

# PROFILI e SISTEMI Schlüter®-Systems

Listino Prezzi PS 25

Svizzera · Valido dal 1 gennaio 2025



# 2025



# Il tuo supporto per il 2025 ...

## Listino prezzi BEKOTEC-THERM



## Listino prezzi LIPROTEC

# ... competenza in tutti i campi

## Prodotti personalizzabili

MyDesign by Schlüter-Systems	16–31	
------------------------------	-------	--

My Schlüter®-KERDI-LINE	32–35	
-------------------------	-------	--

## Profili Schlüter-Systems tecnica ed innovazione

Profili di protezione	36–51	
-----------------------	-------	--

Profili decorativi di chiusura	52–107	
--------------------------------	--------	--

Profili per scale	108–121	
-------------------	---------	--

Giunti di frazionamento, giunti di dilatazione, giunti strutturali, giunti e raccordi perimetrali	122–153	
--	---------	--

Profili a parete ed a pavimento per materiali non rigidi	154–161	
---	---------	--

## Impermeabilizzazione / Desolidarizzazione / Riscaldamento / Drenaggio / Mensole per la doccia / Isolamento acustico / Posa rimovibile

Desolidarizzazione, Impermeabilizzazione, Drenaggio, Sistema di riscaldamento elettrico, Isolamento acustico	162–183	
--	---------	--

Guaina per posa rimovibile	184–185	
----------------------------	---------	--

Impermeabilizzazione a parete e a pavimento, sistemi di scarico, accessori per la doccia	186–263	
---	---------	--

## Sottofondo di posa per piastrelle

Pannelli di sottofondo, set per nicchie, profili ed accessori	264–281	
--	---------	--

## Balconi e terrazzi

Profili per bordi frontali, sistemi di gronda per balconi e terrazzi, supporti per posa galleggiante	282–333	
--	---------	--

## Accessori

Accessori e utensili	334–337	
----------------------	---------	--

## Allegato

Prodotti Schlüter su misura	338–339	
-----------------------------	---------	--

Tabella colori	340–342	
----------------	---------	--

Legenda	346	
---------	-----	--



<b>B</b>	Schlüter®-DILEX-BWB .....	127
Schlüter®-BARA-ESOT .....	Schlüter®-DILEX-BWS .....	127
Schlüter®-BARA-FAP .....	Schlüter®-DILEX-DFP .....	153
Schlüter®-BARA-HV .....	Schlüter®-DILEX-EDP .....	124
Schlüter®-BARA-RAK .....	Schlüter®-DILEX-EF .....	138
Schlüter®-BARA-RAKE .....	Schlüter®-DILEX-EHK .....	145
Schlüter®-BARA-RAKEG .....	Schlüter®-DILEX-EK .....	140
Schlüter®-BARA-RAP .....	Schlüter®-DILEX-EKE .....	138
Schlüter®-BARA-RHA .....	Schlüter®-DILEX-EKSB .....	126
Schlüter®-BARA-RK .....	Schlüter®-DILEX-EMP .....	152
Schlüter®-BARA-RKB .....	Schlüter®-DILEX-EZ 6 + 9 .....	130
Schlüter®-BARA-RKK .....	✦ Schlüter®-DILEX-FCS .....	129
Schlüter®-BARA-RKKE .....	✦ Schlüter®-DILEX-FIS .....	129
Schlüter®-BARA-RKL .....	Schlüter®-DILEX-HK .....	141
Schlüter®-BARA-RKLT .....	Schlüter®-DILEX-HKS .....	144
Schlüter®-BARA-RT .....	Schlüter®-DILEX-HKU .....	146–147
Schlüter®-BARA-RTC .....	Schlüter®-DILEX-HKW .....	142
Schlüter®-BARA-RTK .....	Schlüter®-DILEX-KS .....	125
Schlüter®-BARA-RTKE .....	Schlüter®-DILEX-KSA .....	136
Schlüter®-BARA-RTKEG .....	Schlüter®-DILEX-KSBT .....	132–133
Schlüter®-BARA-RTP .....	✦ Schlüter®-DILEX-MOP .....	153
Schlüter®-BARA-RW .....	Schlüter®-DILEX-MP .....	152
Schlüter®-BARA-RWL .....	Schlüter®-DILEX-RF .....	139
Schlüter®-BARA-STU .....	Schlüter®-DITRA .....	165, 288
Schlüter®-BARIN-R .....	Schlüter®-DITRA-DRAIN 4 .....	181, 289
Schlüter®-BARIN-SR .....	Schlüter®-DITRA-DRAIN 8 .....	181, 290
Schlüter®-BEKOTEC-DRAIN .....	Schlüter®-DITRA-HEAT .....	169
	Schlüter®-DITRA-HEAT-DUO .....	169
<b>C</b>	Schlüter®-DITRA-HEAT-DUO-PS .....	171
Schlüter®-CLEAN-CP .....	Schlüter®-DITRA-HEAT-E-CHC .....	173
	Schlüter®-DITRA-HEAT-E-CT .....	175
<b>D</b>	Schlüter®-DITRA-HEAT-E-DUO-S .....	178
Schlüter®-DECO .....	Schlüter®-DITRA-HEAT-E-DUO-WS .....	179
Schlüter®-DECO-DE .....	Schlüter®-DITRA-HEAT-E-HK .....	172
✦ Schlüter®-DECO-SG .....	Schlüter®-DITRA-HEAT-E-KARO .....	175
Schlüter®-DESIGNBASE-CQ .....	Schlüter®-DITRA-HEAT-E-R .....	174
Schlüter®-DESIGNBASE-SL-A .....	Schlüter®-DITRA-HEAT-E-R3 .....	174
Schlüter®-DESIGNBASE-SL-E .....	Schlüter®-DITRA-HEAT-E-R4 .....	175
Schlüter®-DESIGNLINE .....	Schlüter®-DITRA-HEAT-E-R6 .....	174
Schlüter®-DILEX-AHK .....	Schlüter®-DITRA-HEAT-E-S .....	176
Schlüter®-DILEX-AHK-TS .....	Schlüter®-DITRA-HEAT-E-WS .....	177
Schlüter®-DILEX-AHKA .....	Schlüter®-DITRA-HEAT-E-ZS .....	175
Schlüter®-DILEX-AKWS .....	Schlüter®-DITRA-HEAT-PS .....	171
Schlüter®-DILEX-AS .....	✦ Schlüter®-DITRA-PS .....	167
Schlüter®-DILEX-BT .....	Schlüter®-DITRA-SOUND .....	183
Schlüter®-DILEX-BT/MT .....		
Schlüter®-DILEX-BT/OT .....	<b>E</b>	
Schlüter®-DILEX-BT/VTS .....	Schlüter®-ECK-E .....	93
Schlüter®-DILEX-BTO .....	Schlüter®-ECK-K .....	94
Schlüter®-DILEX-BTS .....	Schlüter®-ECK-KHK .....	95, 143
Schlüter®-DILEX-BWA .....		
	<b>F</b>	
	Schlüter®-FINEC-A .....	90
	Schlüter®-FINEC-E .....	87
	Schlüter®-FINEC-SQ .....	85–86
	Schlüter®-FINEC-TS .....	88–89
	<b>I</b>	
	Schlüter®-INDEC .....	92
	<b>J</b>	
	Schlüter®-JOLLY .....	77
	Schlüter®-JOLLY-A .....	80–81
	Schlüter®-JOLLY-AC .....	82
	Schlüter®-JOLLY-P .....	83
	Schlüter®-JOLLY-TS .....	78–79
	<b>K</b>	
	Schlüter®-KERDI .....	188, 289
	Schlüter®-KERDI-BOARD .....	267
	Schlüter®-KERDI-BOARD-E .....	276
	Schlüter®-KERDI-BOARD-N .....	270–271
	Schlüter®-KERDI-BOARD-NLT .....	272–273
	Schlüter®-KERDI-BOARD-NLT-BR .....	274–275
	Schlüter®-KERDI-BOARD-U .....	276
	Schlüter®-KERDI-BOARD-V .....	276
	Schlüter®-KERDI-BOARD-W .....	269
	Schlüter®-KERDI-BOARD-ZA .....	279
	Schlüter®-KERDI-BOARD-ZB .....	279
	Schlüter®-KERDI-BOARD-ZC .....	278
	Schlüter®-KERDI-BOARD-ZDK .....	281
	Schlüter®-KERDI-BOARD-ZFP .....	281
	Schlüter®-KERDI-BOARD-ZS .....	280
	Schlüter®-KERDI-BOARD-ZSA .....	281
	Schlüter®-KERDI-BOARD-ZSD .....	280
	Schlüter®-KERDI-BOARD-ZT .....	280
	Schlüter®-KERDI-BOARD-ZW .....	278
	Schlüter®-KERDI-CID .....	193
	Schlüter®-KERDI-COLL-L .....	196, 277
	Schlüter®-KERDI-CP .....	195
	Schlüter®-KERDI-DRAIN .....	248
	Schlüter®-KERDI-DRAIN (interno) .....	237–245
	Schlüter®-KERDI-DRAIN (esterno) .....	303–309
	Schlüter®-KERDI-DRAIN Set .....	249
	Schlüter®-KERDI-DRAIN-BASE .....	246
	Schlüter®-KERDI-DRAIN-BS .....	247
	Schlüter®-KERDI-DRAIN-KD 10 .....	246
	Schlüter®-KERDI-DRAIN-KD 10 SF .....	247
	Schlüter®-KERDI-DRAIN-R 10 GT .....	246
	Schlüter®-KERDI-DRAIN-R/-RL .....	248
	Schlüter®-KERDI-DRAIN-SP-E .....	302
	Schlüter®-KERDI-DRAIN-ZBS .....	222, 247
	Schlüter®-KERDI-FIX .....	121, 196

Schlüter®-KERDI-FLEX.....	189
Schlüter®-KERDI-KEBA.....	189, 277
Schlüter®-KERDI-KERECK.....	190
Schlüter®-KERDI-KERECK-F.....	190
Schlüter®-KERDI-KERS.....	190
Schlüter®-KERDI-KM.....	192
Schlüter®-KERDI-LINE-A Set.....	227
Schlüter®-KERDI-LINE-A/-B/-C.....	218-220
Schlüter®-KERDI-LINE-BS.....	222
Schlüter®-KERDI-LINE-D.....	221
Schlüter®-KERDI-LINE-D-G3.....	226
Schlüter®-KERDI-LINE-F 40.....	210
Schlüter®-KERDI-LINE-F 50.....	211
Schlüter®-KERDI-LINE-F-G3.....	226
Schlüter®-KERDI-LINE-FC.....	221
Schlüter®-KERDI-LINE-G3.....	224-225
Schlüter®-KERDI-LINE-GTM.....	223, 247
Schlüter®-KERDI-LINE-GTO.....	222
Schlüter®-KERDI-LINE-H.....	212
Schlüter®-KERDI-LINE-H 50 G2.....	213
Schlüter®-KERDI-LINE-SR.....	223
Schlüter®-KERDI-LINE-STYLE.....	217
Schlüter®-KERDI-LINE-V.....	214-215
Schlüter®-KERDI-LINE-V 50 G2.....	216
Schlüter®-KERDI-LINE-VARIO COVE.....	205
Schlüter®-KERDI-LINE-VARIO WAVE.....	202
Schlüter®-KERDI-LINE-VARIO-DSE.....	206
Schlüter®-KERDI-LINE-VARIO-H 40.....	200
Schlüter®-KERDI-LINE-VARIO-H 50.....	201
Schlüter®-KERDI-LINE-VARIO-S.....	206
Schlüter®-KERDI-MV.....	191
Schlüter®-KERDI-PAS.....	191
Schlüter®-KERDI-SHOWER-LT.....	228
Schlüter®-KERDI-SHOWER-LTS.....	229
Schlüter®-KERDI-SHOWER-SK/-SKB.....	250
Schlüter®-KERDI-SHOWER-T.....	251
Schlüter®-KERDI-SHOWER-TS.....	251
Schlüter®-KERDI-SHOWER-TT.....	252
Schlüter®-KERDI-TS.....	194
Schlüter®-KERDI-TS-ZC.....	195
<b>P</b>	
Schlüter®-PROCUT-PSF.....	337
Schlüter®-PROCUT-TSM.....	337
<b>Q</b>	
Schlüter®-QUADEC-A.....	60-61
Schlüter®-QUADEC-AC.....	63
Schlüter®-QUADEC-E.....	56-57
Schlüter®-QUADEC-FS.....	97
Schlüter®-QUADEC-MC.....	55
Schlüter®-QUADEC-PQ.....	64
Schlüter®-QUADEC-TS.....	58-59
<b>R</b>	
Schlüter®-REFLEECE.....	185
Schlüter®-REMA.....	336
Schlüter®-RENO-RAMP.....	50
Schlüter®-RENO-RAMP-K.....	50
Schlüter®-RENO-T.....	51
Schlüter®-RENO-TK.....	46
Schlüter®-RENO-U.....	49
Schlüter®-RENO-V.....	47
Schlüter®-RENO-VB.....	48
Schlüter®-RENO-VT.....	48, 134
Schlüter®-RONDEC-A.....	70-71
Schlüter®-RONDEC-AC.....	72
Schlüter®-RONDEC-DB.....	73
Schlüter®-RONDEC-E.....	66-67
Schlüter®-RONDEC-MC.....	65
Schlüter®-RONDEC-PRG.....	75
Schlüter®-RONDEC-PRO.....	74
Schlüter®-RONDEC-STEP.....	104
Schlüter®-RONDEC-STEP-CT.....	105
Schlüter®-RONDEC-TS.....	68-69
Schlüter®-RUMA.....	336
<b>S</b>	
Schlüter®-SCHIENE.....	39-40
Schlüter®-SCHIENE-A.....	42-43
Schlüter®-SCHIENE-AC.....	43
Schlüter®-SCHIENE-BASIC.....	45
Schlüter®-SCHIENE-ES.....	44
Schlüter®-SCHIENE-STEP.....	107
Schlüter®-SCHIENE-STEP-EB.....	106-107
Schlüter®-SCHIENE-TS.....	40-41
Schlüter®-SCHIENE-V.....	45
Schlüter®-SHELF-E-S1.....	254-255
Schlüter®-SHELF-E-S2.....	256-257
Schlüter®-SHELF-E-S3.....	258-259
Schlüter®-SHELF-N.....	260-261
Schlüter®-SHELF-W.....	262-263
Schlüter®-SHOWERPROFILE-R.....	232
Schlüter®-SHOWERPROFILE-S.....	230
Schlüter®-SHOWERPROFILE-WS.....	233
Schlüter®-SHOWERPROFILE-WSK.....	234
<b>T</b>	
Schlüter®-TERRAZZO.....	51
Schlüter®-TREP-E.....	115
Schlüter®-TREP-EFK.....	119
Schlüter®-TREP-EK.....	119
Schlüter®-TREP-FL.....	117
Schlüter®-TREP-G/-GL.....	116
Schlüter®-TREP-GK/-GLK.....	120
Schlüter®-TREP-S/-B.....	113
Schlüter®-TREP-V.....	111
Schlüter®-TROBA.....	293
Schlüter®-TROBA-LEVEL-AP 1.....	297
Schlüter®-TROBA-LEVEL-LV 3.....	298
Schlüter®-TROBA-LEVEL-PL 10.....	296
Schlüter®-TROBA-LEVEL-PLA 30.....	297
Schlüter®-TROBA-LEVEL-PLA 70.....	298
Schlüter®-TROBA-LEVEL-PLS 6.....	298
Schlüter®-TROBA-LEVEL-PLV 60.....	297
Schlüter®-TROBA-LINE-TL.....	299-300
Schlüter®-TROBA-LINE-TL/H.....	302
Schlüter®-TROBA-LINE-TLK-E.....	302
Schlüter®-TROBA-LINE-TLR.....	300
Schlüter®-TROBA-LINE-TLR-E.....	301
Schlüter®-TROBA-PLUS.....	291
Schlüter®-TROBA-PLUS-G.....	292
Schlüter®-TROBA-STELZ-DR.....	294
Schlüter®-TROBA-STELZ-MR.....	294
Schlüter®-TROBA-ZFK.....	293
Schlüter®-TROWEL.....	336
<b>V</b>	
Schlüter®-VINPRO-RO.....	159
Schlüter®-VINPRO-S.....	158
Schlüter®-VINPRO-STEP.....	160
Schlüter®-VINPRO-STEP-R.....	161
Schlüter®-VINPRO-T.....	156
Schlüter®-VINPRO-U.....	157
<b>W</b>	
Schlüter®-WINKEL.....	48



## PROFILI DI PROTEZIONE



Schlüter®-SCHIENE  
Pagina 39-43



Schlüter®-SCHIENE-ES  
Pagina 44



Schlüter®-SCHIENE-BASIC  
Pagina 45



Schlüter®-SCHIENE-V  
Pagina 45



Schlüter®-RENO-TK  
Pagina 46



Schlüter®-RENO-V  
Pagina 47



Schlüter®-RENO-U  
Pagina 49



Schlüter®-RENO-RAMP  
Pagina 50



Schlüter®-RENO-RAMP-K  
Pagina 50



Schlüter®-RENO-T  
Pagina 51



Schlüter®-TERRAZZO  
Pagina 51

## PROFILI DECORATIVI DI CHIUSURA



Schlüter®-QUADEC  
Pagina 55-64



Schlüter®-RONDEC  
Pagina 65-75



Schlüter®-JOLLY  
Pagina 77-83



Schlüter®-FINEC  
Pagina 85-90



Schlüter®-DECO  
Pagina 91-92



Schlüter®-INDEC  
Pagina 92



Schlüter®-ECK  
Pagina 93-94



Schlüter®-ECK-KHK  
Pagina 95, 143



Schlüter®-DESIGNLINE  
Pagina 96



Schlüter®-QUADEC-FS  
Pagina 97



Schlüter®-DECO-SG  
Pagina 98, 235-236



★ Schlüter®-DESIGNBASE  
Pagina 99-102



Schlüter®-RONDEC-STEP  
Pagina 104-105



Schlüter®-SCHIENE-STEP  
Pagina 106-107

## PROFILI PER SCALE



Schlüter®-TREP-V  
Pagina 111



Schlüter®-TREP-S/-B  
Pagina 113



Schlüter®-TREP-TAP  
Pagina 113



Schlüter®-TREP-E  
Pagina 115



Schlüter®-TREP-G/-GL  
Pagina 116



Schlüter®-TREP-FL  
Pagina 117



Schlüter®-TREP-EK  
Pagina 119



Schlüter®-TREP-EFK  
Pagina 119



Schlüter®-TREP-GK/-GLK  
Pagina 120

## GIUNTI DI FRAZIONAMENTO, GIUNTI DI DILATAZIONE, GIUNTI STRUTTURALI, GIUNTI E RACCORDI PERIMETRALI



Schlüter®-DILEX-EDP  
Pagina 124



Schlüter®-DILEX-KS  
Pagina 125



Schlüter®-DILEX-EKSB  
Pagina 126



Schlüter®-DILEX-AKWS  
Pagina 126



Schlüter®-DILEX-BWB  
Pagina 127



Schlüter®-DILEX-BWS  
Pagina 127



Schlüter®-DILEX-F  
Pagina 129



★ Schlüter®-DILEX-EZ 6 + 9  
Pagina 130



Schlüter®-DILEX-BT  
Pagina 130



Schlüter®-DILEX-BTO  
Pagina 131



Schlüter®-DILEX-BTS  
Pagina 131



Schlüter®-DILEX-KSBT  
Pagina 132-133



Schlüter®-DILEX-KSA  
Pagina 136



Schlüter®-DILEX-BWA  
Pagina 137



Schlüter®-DILEX-AS  
Pagina 137



Schlüter®-DILEX-EF  
Pagina 138



## GIUNTI DI FRAZIONAMENTO, GIUNTI DI DILATAZIONE, GIUNTI STRUTTURALI, GIUNTI E RACCORDI PERIMETRALI (SEGUE DALLA PAG. PRECEDENTE)



**Schlüter®-DILEX-EKE**  
Pagina 138



**Schlüter®-DILEX-RF**  
Pagina 139



**Schlüter®-DILEX-EK**  
Pagina 140



**Schlüter®-DILEX-HK**  
Pagina 141



**Schlüter®-DILEX-HKW**  
Pagina 142



**Schlüter®-DILEX-HKS**  
Pagina 144



**Schlüter®-DILEX-EHK**  
Pagina 145



**Schlüter®-DILEX-HKU**  
Pagina 146-147



**Schlüter®-DILEX-AHK-TS**  
Pagina 148



**Schlüter®-DILEX-AHK**  
Pagina 149-150



**Schlüter®-DILEX-AHKA**  
Pagina 150-151



**Schlüter®-DILEX-EMP**  
Pagina 152



**Schlüter®-DILEX-MP**  
Pagina 152



**Schlüter®-DILEX-MOP**  
Pagina 153



 **Schlüter®-DILEX-DFP**  
Pagina 153

## PROFILI A PARETE ED A PAVIMENTO PER MATERIALI NON RIGIDI



**Schlüter®-VINPRO-T**  
Pagina 156



**Schlüter®-VINPRO-U**  
Pagina 157



**Schlüter®-VINPRO-S**  
Pagina 158



**Schlüter®-VINPRO-RO**  
Pagina 159



**Schlüter®-VINPRO-STEP**  
Pagina 160



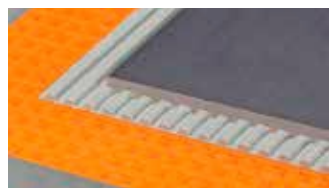
**Schlüter®-VINPRO-STEP-R**  
Pagina 161



## DESOLIDARIZZAZIONE, IMPERMEABILIZZAZIONE, DRENAGGIO, SISTEMA DI RISCALDAMENTO ELETTRICO, ISOLAMENTO ACUSTICO



**Schlüter®-DITRA**  
Pagina 165, 288



**Schlüter®-DITRA-PS**  
Pagina 167



**Schlüter®-DITRA-HEAT / -DUO**  
Pagina 169



**Schlüter®-DITRA-HEAT-PS / -DUO-PS**  
Pagina 171



**Schlüter®-DITRA-HEAT-E Accessori**  
Pagina 172-175



**Schlüter®-DITRA-HEAT-E Sets**  
Pagina 176-179



**Schlüter®-DITRA-DRAIN**  
Pagina 181, 289-290



**Schlüter®-DITRA-SOUND**  
Pagina 183

## GUAINA PER POSA RIMOVIBILE

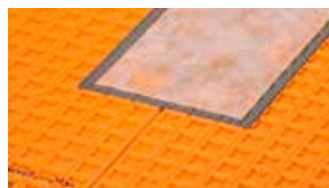


**Schlüter®-REFLEECE**  
Pagina 185

## IMPERMEABILIZZAZIONE A PARETE E A PAVIMENTO, SISTEMI DI SCARICO, ACCESSORI PER LA DOCCIA



**Schlüter®-KERDI**  
Pagina 188, 289



**Schlüter®-KERDI-KEBA/-FLEX**  
Pagina 189, 277



**Schlüter®-KERDI-KERECK / -F**  
Pagina 190



**Schlüter®-KERDI-KERS**  
Pagina 190



**Schlüter®-KERDI-MV/-PAS**  
Pagina 191



**Schlüter®-KERDI-KM**  
Pagina 192



**Schlüter®-KERDI-CID**  
Pagina 193



**Schlüter®-KERDI-TS / -ZC**  
Pagina 194-195



**Schlüter®-KERDI-CP**  
Pagina 195



**Schlüter®-KERDI-COLL-L**  
Pagina 196, 277



**Schlüter®-KERDI-FIX**  
Pagina 121, 196



**Schlüter®-KERDI-LINE-VARIO**  
Pagina 200-206



**IMPERMEABILIZZAZIONE A PARETE E A PAVIMENTO,  
SISTEMI DI SCARICO, ACCESSORI PER LA DOCCIA (SEGUE DALLA PAG. PRECEDENTE)**



**Schlüter®-KERDI-LINE**  
Pagina 210-216, 224-225



**Schlüter®-KERDI-LINE-STYLE**  
Pagina 217



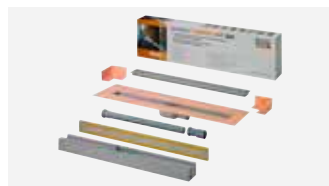
**Schlüter®-KERDI-LINE-A/-B/-C**  
Pagina 218-220



**Schlüter®-KERDI-LINE-FC**  
Pagina 221



**Schlüter®-KERDI-LINE-D / -G3**  
Pagina 221, 226



**Schlüter®-KERDI-LINE-A Sets**  
Pagina 227



**Schlüter®-KERDI-LINE Accessori**  
Pagina 222-223



**Schlüter®-KERDI-LINE-SR**  
Pagina 223



**Schlüter®-KERDI-SHOWER-LT/-LTS**  
Pagina 228-229



**Schlüter®-SHOWERPROFILE-S**  
Pagina 230-231



**Schlüter®-SHOWERPROFILE-R**  
Pagina 232



**Schlüter®-SHOWERPROFILE-WS/-WSK**  
Pagina 233-234



**Schlüter®-DECO-SG/-SGC**  
Pagina 98, 235-236



**Schlüter®-KERDI-DRAIN (interno)**  
Pagina 237-245



**Schlüter®-KERDI-DRAIN Accessori**  
Pagina 246-248



**Schlüter®-KERDI-DRAIN Sets (interno)**  
Pagina 249



**Schlüter®-KERDI-SHOWER-SK/-SKB**  
Pagina 250



**Schlüter®-KERDI-SHOWER-T/-TS/-TT**  
Pagina 251-252



**Schlüter®-SHELF-E-S1**  
Pagina 254-255



**Schlüter®-SHELF-E-S2**  
Pagina 256-257



**Schlüter®-SHELF-E-S3**  
Pagina 258-259



**Schlüter®-SHELF-N**  
Pagina 260-261



**Schlüter®-SHELF-W**  
Pagina 262-263

## SOTTOFONDO PER RIVESTIMENTI IN CERAMICA



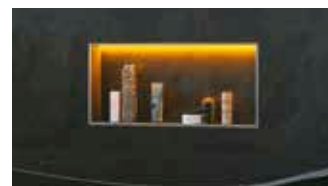
**Schlüter®-KERDI-BOARD**  
Pagina 267



**Schlüter®-KERDI-BOARD-W**  
Pagina 269



**Schlüter®-KERDI-BOARD-N**  
Pagina 270–271



**Schlüter®-KERDI-BOARD-NLT/-NLT-BR**  
Pagina 272–275



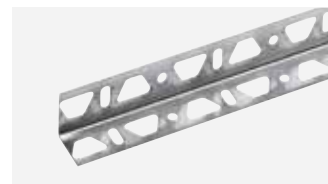
**Schlüter®-KERDI-BOARD-V**  
Pagina 276



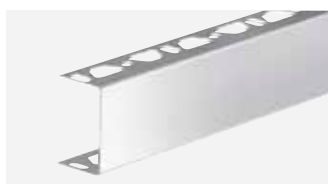
**Schlüter®-KERDI-BOARD-E**  
Pagina 276



**Schlüter®-KERDI-BOARD-U**  
Pagina 276



**Schlüter®-KERDI-BOARD-ZW**  
Pagina 278



**Schlüter®-KERDI-BOARD-ZC**  
Pagina 278



**Schlüter®-KERDI-BOARD-ZA**  
Pagina 279



**Schlüter®-KERDI-BOARD-ZB**  
Pagina 279



**Schlüter®-KERDI-BOARD Accessori**  
Pagina 280



**Schlüter®-KERDI-BOARD-ZDK**  
Pagina 281



**Schlüter®-KERDI-BOARD-ZSA**  
Pagina 281



**Schlüter®-KERDI-BOARD-ZFP**  
Pagina 281

## BALCONI E TERRAZZI CON I SISTEMI SCHLÜTER®-SYSTEMS



**Schlüter®-BEKOTEC-DRAIN**  
Pagina 290



**Schlüter®-TROBA-PLUS**  
Pagina 291



**Schlüter®-TROBA-PLUS-G**  
Pagina 292



**Schlüter®-TROBA**  
Pagina 293



**Schlüter®-TROBA-ZFK**  
Pagina 293



**Schlüter®-TROBA-STELZ**  
Pagina 294



**Schlüter®-TROBA-LEVEL**  
Pagina 296–298



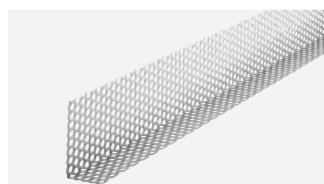
**Schlüter®-TROBA-LINE-TL**  
Pagina 299–300



**Schlüter®-TROBA-LINE-TLR**  
Pagina 300



**Schlüter®-TROBA-LINE-TLR-E**  
Pagina 301



**Schlüter®-TROBA-LINE-TLK-E**  
Pagina 302



**Schlüter®-TROBA-LINE-TL/H**  
Pagina 302



## BALCONI E TERRAZZI CON I SISTEMI SCHLÜTER®-SYSTEMS (SEGUE DALLA PAG. PRECEDENTE)



Schlüter®-KERDI-DRAIN-SP-E  
Pagina 302



Schlüter®-KERDI-DRAIN (esterno)  
Pagina 303-308



Schlüter®-KERDI-DRAIN Sets (esterno)  
Pagina 309



Schlüter®-BARA-RTK  
Pagina 311



Schlüter®-BARA-RTKE  
Pagina 312



Schlüter®-BARA-RTKEG  
Pagina 313



Schlüter®-BARA-RAK  
Pagina 315



Schlüter®-BARA-RAKE  
Pagina 316



Schlüter®-BARA-RAKEG  
Pagina 317



Schlüter®-BARA-RKK  
Pagina 318



Schlüter®-BARA-RW  
Pagina 319



Schlüter®-BARA-RKKE  
Pagina 320



Schlüter®-BARA-RKB  
Pagina 321



Schlüter®-BARA-RT  
Pagina 322



Schlüter®-BARA-RTC  
Pagina 323



Schlüter®-BARA-RK  
Pagina 324



Schlüter®-BARA-RWL  
Pagina 325



Schlüter®-BARA-RHA  
Pagina 325



Schlüter®-BARA-RKL  
Pagina 326-327



Schlüter®-BARA-HV  
Pagina 327



Schlüter®-BARA-RAP  
Pagina 328



Schlüter®-BARA-FAP  
Pagina 328



Schlüter®-BARA-RKLT  
Pagina 329



Schlüter®-BARA-RTP  
Pagina 330



Schlüter®-BARA-ESOT  
Pagina 331



Schlüter®-BARA-STU  
Pagina 331



Schlüter®-BARIN  
Pagina 332-333

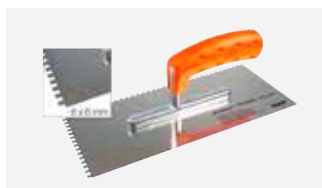
## ACCESSORI



**Schlüter®-REMA**  
Pagina 336



**Schlüter®-RUMA**  
Pagina 336



**Schlüter®-TROWEL**  
Pagina 336



**Schlüter®-PROCUT-PSF**  
Pagina 337



**Schlüter®-PROCUT-TSM**  
Pagina 337



**Schlüter®-CLEAN-CP**  
Pagina 337



# Schlüter®-Systems

Unici come i nostri clienti

Esigenze particolari richiedono soluzioni specifiche. Schlüter-Systems è attenta da sempre alle vostre esigenze e per questo vi offre una vasta gamma di soluzioni per dare una nota di carattere ai vostri ambienti. Dalle canaline con incisioni personalizzate, tramite profili e mensole con finiture particolari a richiesta del cliente, fino ai prodotti con stampe speciali: molti dei nostri prodotti possono essere adattati alle precise richieste di architetti e progettisti – e non solo per grandi quantitativi ma anche per pochi pezzi. Avete un progetto con esigenze particolari? Il nostro ufficio tecnico è a vostra disposizione per analizzarne la fattibilità.



Colori RAL

MyDesign by Schlüter-Systems

16–24

Digital Printing personalizzato

MyDesign by Schlüter-Systems

26–31

Incisione

My Schlüter®-KERDI-LINE

32–35





# MyDesign by Schlüter-Systems

## Profili e SHELF nel colore che volete, solo per voi.

Schlüter-Systems offre una vasta scelta di profili, accessori e mensole per doccia in diversi materiali, finiture e colori. Schlüter-TRENDLINE, la nostra serie più amata, offre delle gamme di colori appositamente studiate per abbinarsi alla maggior parte delle piastrelle oggi presenti sul mercato.

Tuttavia, in casi particolari, architetti e committenti potrebbero avere l'esigenza di impiegare finiture in colori non presenti nelle gamme Schlüter. Pensiamo, ad esempio, all'integrazione dei profili in contesti cromatici particolari per progetti specifici o per seguire un determinato Corporate Design.

Con MyDesign by Schlüter-Systems è possibile crearsi un colore personalizzato! Potete realizzare, su richiesta, una vasta gamma di prodotti personalizzati con il vostro colore preferito, scegliendo tra i 190 colori RAL Classic.

Nelle pagine seguenti trovate la lista dei profili e di altri prodotti adatti a questa personalizzazione e vi illustriamo come li potete ordinare. Per qualsiasi domanda sul nuovo sistema MyDesign by Schlüter-Systems potete inoltre rivolgervi ai nostri consulenti ed al nostro ufficio tecnico che sono sempre a vostra disposizione. Trovate i dati di contatto sul nostro sito web. Schlüter-MyDesign: realizzare i tuoi progetti come vuoi tu.









# MyDesign by Schlüter-Systems

Facile da ordinare. Proprio come lo vuoi tu.

Scopri nelle pagine seguenti quali prodotti possono essere realizzati con MyDesign by Schlüter-Systems nel tuo colore RAL Classic preferito. Per ogni ordine con colorazione personalizzata viene addebitato un costo di attrezzaggio una tantum. All'interno di un unico ordine può essere scelta una serie illimitata di articoli diversi, tra profili, accessori e mensole SHELF, sempre dello stesso colore. Il costo di attrezzaggio dell'impianto MyDesign è di 424,59 CHF per ciascun colore e viene applicato per ogni singolo ordine.

Per calcolare il costo complessivo di un vostro ordine con colore personalizzato MyDesign seguite i quattro passaggi indicati qui di seguito nella sezione "Quotazione".

## Ordine

**Tre passaggi per creare il tuo ordine MyDesign:**

1. Scegliere un prodotto personalizzabile MyDesign      ad es. **QUADEC-AC (C / Q ...\* A)**
2. Scegliere l'altezza | inserirla nel cod. art.              ad. es. **4,5 mm | C / Q 45 A**
3. Scegliere la tonalità RAL-Classic  
per la tua personalizzazione ed indicala nell'ordine      ad. es. **RAL 6001**

In caso di dubbi, il nostro rivenditore di zona vi potrà assistere nella composizione dell'ordine.  
Trovate tutte le informazioni sul nostro sito internet dedicato <https://qr.schluter.it/mydesign.aspx>

## Quotazione

**Quattro passaggi per calcolare il prezzo del vostro ordine:**

1. Selezionare il prezzo del prodotto desiderato (profilo, accessori o mensola)\*\*
2. MyDesign supplemento A | B                                      **A 3,65 CHF | B 7,28 CHF**  
(da applicare al pezzo o al metro, a seconda dell'unità di vendita dell'articolo)
3. Costo "una tantum" MyDesign  
(si paga una volta sola per ciascun colore e per ciascun ordine)      **424,59 CHF\***
4. Se vi occorre la lavorazione per curvabilità/angoli speciali,  
trovate la maggiorazione alle pagine 338.

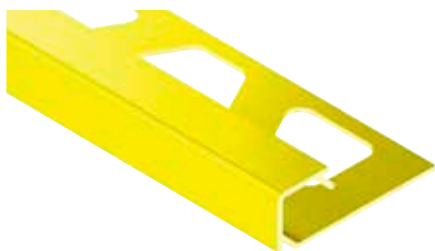
\* non soggetto a sconto

\*\* prendere come riferimento i prezzi dei prodotti con la superficie AC

## Tabella di calcolo del costo complessivo/per ordine

1. Prodotto	2. Supplemento	3. Una tantum	Quotazione
<input type="text"/>	<input type="text"/>	<input type="text"/>	<input type="text"/>
<input type="text"/>	<input type="text"/>	<input type="text"/>	<input type="text"/>
<input type="text"/>	<input type="text"/>	<input type="text"/>	<input type="text"/>
<input type="text"/>	<input type="text"/>	<input type="text"/>	<input type="text"/>
<input type="text"/>	<input type="text"/>	<input type="text"/>	<input type="text"/>
<input type="text"/>	<input type="text"/>	<input type="text"/>	<input type="text"/>

## Profilo di chiusura | Angolo



### Schlüter®-QUADEC-AC

alluminio colorato  
 profili con lunghezze: 2,50 m/3,00 m, altezze: 4,5 mm, 6 mm, 8 mm, 10 mm, 11 mm, 12,5 mm  
 angolo esterno/interno 90° con altezze: 4,5 mm, 6 mm, 8 mm, 10 mm, 11 mm, 12,5 mm

Caratteristiche	Cod. Art.	Supplemento MyDesign
profilo 2,50 m (4,5–12,5 mm)	C / Q ...* A	A
profilo 3,00 m (6–12,5 mm)	C / Q ...* A/300	A
profilo 2,50 m, lavorazione per curvabilità (4,5–12,5 mm)	C / R / Q ...* A	A
profilo 3,00 m, lavorazione per curvabilità (6–12,5 mm)	C / R / Q ...* A/300	A
angolo esterno/interno 90° (4,5–12,5 mm)	C / EV / Q ...* A	A

\* Completare il Cod. Art. con l'altezza (ad. es. C / Q 45 A)

Trovate la gamma completa dei prodotti Schlüter-QUADEC-AC personalizzabili con i colori MyDesign a pag. 63.

## Profilo di chiusura | Angolo



### Schlüter®-RONDEC-AC

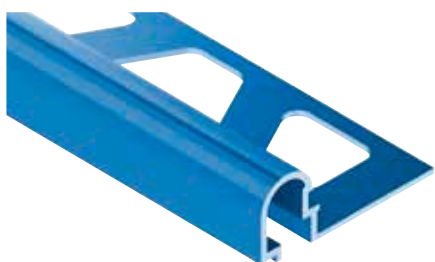
alluminio colorato  
 profili con lunghezze: 2,50 m/3,00 m, altezze: 6 mm, 8 mm, 10 mm, 11 mm, 12,5 mm  
 angoli esterni 90°, angoli interni 90° con altezze: 6 mm, 8 mm, 10 mm, 11 mm, 12,5 mm

Caratteristiche	Cod. Art.	Supplemento MyDesign
profilo 2,50 m (6–12,5 mm)	C / RO ...* A	A
profilo 3,00 m (6–12,5 mm)	C / RO ...* A/300	A
profilo 2,50 m, lavorazione per curvabilità (6–12,5 mm)	C / R / RO ...* A	A
profilo 3,00 m, lavorazione per curvabilità (6–12,5 mm)	C / R / RO ...* A/300	A
angolo esterno 90° (6–12,5 mm)	C / EV / RO ...* A	A
angolo interno 90° (6–12,5 mm)	C / IV / RO ...* A	A

\* Completare il Cod. Art. con l'altezza (ad. es. C / RO 60 A)

Trovate la gamma completa dei prodotti Schlüter-RONDEC-AC personalizzabili con i colori MyDesign a pag. 72 (profili) e a pag. 71 (angoli).

## Profilo di chiusura



### Schlüter®-RONDEC-DB-AC

alluminio colorato  
 profili nella lunghezza: 2,50 m

Caratteristiche	Cod. Art.	Supplemento MyDesign
profilo 2,50 m	C / DB 14 A	A

Trovate la gamma completa dei prodotti Schlüter-RONDEC-DB personalizzabili con i colori MyDesign a pag. 73.

## Profilo di chiusura | Angolo



### Schlüter®-JOLLY-AC

alluminio colorato  
 profili con lunghezze: 2,50 m, altezze: 6 mm, 8 mm, 10 mm, 11 mm, 12,5 mm, 14 mm, 16 mm, 21 mm  
 profili nella lunghezza: 3,00 m, altezze: 6 mm, 8 mm, 10 mm, 11 mm, 12,5 mm  
 angoli esterni 90° con altezze: 6 mm, 8 mm, 10 mm, 11 mm, 12,5 mm, 14 mm, 16 mm, 21 mm

Caratteristiche	Cod. Art.	Supplemento MyDesign
profilo 2,50 m (6–21 mm)	C / J ...* A	A
profilo 3,00 m (6–12,5 mm)	C / J ...* A/300	A
profilo 2,50 m, lavorazione per curvabilità (6–21 mm)	C / R / J ...* A	A
profilo 3,00 m, lavorazione per curvabilità (6–12,5 mm)	C / R / J ...* A/300	A
angolo esterno 90° (6–21 mm)	C / EV / J ...* A	A

\* Completare il Cod. Art. con l'altezza (ad. es. C / J 60 A)

Trovate la gamma completa dei prodotti Schlüter-JOLLY-AC personalizzabile con i colori My Design a pag. 82.



## Profilo di chiusura | Angolo



### Schlüter®-FINEC-SQ-AC

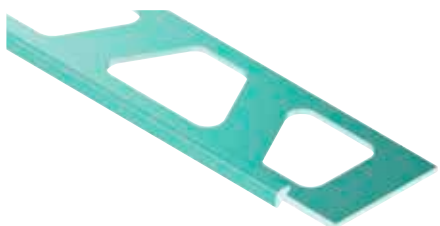
alluminio colorato  
 profili nella lunghezza: 2,50 m, altezze: 11 mm, 12,5 mm, 15 mm  
 angolo esterno/interno 90° con altezze: 4,5 mm

Caratteristiche	Cod. Art.	Supplemento MyDesign
profilo 2,50 m (11–15 mm)	C / FSQ ...* A	A
angolo esterno/interno 90° (4,5 mm)	C / EV / Q 45 A	A

\* Completare il Cod. Art. con l'altezza (ad es. C / F SQ 110 A)

Trovate la gamma completa dei prodotti Schlüter-FINEC-SQ personalizzabili con i colori MyDesign alle pagg. 85–86.

## Profilo di chiusura | Set angoli



### Schlüter®-FINEC-AC

alluminio colorato  
 profili con lunghezza: 2,50 m, altezze: 2,5 mm, 4,5 mm, 7 mm, 9 mm, 11 mm, 12,5 mm  
 set angoli con altezze: 2,5 mm, 4,5 mm, 7 mm, 9 mm, 11 mm, 12,5 mm

Caratteristiche	Cod. Art.	Supplemento MyDesign
profilo 2,50 m (2,5–12,5 mm)	C / F ...* A	A
set angoli (2,5–12,5 mm)	C / ES / F ...* A	A

\* Completare il Cod. Art. con l'altezza (ad es. C / F 25 A)

Trovate la gamma completa dei prodotti Schlüter-FINEC-A personalizzabili con i colori MyDesign a pag. 90.

## Profilo di chiusura



### Schlüter®-DECO-AC



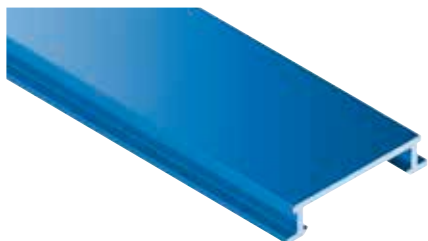
alluminio colorato  
 profili nella lunghezza: 2,50 m, altezze: 8 mm, 10 mm, 12,5 mm

Caratteristiche	Cod. Art.	Supplemento MyDesign
profilo 2,50 m (8–12,5 mm)	C / A ...* D	A
profilo 2,50 m, lavorazione per curvabilità (8–12,5 mm)	C / R / A ...* D	A

\* Completare il Cod. Art. con l'altezza (ad es. C / A 80 D)

Trovate la gamma completa dei prodotti Schlüter-DECO personalizzabili con i colori MyDesign a pag. 91.

## Profilo decorativo



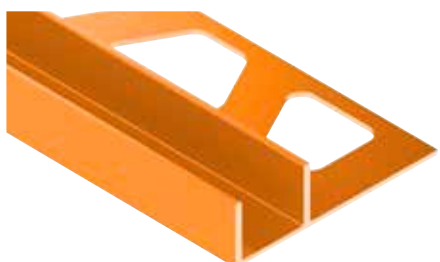
### Schlüter®-DESIGNLINE-AC

alluminio colorato  
 profili nella lunghezza: 2,50 m

Caratteristiche	Cod. Art.	Supplemento MyDesign
profilo 2,50 m	C / DL 625 A	A

Trovate la gamma completa dei prodotti Schlüter-DESIGNLINE personalizzabili con i colori MyDesign a pag. 96.

## Profilo di alloggiamento



### Schlüter®-DECO-SG-AC

alluminio colorato, larghezza: 12 mm / 15 mm  
 profili nella lunghezza: 2,50 m, altezze: 8 mm, 10 mm, 11 mm, 12,5 mm

Caratteristiche	Cod. Art.	Supplemento MyDesign
profilo 2,50 m (8–12,5 mm), larghezza 12 mm	C / SG ...* A 12	A
profilo 2,50 m (8–12,5 mm), larghezza 15 mm	C / SG ...* A 15	A

\* Completare il Cod. Art. con l'altezza (ad es. C / SG 80 A 12)

Trovate la gamma completa dei prodotti Schlüter-DECO-SG personalizzabili con i colori MyDesign a pag. 98.



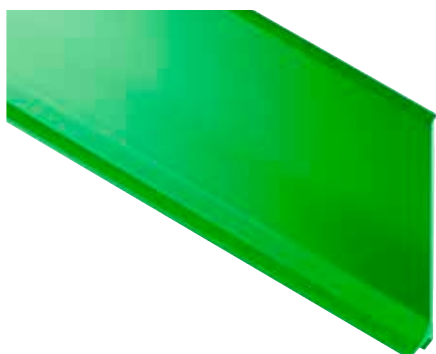
**YELLOW**

**Y**

**HOTELS**



## Profilo per battiscopa | Angolo | Terminale | Innesto



### Schlüter®-DESIGNBASE-SL-AC

alluminio colorato  
 profili con lunghezza: 2,50 m, altezze: 60 mm, 80 mm  
 angolo esterno 90°, angolo interno 90°, terminale sinistro, terminale destro, innesto con altezze: 60 mm, 80 mm

Caratteristiche	Cod. Art.	Supplemento MyDesign
profilo 2,50 m (60–80 mm)	C / DB SL ...* A	A
angolo esterno 90° (60–80 mm)	C / ED / DB SL ...* A	A
angolo interno 90° (60–80 mm)	C / ID / DB SL ...* A	A
terminale sinistro (60–80 mm)	C / EL / DB SL ...* A	A
terminale destro (60–80 mm)	C / ER / DB SL ...* A	A
innesto (60–80 mm)	C / V / DB SL ...* A	A

\* Completare il Cod. Art. con l'altezza (ad es. C / DB SL 60 A)

Trovate la gamma completa dei prodotti Schlüter-DESIGNBASE-SL-A personalizzabili con i colori MyDesign alle pagg. 100–101.

## Mensole



### Schlüter®-SHELF-E-S1-AC

alluminio colorato  
 mensole nei design: FLORAL, CURVE, PURE, SQUARE, WAVE

Caratteristiche	Cod. Art.	Supplemento MyDesign
Design FLORAL	C / SE S1 D5 A	B
Design CURVE	C / SE S1 D6 A	B
Design PURE	C / SE S1 D7 A	B
Design SQUARE	C / SE S1 D3 A	B
Design WAVE	C / SE S1 D10 A	B

Trovate la gamma completa dei prodotti Schlüter-SHELF-E-S1 personalizzabili con i colori MyDesign alle pagg. 254–255.

## Mensole



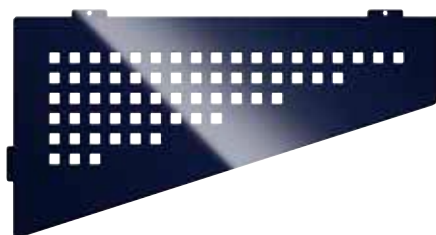
### Schlüter®-SHELF-E-S2-AC

alluminio colorato  
 mensole nei design: FLORAL, CURVE, PURE, SQUARE, WAVE

Caratteristiche	Cod. Art.	Supplemento MyDesign
Design FLORAL	C / SE S2 D5 A	B
Design CURVE	C / SE S2 D6 A	B
Design PURE	C / SE S2 D7 A	B
Design SQUARE	C / SE S2 D3 A	B
Design WAVE	C / SE S2 D10 A	B

Trovate la gamma completa dei prodotti Schlüter-SHELF-E-S2 personalizzabili con i colori MyDesign alle pagg. 256–257.

## Mensole



### Schlüter®-SHELF-E-S3-AC

alluminio colorato  
 mensole nei design: FLORAL, CURVE, PURE, SQUARE, WAVE

Caratteristiche	Cod. Art.	Supplemento MyDesign
Design FLORAL	C / SE S3 D5 A	B
Design CURVE	C / SE S3 D6 A	B
Design PURE	C / SE S3 D7 A	B
Design SQUARE	C / SE S3 D3 A	B
Design WAVE	C / SE S3 D10 A	B

Trovate la gamma completa dei prodotti Schlüter-SHELF-E-S3 personalizzabili con i colori MyDesign alle pagg. 258–259.

## Mensole



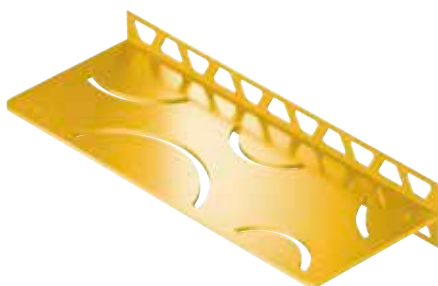
## Schlüter®-SHELF-N-S1-AC

alluminio colorato  
mensole nei design: FLORAL, CURVE, PURE, SQUARE, WAVE

Caratteristiche	Cod. Art.	Supplemento MyDesign
Design FLORAL	C / SN S1 D5 A	B
Design CURVE	C / SN S1 D6 A	B
Design PURE	C / SN S1 D7 A	B
Design SQUARE	C / SN S1 D3 A	B
Design WAVE	C / SN S1 D10 A	B

Trovate la gamma completa dei prodotti Schlüter-SHELF-N personalizzabili con i colori MyDesign alle pagg. 260–261.

## Mensole



## Schlüter®-SHELF-W-S1-AC

alluminio colorato  
mensole nei design: FLORAL, CURVE, PURE, SQUARE, WAVE

Caratteristiche	Cod. Art.	Supplemento MyDesign
Design FLORAL	C / SW S1 D5 A	B
Design CURVE	C / SW S1 D6 A	B
Design PURE	C / SW S1 D7 A	B
Design SQUARE	C / SW S1 D3 A	B
Design WAVE	C / SW S1 D10 A	B

Trovate la gamma completa dei prodotti Schlüter-SHELF-W personalizzabili con i colori MyDesign alle pagg. 262–263.

## Profilo di chiusura | Angolo | Innesto



## Schlüter®-BARA-RAK

alluminio colorato  
profili nella lunghezza: 2,50 m  
angolo esterno 90°, angolo esterno 135°, angolo interno 90°, innesto

Caratteristiche	Cod. Art.	Supplemento MyDesign
profilo 2,50 m	C / RAK 50 A	B
angolo esterno 90°	C / E90 / RAK 50 A	B
angolo esterno 135°	C / E135 / RAK 50 A	B
angolo speciale esterno	C / ESO / RAK 50 A	B
angolo interno 90°	C / I90 / RAK 50 A	B
angolo speciale interno	C / ISO / RAK 50 A	B
innesto	C / V / RT 30 A	A

Trovate la gamma completa dei prodotti Schlüter-BARA-RAK personalizzabili con i colori MyDesign a pag. 315.

## Profilo di chiusura | Angolo | Innesto



## Schlüter®-BARA-RAKE

alluminio colorato  
profili nella lunghezza: 2,50 m, altezze: 10 mm, 15 mm, 18 mm, 21 mm  
angolo esterno 90°, angolo esterno 135°, angolo interno 90°, innesto nelle altezze: 10 mm, 15 mm, 18 mm, 21 mm

Caratteristiche	Cod. Art.	Supplemento MyDesign
profilo 2,50 m (10–21 mm)	C / RAKE ...* A	B
angolo esterno 90° (10–21 mm)	C / E90 / RAKE ...* A	B
angolo esterno 135° (10–21 mm)	C / E135 / RAKE ...* A	B
angolo speciale esterno (10–21 mm)	C / ESO / RAKE ...* A	B
angolo interno 90° (10–21 mm)	C / I90 / RAKE ...* A	B
angolo speciale interno (10–21 mm)	C / ISO / RAKE ...* A	B
innesto (10–21 mm)	C / V / RTKE ...* A	A

\* Completare il Cod. Art. con l'altezza (ad es. C / RAKE 10 A)

Trovate la gamma completa dei prodotti Schlüter-BARA-RAKE personalizzabili con i colori MyDesign a pag. 316.



## Profilo di chiusura | Angolo | Innesto



### Schlüter®-BARA-RAKEG

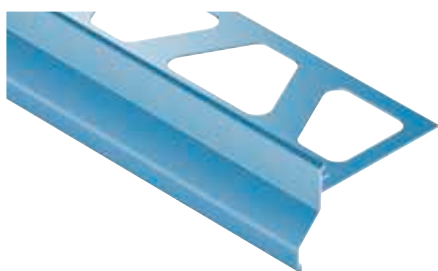
alluminio colorato  
 profili nella lunghezza: 2,50 m, altezze: 4 mm, 10 mm, 15 mm, 18 mm, 21 mm  
 angolo esterno 90°, angolo esterno 135°, angolo interno 90°,  
 innesto nelle altezze: 4 mm, 10 mm, 15 mm, 18 mm, 21 mm

Caratteristiche	Cod. Art.	Supplemento MyDesign
profilo 2,50 m (4–21 mm)	C / RAKEG ...* A	B
angolo esterno 90° (4–21 mm)	C / E90 / RAKEG ...* A	B
angolo esterno 135° (4–21 mm)	C / E135 / RAKEG ...* A	B
angolo speciale esterno (4–21 mm)	C / ESO / RAKEG ...* A	B
angolo interno 90° (4–21 mm)	C / I90 / RAKEG ...* A	B
angolo speciale interno (4–21 mm)	C / ISO / RAKEG ...* A	B
innesto (4–21 mm)	C / V / RTKE ...* A	A

\* Completare il Cod. Art. con l'altezza (ad es. C / RAKEG 4 A)

Trovate la gamma completa dei prodotti Schlüter-BARA-RAKEG personalizzabili con i colori MyDesign a pag. 317.

## Profilo di chiusura | Angolo | Innesto



### Schlüter®-BARA-RKK

alluminio colorato  
 profili nella lunghezza: 2,50 m, altezze: 10 mm, 15 mm, 18 mm  
 angolo esterno 90°, angolo esterno 135°, angolo interno 90°, innesto nelle altezze: 10 mm, 15 mm, 18 mm

Caratteristiche	Cod. Art.	Supplemento MyDesign
profilo 2,50 m (10–18 mm)	C / RKK ...* A	B
angolo esterno 90° (10–18 mm)	C / E90 / RKK ...* A	B
angolo esterno 135° (10–18 mm)	C / E135 / RKK ...* A	B
angolo speciale esterno (10–18 mm)	C / ESO / RKK ...* A	B
angolo interno 90° (10–18 mm)	C / I90 / RKK ...* A	B
angolo speciale interno (10–18 mm)	C / ISO / RKK ...* A	B
innesto (10–18 mm)	C / V / RKK ...* A	A

\* Completare il Cod. Art. con l'altezza (ad es. C / RKK 10 A)

Trovate la gamma completa dei prodotti Schlüter-BARA-RKK personalizzabili con i colori MyDesign a pag. 318.

## Profilo di chiusura | Angolo | Innesto



### Schlüter®-BARA-RKKE

alluminio colorato profili con lunghezza: 2,50 m, altezze: 8 mm, 10 mm, 15 mm, 18 mm, 21 mm, 23 mm  
 angolo esterno 90°, angolo esterno 135°, angolo interno 90°,  
 innesto nelle altezze: 8 mm, 10 mm, 15 mm, 18 mm, 21 mm, 23 mm

Caratteristiche	Cod. Art.	Supplemento MyDesign
profilo 2,50 m (8–23 mm)	C / RKKE ...* A	B
angolo esterno 90° (8–23 mm)	C / E90 / RKKE ...* A	B
angolo esterno 135° (8–23 mm)	C / E135 / RKKE ...* A	B
angolo speciale esterno (8–23 mm)	C / ESO / RKKE ...* A	B
angolo interno 90° (8–23 mm)	C / I90 / RKKE ...* A	B
angolo speciale interno (8–23 mm)	C / ISO / RKKE ...* A	B
innesto (8–23 mm)	C / V / RKK ...* A	A

\* Completare il Cod. Art. con l'altezza (ad es. C / RKKE 8 A)

Trovate la gamma completa dei prodotti Schlüter-BARA-RKKE personalizzabili con i colori MyDesign a pag. 320.



## Profilo di chiusura | Angolo | Innesto



### Schlüter®-BARA-RKB

alluminio colorato  
 profili nella lunghezza: 2,50 m  
 angolo esterno 90°, angolo esterno 135°, angolo interno 90°, innesto

Caratteristiche	Cod. Art.	Supplemento MyDesign
profilo 2,50 m	C / RKB 3 A	B
angolo esterno 90°	C / E90 / RKB 3 A	B
angolo esterno 135°	C / E135 / RKB 3 A	B
angolo speciale esterno	C / ESO / RKB 3 A	B
angolo interno 90°	C / I90 / RKB 3 A	B
angolo speciale interno	C / ISO / RKB 3 A	B
innesto	C / V / RKB 3 A	A

Trovate la gamma completa dei prodotti Schlüter-BARA-RKB personalizzabili con i colori MyDesign a pag. 321.

## Profilo di chiusura | Angolo | Innesto



### Schlüter®-BARA-RK

alluminio colorato  
 profili nella lunghezza: 2,50 m  
 angolo esterno 90°, angolo esterno 135°, angolo interno 90°, innesto

Caratteristiche	Cod. Art.	Supplemento MyDesign
profilo 2,50 m	C / RK 65 A	B
angolo esterno 90°	C / E90 / RK 65 A	B
angolo esterno 135°	C / E135 / RK 65 A	B
angolo speciale esterno	C / ESO / RK 65 A	B
angolo interno 90°	C / I90 / RK 65 A	B
angolo speciale interno	C / ISO / RK 65 A	B
innesto	C / V / RK 65 A	A

Trovate la gamma completa dei prodotti Schlüter-BARA-RK personalizzabili con i colori MyDesign a pag. 324.

## Profilo di chiusura | Angolo | Innesto



### Schlüter®-BARA-RKL

alluminio colorato  
 profili nella lunghezza: 2,50 m, altezze: 30 mm, 35 mm, 40 mm, 50 mm, 75 mm  
 angolo esterno 90°, angolo esterno 135°, angolo interno 90°,  
 innesto nelle altezze: 30 mm, 35 mm, 40 mm, 50 mm, 75 mm

Caratteristiche	Cod. Art.	Supplemento MyDesign
profilo 2,50 m (30–75 mm)	C / RKL ...* A	B
angolo esterno 90° (30–75 mm)	C / E90 / RKL ...* A	B
angolo esterno 135° (30–75 mm)	C / E135 / RKL ...* A	B
angolo speciale esterno (30-75 mm)	C / ESO / RKL ...* A	B
angolo interno 90° (30–75 mm)	C / I90 / RKL ...* A	B
angolo speciale interno (30-75 mm)	C / ISO / RKL ...* A	B
innesto (30–75 mm)	C / V / RKL ...* A	A

\* Completare il Cod. Art. con l'altezza (ad es. C / RKL 30 A)

Trovate la gamma completa dei prodotti Schlüter-BARA-RKL personalizzabili con i colori MyDesign alle pagg. 326–327.



# MyDesign by Schlüter-Systems

## Stampiamo sui profili il disegno che volete

Nella produzione di piastrelle in ceramica si utilizzano le tecniche di stampa sempre più all'avanguardia per consentire la fedele riproduzione delle superfici in legno o marmo. Non ci sono più barriere alla fantasia e alla creatività di designer e architetti.

Schlüter-Systems ha già ottenuto un abbinamento straordinario tra profili e ceramica con la gamma di colori TRENDLINE. Con MyDesign by Schlüter-Systems, abbiamo fatto un ulteriore passo avanti. Grazie alle moderne tecniche di Digital Printing è possibile ottenere profili che si adattano al design del rivestimento e del battiscopa in ceramica. In questo modo si può ottenere un'armonica integrazione della protezione dei bordi nel rivestimento ceramico.

In alternativa, se si vuole dare un tocco in più alla parete od al battiscopa, questa tecnologia offre l'opportunità di far stampare il motivo desiderato (ad es. disegni, logo aziendale, ecc.) ed esprimere così la propria creatività.

Qualunque sia la vostra scelta, con l'innovativa tecnologia di stampa di Schlüter-Systems si è sempre un passo avanti nella realizzazione di abbinamenti tra profili e ceramica.

Nelle pagine seguenti trovate la lista dei profili e di altri prodotti adatti a questa personalizzazione e vi illustriamo come li potete ordinare. Per qualsiasi domanda sul nuovo sistema MyDesign by Schlüter-Systems potete inoltre rivolgervi ai nostri consulenti ed al nostro ufficio tecnico che sono sempre a vostra disposizione. Trovate i dati di contatto sul nostro sito web. Schlüter-MyDesign: realizzare i tuoi progetti come vuoi tu.







# MyDesign by Schlüter-Systems

Facile da ordinare. Proprio come lo vuoi tu.

Scopri nelle pagine seguenti quali prodotti possono essere realizzati con Digital Printing personalizzato nella linea MyDesign by Schlüter-Systems. Per ogni ordine con Digital Printing personalizzato viene addebitato un costo di attrezzaggio una tantum per ogni singolo disegno. Il disegno personalizzato può essere stampato su molti profili ed accessori della linea MyDesign. Il costo di attrezzaggio dell'impianto MyDesign è di 518,91 CHF per ciascun design.

Per calcolare il costo complessivo di un vostro ordine con Digital Printing personalizzato MyDesign seguite i quattro passaggi indicati qui di seguito nella sezione "Quotazione".

## Ordine

**Cinque passaggi per il prodotto desiderato:**

1. Scegliere il profilo personalizzabile MyDesign ad es. **QUADEC-AC (C / Q ...\* DP)**
2. Scegliere l'altezza | inserirla nel cod. art. ad. es. **6 mm | C / Q 60 DP**
3. Scegliere l'angolo, il terminale o il connettore ad. es. **C / EV / Q 60 DP**
4. Inviare un campione della piastrella o un file con il disegno desiderato
5. Approvare la stampa di prova

In caso di dubbi, il nostro rivenditore di zona vi potrà assistere nella composizione dell'ordine.  
Trovate tutte le informazioni sul nostro sito internet dedicato <https://qr.schluter.it/mydesign.aspx>

## Quotazione

**Quattro passaggi per calcolare il prezzo del vostro ordine:**

1. Selezionare il prezzo del profilo desiderato\*\*
2. MyDesign supplemento C **C 19,02 CHF al metro**
3. Prezzo degli angoli / terminali / connettori desiderati **forfait 32,86 CHF al pezzo**
4. Costo "una tantum" MyDesign (si paga una volta sola per ciascun disegno) **518,91 CHF\***

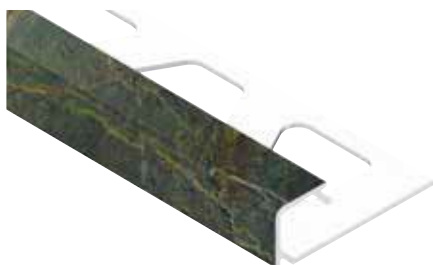
\* non soggetto a sconto

\*\* prendere come riferimento i prezzi dei prodotti con la superficie AC

## Tabella di calcolo del costo complessivo/per ordine

1. Prodotto	2. Supplemento	3. Accessori	4. Una tantum	Quotazione
<input type="text"/>	<input type="text"/>	<input type="text"/>	<input type="text"/>	<input type="text"/>
<input type="text"/>	<input type="text"/>	<input type="text"/>	<input type="text"/>	<input type="text"/>
<input type="text"/>	<input type="text"/>	<input type="text"/>	<input type="text"/>	<input type="text"/>
<input type="text"/>	<input type="text"/>	<input type="text"/>	<input type="text"/>	<input type="text"/>
<input type="text"/>	<input type="text"/>	<input type="text"/>	<input type="text"/>	<input type="text"/>
<input type="text"/>	<input type="text"/>	<input type="text"/>	<input type="text"/>	<input type="text"/>

## Profilo di chiusura | Angolo



### Schlüter®-QUADEC-AC

alluminio colorato  
 profili con lunghezze: 2,50 m/3,00 m, altezze: 6 mm, 8 mm, 10 mm, 11 mm, 12,5 mm  
 angolo esterno/interno 90° con altezze: 6 mm, 8 mm, 10 mm, 11 mm, 12,5 mm

Caratteristiche	Cod. Art.	Supplemento MyDesign
profilo 2,50 m (6–12,5 mm)	C / Q ...* DP	C
profilo 3,00 m (6–12,5 mm)	C / Q ...* DP/300	C
angolo esterno/interno 90° (6–12,5 mm)	C / EV / Q ...* DP	Una tantum

\* Completare il Cod. Art. con l'altezza (ad. es. B C / Q 60 DP)

Trovate la gamma completa dei prodotti Schlüter-QUADEC-AC personalizzabili con i colori MyDesign a pag. 63.

## Profilo di chiusura | Angolo



### Schlüter®-RONDEC-AC

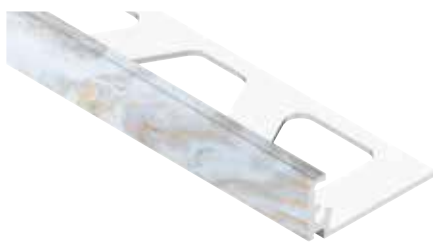
alluminio colorato  
 profili con lunghezze: 2,50 m/3,00 m, altezze: 6 mm, 8 mm, 10 mm, 11 mm, 12,5 mm  
 angoli esterni 90°, angoli interni 90° con altezze: 6 mm, 8 mm, 10 mm, 11 mm, 12,5 mm

Caratteristiche	Cod. Art.	Supplemento MyDesign
profilo 2,50 m (6–12,5 mm)	C / RO ...* DP	C
profilo 3,00 m (6–12,5 mm)	C / RO ...* DP/300	C
angolo esterno 90° (6–12,5 mm)	C / EV / ...* DP	Una tantum
angolo interno 90° (6–12,5 mm)	C / IV / RO ...* DP	Una tantum

\* Completare il Cod. Art. con l'altezza (ad. es. B C / RO 60 DP)

Trovate la gamma completa dei prodotti Schlüter-RONDEC-AC personalizzabili con i colori MyDesign a pag. 72 (profili) e a pag. 71 (angoli).

## Profilo di chiusura | Angolo



### Schlüter®-JOLLY-AC

alluminio colorato  
 profili con lunghezze: 2,50 m/3,00 m, altezze: 6 mm, 8 mm, 10 mm, 11 mm, 12,5 mm  
 angoli esterni 90° con altezze: 6 mm, 8 mm, 10 mm, 11 mm, 12,5 mm

Caratteristiche	Cod. Art.	Supplemento MyDesign
profilo 2,50 m (6–12,5 mm)	C / J ...* DP	C
profilo 3,00 m (6–12,5 mm)	C / J ...* DP/300	C
angolo esterno 90° (6–12,5 mm)	C / EV / J ...* DP	Una tantum

\* Completare il Cod. Art. con l'altezza (ad. es. B C / J 60 DP)

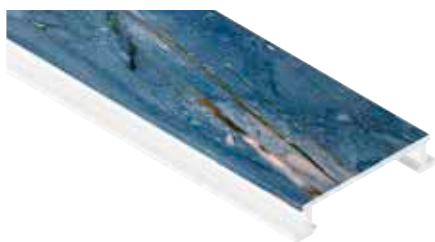
Trovate la gamma completa dei prodotti Schlüter-JOLLY-AC personalizzabile con i colori My Design a pag. 82.

## Personalizzabile e resistente

I nostri profili stampati sono sottoposti a continui controlli di qualità. Che si tratti di test di abrasione, piegatura e taglio, resistenza ai raggi UV, sbalzi di temperatura o esposizione all'acqua salata o a sostanze chimiche: garantiamo che i nostri profili MyDesign soddisfino gli standard più elevati.



## Profilo decorativo



### Schlüter®-DESIGNLINE-AC

alluminio colorato  
profili nella lunghezza: 2,50 m

Caratteristiche	Cod. Art.	Supplemento MyDesign
profilo 2,50 m	C / DL 625 DP	C

Trovate la gamma completa dei prodotti Schlüter-DESIGNLINE personalizzabili con i colori MyDesign a pag. 96.

## Profilo per battiscopa | Angolo | Terminale | Innesto



### Schlüter®-DESIGNBASE-SL-AC

alluminio colorato  
profili con lunghezza: 2,50 m, altezze: 60 mm  
angolo esterno 90°, angolo interno 90°, terminale sinistro, terminale destro, innesto con altezze: 60 mm

Caratteristiche	Cod. Art.	Supplemento MyDesign
profilo 2,50 m (60 mm)	C / DB SL 60 DP	C
angolo esterno 90° (60 mm)	C / ED / DB SL 60 DP	Una tantum
angolo interno 90° (60 mm)	C / ID / DB SL 60 DP	Una tantum
terminale sinistro (60 mm)	C / EL / DB SL 60 DP	Una tantum
terminale destro (60 mm)	C / ER / DB SL 60 DP	Una tantum
innesto (60 mm)	C / V / DB SL 60 DP	Una tantum

Trovate la gamma completa dei prodotti Schlüter-DESIGNBASE-SL-A personalizzabili con i colori MyDesign alle pagg. 100–101.

## Profilo di chiusura | Angolo



### Schlüter®-RONDEC-STEP-AC

alluminio colorato  
profili nella lunghezza: 2,50 m, altezze: 8 mm, 10 mm, 12,5 mm  
angolo esterno 90°, angolo esterno 135°, angolo interno 90°,  
angolo interno 135° nelle altezze: 8 mm, 10 mm, 12,5 mm

Caratteristiche	Cod. Art.	Supplemento MyDesign
profilo 2,50 m (8–12,5 mm)	C / RS ...* DP 39	C
angolo esterno 90° (8–12,5 mm)	C / E90 RS ...* DP 39	Una tantum
angolo esterno 135° (8–12,5 mm)	C / E135 RS ...* DP 39	Una tantum
angolo interno 90° (8–12,5 mm)	C / I90 RS ...* DP 39	Una tantum
angolo interno 135° (8–12,5 mm)	C / I135 RS ...* DP 39	Una tantum

\* Completare il Cod. Art. con l'altezza (ad es. C / RS 80 DP 39)

Trovate la gamma completa dei prodotti Schlüter-RONDEC-STEP a pag. 104.

## Profilo a sguscia per angoli interni | Angolo | Terminale



### Schlüter®-DILEX-AHK-AC

alluminio colorato  
 profili nella lunghezza: 2,50 m, altezze: 8 mm, 10 mm, 12,5 mm  
 angolo esterno 90°, angolo esterno 135°, angolo interno 90°, angolo interno 135°, terminale

Caratteristiche	Cod. Art.	Supplemento MyDesign
profilo 2,50 m (8–12,5 mm)	C / AHK 1S ...* DP	C
angolo esterno a 90° (per collegamento con i RONDEC)	C / E90 / AHK 1S / DP	Una tantum
angolo esterno a 90° (per collegamento con i QUADEC)	C / E90 Q / AHK 1S / DP	Una tantum
angolo esterno 135°	C / E135 / AHK 1S / DP	Una tantum
angolo interno 90°	C / I90 / AHK 1S / DP	Una tantum
angolo interno 135°	C / I135 / AHK 1S / DP	Una tantum
Terminali	C / E / AHK 1S / DP	Una tantum

\* Completare il Cod. Art. con l'altezza (ad es. B C / AHK 1S 80 DP)

Trovate la gamma completa dei prodotti Schlüter-DILEX-AHK alle pagg. 149–150.

## Profilo a sguscia per angoli interni | Angolo | Terminale



### Schlüter®-DILEX-AHKA-AC

alluminio colorato  
 profili nella lunghezza: 2,50 m, altezze: 8 mm, 10 mm, 12,5 mm, 15 mm  
 angolo esterno 90°, angolo esterno 135°, angolo interno 90°, angolo interno 135°, terminale sinistro, terminale destro

Caratteristiche	Cod. Art.	Supplemento MyDesign
profilo 2,50 m (8–15 mm)	C / AHKA ...* DP	C
angolo esterno 90°	C / E90 / AHKA / DP	Una tantum
angolo esterno 135°	C / E135 / AHKA / DP	Una tantum
angolo interno 90°	C / I90 / AHKA / DP	Una tantum
angolo interno 135°	C / I135 / AHKA / DP	Una tantum
terminale sinistro	C / EL / AHKA / DP	Una tantum
terminale destro	C / ER / AHKA / DP	Una tantum

\* Completare il Cod. Art. con l'altezza (ad es. B C / AHKA 80 DP)

Trovate la gamma completa dei prodotti Schlüter-DILEX-AHKA alle pagg. 150–151.



# My Schlüter®-KERDI-LINE

La canalina che porta il tuo nome

Oltre alla scelta tra vari colori, finiture e stampe dalla gamma MyDesign by Schlüter-Systems, l'incisione personalizzata aggiunge un tocco particolare ai prodotti Schlüter. Con l'ausilio di moderni procedimenti di incisione al laser, possiamo personalizzare i set griglia/cornice della linea KERDI-LINE. Potete incidere marchi, immagini o testi per sottolineare il vostro brand o semplicemente per i vostri gusti personali.

La catena alberghiera che vuole ricordare ai propri ospiti, mentre si concedono una doccia rilassante, dove si sentono a proprio agio; l'attività artigianale che vuole essere ricordata accanto ai marchi del produttore. In ogni occasione Schlüter-KERDI-LINE vi offre l'opportunità di lasciare un segno indelebile. Scoprite tutte le possibilità che vi offriamo.





**YOUR  
BRAND**





# My Schlüter®-KERDI-LINE

Facile da ordinare. Proprio come lo vuoi tu.

Scoprite nella pagina seguente quali prodotti possono essere personalizzati con l'incisione My Schlüter-KERDI-LINE. Con My Schlüter-KERDI-LINE potete incidere sulle griglie e/o cornici delle nostre canaline KERDI-LINE-A/-B/-C un logo o una scritta a vostra scelta.

Nella pagina seguente trovate i costi aggiuntivi delle incisioni per le combinazioni di griglia/cornice delle pagine 218–219.

Per calcolare il costo complessivo della vostra incisione personalizzata, seguite i due passaggi indicati qui di seguito nella sezione "Quotazione".



## Ordine

**Tre passaggi per creare il tuo ordine MyDesign:**

- |  |   |
|--|---|
| 1. Scegliere un prodotto personalizzabile My KERDI-LINE  | ad es. KERDI-LINE-A (KLA 19 EB 100)     |
| 2. Scegliere l'incisione desiderata  | ad es. incisione a carattere pieno (G1) |
| 3. Completare il Cod. Art. con sigla dell'incisione, ad esempio aggiungere G1 al codice articolo | ad es KLA 19 EB 100 G1                  |

In caso di dubbi, il nostro rivenditore di zona vi potrà assistere nella composizione dell'ordine.

## Quotazione

**Due passaggi per calcolare il prezzo del vostro ordine:**

1. Scegliere il prezzo della combinazione griglia/cornice desiderata
2. Scegliere la maggiorazione My KERDI-LINE

### **Nota:**

Le incisioni My Schlüter-KERDI-LINE non sono disponibili per le griglie/cornici lucidate o colorate e per le griglie della gamma Schlüter-KERDI-LINE-STYLE.

## Combinazione griglia/cornice

**Schlüter®-KERDI-LINE-A 19 mm**

incisione carattere pieno solo sulla griglia (G1)

Cod. Art.	Maggiorazione CHF / pz.
...* G1	<b>67,55</b>

incisione effetto cangiante solo sulla griglia (G2)

Cod. Art.	Maggiorazione CHF / pz.
...* G2	<b>82,52</b>

incisione effetto matita solo sulla griglia (G3)

Cod. Art.	Maggiorazione CHF / pz.
...* G3	<b>45,02</b>

incisione carattere pieno sulla griglia e effetto matita sulla cornice (G1R)

Cod. Art.	Maggiorazione CHF / pz.
...* G1R	<b>108,79</b>

incisione effetto cangiante sulla griglia e effetto matita sulla cornice (G2R)

Cod. Art.	Maggiorazione CHF / pz.
...* G2R	<b>126,72</b>

incisione effetto matita su cornice e griglia (G3R)

Cod. Art.	Maggiorazione CHF / pz.
...* G3R	<b>86,28</b>

incisione effetto matita solo sulla cornice (GR)

Cod. Art.	Maggiorazione CHF / pz.
...* GR	<b>41,28</b>

\* Cod. Art. da completare  
(p. e. KLA 19 EB 70 G1R)**Schlüter®-KERDI-LINE-B 19 mm**

incisione effetto matita solo sulla cornice (GR)

Cod. Art.	Maggiorazione CHF / pz.
...* GR	<b>41,28</b>

**Schlüter®-KERDI-LINE-C 19 mm**

incisione effetto matita solo sulla cornice (GR)

Cod. Art.	Maggiorazione CHF / pz.
...* GR	<b>41,28</b>



incisione carattere pieno



incisione effetto cangiante



incisione effetto matita



# Profili Schlüter

## Profili di protezione

I profili di protezione come Schlüter-SCHIENE delimitano e proteggono dalle sollecitazioni meccaniche gli spigoli esterni dei rivestimenti in ceramica o lapidei. I profili Schlüter-RENO consentono di raccordare pavimentazioni adiacenti e di diverso spessore, evitando che si creino dislivelli. Tutti i nostri profili contribuiscono a rendere eleganti i rivestimenti e le pavimentazioni in ceramica, garantendone una maggiore durata nel tempo.





## Profili di chiusura

Schlüter®-SCHIENE	39
Schlüter®-SCHIENE-TS	40
Schlüter®-SCHIENE-A	42
Schlüter®-SCHIENE-AC	43
Schlüter®-SCHIENE-ES	44
Schlüter®-SCHIENE-BASIC	45
Schlüter®-SCHIENE-V	45

## Profili di raccordo

Schlüter®-RENO-TK	46
Schlüter®-RENO-V	47
Schlüter®-RENO-VT	48
Schlüter®-RENO-VB	48
Schlüter®-RENO-U	49
Schlüter®-RENO-RAMP	50
Schlüter®-RENO-RAMP-K	50
Schlüter®-RENO-T	51

## Profili di separazione

Schlüter®-TERRAZZO	51
--------------------	----

## Profili a L

Schlüter®-WINKEL	48
------------------	----



# Schlüter®-SCHIENE

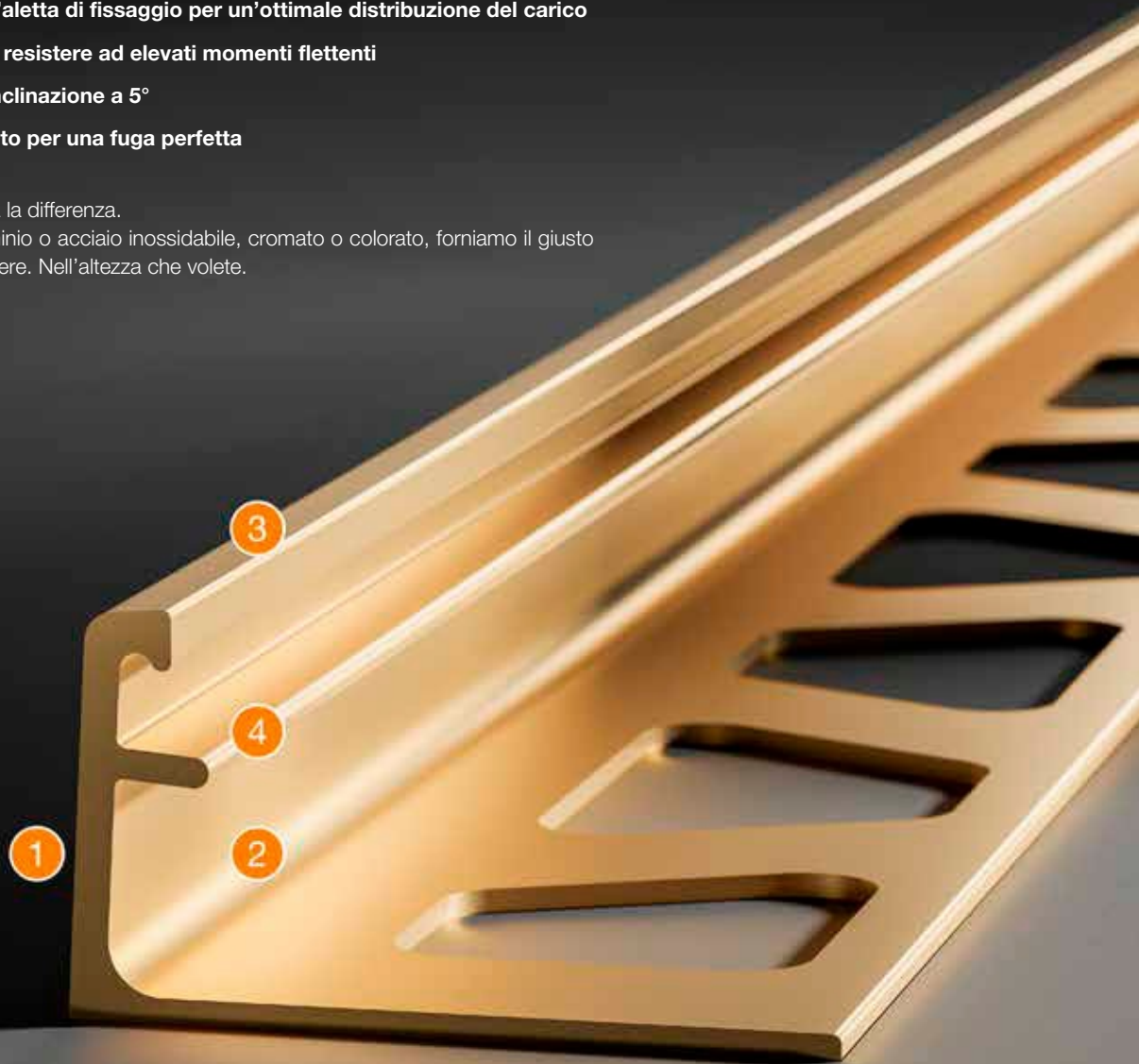
## L'Originale dal 1975

Da 50 anni i posatori si affidano a Schlüter-SCHIENE quando si tratta di proteggere in modo affidabile i risultati del loro lavoro. Sviluppato dall'esperienza pratica del maestro posatore Werner Schlüter nel 1975, il nostro prodotto più conosciuto offre ancora oggi una perfetta protezione dei bordi grazie alle sue speciali caratteristiche di design:

- 1 **Inclinazione a 87° dell'aletta di fissaggio per un'ottimale distribuzione del carico**
- 2 **Rinforzo alla base per resistere ad elevati momenti flettenti**
- 3 **Testa rinforzata con inclinazione a 5°**
- 4 **Distanziatore brevettato per una fuga perfetta**

L'insieme dei dettagli che fa la differenza.

Che si tratti di ottone, alluminio o acciaio inossidabile, cromato o colorato, forniamo il giusto SCHIENE per il vostro cantiere. Nell'altezza che volete.

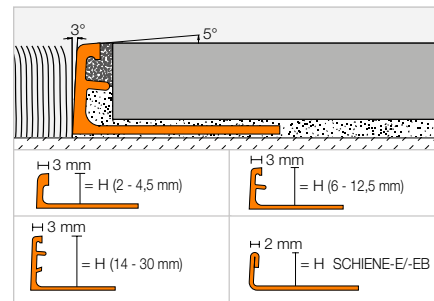


## Profilo di chiusura

**Schlüter®-SCHIENE**


Schlüter-SCHIENE è uno speciale profilo con angolazione a 87° adatto per la protezione degli spigoli esterni dei rivestimenti in piastrelle, che può essere utilizzato anche per altre applicazioni e con altri tipi di materiale da rivestimento. Tramite il distanziatore si crea una fuga precisa tra il profilo e la piastrella. Schlüter-SCHIENE-E non è provvisto di distanziatore.

(Scheda tecnica 1.1)


**Schlüter®-SCHIENE-M**


ottone

H (mm)	L = 2,50 m Cod. Art.	CHF / m	cassa (pz.)
–	–	–	–
3	M 30	<b>10,55</b>	120
4,5	M 45	<b>10,55</b>	120
6	M 60	<b>10,72</b>	120
–	–	–	–
8	M 80	<b>11,40</b>	120
9	M 90	<b>11,81</b>	120
10	M 100	<b>12,01</b>	120
11	M 110	<b>12,99</b>	120
12,5	M 125	<b>13,26</b>	120
–	–	–	–
15	M 150	<b>14,27</b>	120
16	M 160	<b>15,48</b>	120
17,5	M 175	<b>15,81</b>	120
20	M 200	<b>16,66</b>	120
–	–	–	–
22,5	M 225	<b>19,62</b>	120
25	M 250	<b>20,86</b>	120
–	–	–	–
30	M 300	<b>23,08</b>	120
	<b>L = 1,00 m</b>		
4,5	M 45/100	<b>11,21</b>	240
6	M 60/100	<b>11,40</b>	240
8	M 80/100	<b>12,07</b>	240
10	M 100/100	<b>12,68</b>	240
12,5	M 125/100	<b>13,94</b>	240
15	M 150/100	<b>14,94</b>	240

**Schlüter®-SCHIENE-A**


alluminio

H (mm)	L = 2,50 m Cod. Art.	CHF / m	cassa (pz.)
2	A 20	<b>4,42</b>	120
3	A 30	<b>4,42</b>	120
4,5	A 45	<b>4,42</b>	120
6	A 60	<b>4,42</b>	120
7	A 70	<b>4,51</b>	120
8	A 80	<b>4,58</b>	120
9	A 90	<b>4,64</b>	120
10	A 100	<b>4,75</b>	120
11	A 110	<b>5,08</b>	120
12,5	A 125	<b>5,38</b>	120
14	A 140	<b>5,77</b>	120
15	A 150	<b>6,07</b>	120
16	A 160	<b>6,41</b>	120
17,5	A 175	<b>6,75</b>	120
20	A 200	<b>6,96</b>	120
21	A 210	<b>7,33</b>	120
22,5	A 225	<b>7,69</b>	120
25	A 250	<b>8,03</b>	120
27,5	A 275	<b>8,37</b>	120
30	A 300	<b>8,80</b>	120
	<b>L = 1,00 m</b>		
4,5	A 45/100	<b>5,08</b>	240
6	A 60/100	<b>5,08</b>	240
8	A 80/100	<b>5,26</b>	240
10	A 100/100	<b>5,47</b>	240
12,5	A 125/100	<b>6,07</b>	240
15	A 150/100	<b>6,75</b>	240

**Schlüter®-SCHIENE-AE**


alluminio anodizzato

H (mm)	L = 2,50 m Cod. Art.	CHF / m	cassa (pz.)
2	AE 20	<b>6,07</b>	120
3	AE 30	<b>6,07</b>	120
4,5	AE 45	<b>6,14</b>	120
6	AE 60	<b>6,41</b>	120
7	AE 70	<b>6,57</b>	120
8	AE 80	<b>6,66</b>	120
9	AE 90	<b>6,96</b>	120
10	AE 100	<b>7,09</b>	120
11	AE 110	<b>7,57</b>	120
12,5	AE 125	<b>7,87</b>	120
14	AE 140	<b>8,37</b>	120
15	AE 150	<b>8,67</b>	120
16	AE 160	<b>9,28</b>	120
17,5	AE 175	<b>9,45</b>	120
20	AE 200	<b>10,62</b>	120
21	AE 210	<b>11,15</b>	120
22,5	AE 225	<b>11,31</b>	120
25	AE 250	<b>11,74</b>	120
27,5	AE 275	<b>12,22</b>	120
30	AE 300	<b>12,95</b>	120
	<b>L = 1,00 m</b>		
4,5	AE 45/100	<b>6,78</b>	240
6	AE 60/100	<b>7,03</b>	240
8	AE 80/100	<b>7,33</b>	240
10	AE 100/100	<b>7,79</b>	240
12,5	AE 125/100	<b>8,66</b>	240
15	AE 150/100	<b>9,54</b>	240

**Schlüter®-SCHIENE-MC**


ottone cromato

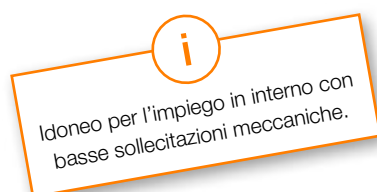
H (mm)	L = 2,50 m Cod. Art.	CHF / m	cassa (pz.)
6	MC 60	<b>34,76</b>	120
8	MC 80	<b>36,02</b>	120
10	MC 100	<b>36,44</b>	120
11	MC 110	<b>36,68</b>	120
12,5	MC 125	<b>37,03</b>	120

**Nota:**

Schlüter-SCHIENE-M / -A / -AE nelle altezze da 2, 3 e 4,5 mm viene fornito senza distanziatore.

Per ragioni tecniche non è possibile avere profili da 1 m con la speciale traforatura per rendere curvabile il profilo.

Per profili lunghi 3 m completare il Cod. Art. con "/300" (ad es. M 60/300).





### Schlüter®-SCHIENE-E



acciaio inossidabile V2A

H (mm)	L = 2,50 m Cod. Art.	CHF / m	cassa (pz.)
2	E 20	<b>11,11</b>	120
3	E 30	<b>11,55</b>	120
4,5	E 45	<b>12,47</b>	120
6	E 60	<b>12,90</b>	120
7	E 70	<b>13,23</b>	120
8	E 80	<b>13,35</b>	120
9	E 90	<b>13,77</b>	120
10	E 100	<b>14,02</b>	120
11	E 110	<b>14,80</b>	120
12,5	E 125	<b>15,30</b>	120
14	E 140	<b>16,00</b>	120
15	E 150	<b>16,75</b>	120
16	E 160	<b>17,43</b>	120
17,5	E 175	<b>17,84</b>	120
20	E 200	<b>18,46</b>	120
22,5	E 225	<b>19,33</b>	120
25	E 250	<b>20,34</b>	120
30	E 300	<b>21,56</b>	120
	<b>L = 1,00 m</b>		
6	E 60 / 100	<b>13,66</b>	240
8	E 80 / 100	<b>14,02</b>	240
10	E 100 / 100	<b>14,74</b>	240
11	E 110 / 100	<b>15,54</b>	240
12,5	E 125 / 100	<b>16,02</b>	240

### Schlüter®-SCHIENE-E V4A



acciaio inossidabile V4A

H (mm)	L = 2,50 m Cod. Art.	CHF / m	cassa (pz.)
4,5	E 45/V4A	<b>13,82</b>	120
6	E 60/V4A	<b>14,48</b>	120
8	E 80/V4A	<b>14,75</b>	120
10	E 100/V4A	<b>15,55</b>	120
11	E 110/V4A	<b>16,46</b>	120
12,5	E 125/V4A	<b>17,02</b>	120
14	E 140/V4A	<b>17,78</b>	120
15	E 150/V4A	<b>18,66</b>	120
16	E 160/V4A	<b>19,36</b>	120
17,5	E 175/V4A	<b>19,81</b>	120
20	E 200/V4A	<b>20,51</b>	120
22,5	E 225/V4A	<b>21,50</b>	120
25	E 250/V4A	<b>22,61</b>	120
30	E 300/V4A	<b>23,99</b>	120

### Schlüter®-SCHIENE-EB



acciaio inossidabile V2A spazzolato

H (mm)	L = 2,50 m Cod. Art.	CHF / m	cassa (pz.)
6	E 60 EB	<b>19,34</b>	120
8	E 80 EB	<b>19,77</b>	120
9	E 90 EB	<b>20,10</b>	120
10	E 100 EB	<b>20,45</b>	120
11	E 110 EB	<b>21,49</b>	120
12,5	E 125 EB	<b>21,73</b>	120

#### Nota:

Per ragioni tecniche non è possibile avere profili da 1 m con la speciale traforatura per rendere curvabile il profilo.

Per profili lunghi 3 m completare il Cod. Art. con "/300" (ad es. M 60/300).

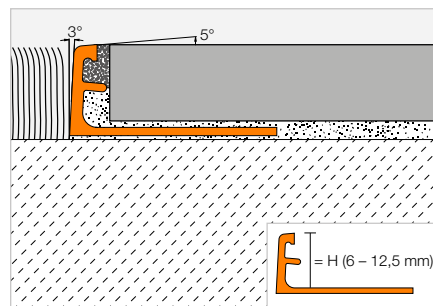
## Profilo di chiusura

### Schlüter®-SCHIENE-TS



Schlüter-SCHIENE-TS è un profilo decorativo in alluminio con speciale finitura a rilievo, che si abbina agli ultimi trend nei rivestimenti ceramici. Questo profilo di protezione è caratterizzato da un angolo a 87° tra aletta di fissaggio e lato a vista. Tramite il distanziatore si crea una fuga precisa tra il profilo e la piastrella.

(Scheda tecnica 1.1)



### Schlüter®-SCHIENE-MBW



alluminio colorato, bianco matt finitura a rilievo

H (mm)	L = 2,50 m Cod. Art.	CHF / m	cassa (pz.)
3	A 30 MBW	<b>8,09</b>	120
4,5	A 45 MBW	<b>8,28</b>	120
6	A 60 MBW	<b>8,45</b>	120
8	A 80 MBW	<b>8,94</b>	120
10	A 100 MBW	<b>9,60</b>	120
11	A 110 MBW	<b>9,91</b>	120
12,5	A 125 MBW	<b>10,27</b>	120

### Schlüter®-SCHIENE-MGS



alluminio colorato, nero matt finitura a rilievo

H (mm)	L = 2,50 m Cod. Art.	CHF / m	cassa (pz.)
3	A 30 MGS	<b>8,09</b>	120
4,5	A 45 MGS	<b>8,28</b>	120
6	A 60 MGS	<b>8,45</b>	120
8	A 80 MGS	<b>8,94</b>	120
10	A 100 MGS	<b>9,60</b>	120
11	A 110 MGS	<b>9,91</b>	120
12,5	A 125 MGS	<b>10,27</b>	120

### Schlüter®-SCHIENE-TSB



alluminio con finitura a rilievo, beige

H (mm)	L = 2,50 m Cod. Art.	CHF / m	cassa (pz.)
—	—	—	—
—	—	—	—
6	A 60 TSB	<b>16,32</b>	120
8	A 80 TSB	<b>17,06</b>	120
10	A 100 TSB	<b>17,80</b>	120
11	A 110 TSB	<b>18,17</b>	120
12,5	A 125 TSB	<b>18,52</b>	120

Per profili lunghi 3 m completare il Cod. Art. con "/300" (ad es. A 60 MBW/300).



**Schlüter®-SCHIENE-TSBG**


alluminio con finitura a rilievo, greige

H (mm)	L = 2,50 m Cod. Art.	CHF / m	cassa (pz.)
6	A 60 TSBG	<b>16,32</b>	120
8	A 80 TSBG	<b>17,06</b>	120
10	A 100 TSBG	<b>17,80</b>	120
11	A 110 TSBG	<b>18,17</b>	120
12,5	A 125 TSBG	<b>18,52</b>	120

**Schlüter®-SCHIENE-TSC**


alluminio con finitura a rilievo, sabbia

H (mm)	L = 2,50 m Cod. Art.	CHF / m	cassa (pz.)
6	A 60 TSC	<b>16,32</b>	120
8	A 80 TSC	<b>17,06</b>	120
10	A 100 TSC	<b>17,80</b>	120
11	A 110 TSC	<b>18,17</b>	120
12,5	A 125 TSC	<b>18,52</b>	120

**Schlüter®-SCHIENE-TSDA**


alluminio con finitura a rilievo, antracite

H (mm)	L = 2,50 m Cod. Art.	CHF / m	cassa (pz.)
6	A 60 TSDA	<b>16,32</b>	120
8	A 80 TSDA	<b>17,06</b>	120
10	A 100 TSDA	<b>17,80</b>	120
11	A 110 TSDA	<b>18,17</b>	120
12,5	A 125 TSDA	<b>18,52</b>	120

**Schlüter®-SCHIENE-TSG**


alluminio con finitura a rilievo, grigio

H (mm)	L = 2,50 m Cod. Art.	CHF / m	cassa (pz.)
6	A 60 TSG	<b>16,32</b>	120
8	A 80 TSG	<b>17,06</b>	120
10	A 100 TSG	<b>17,80</b>	120
11	A 110 TSG	<b>18,17</b>	120
12,5	A 125 TSG	<b>18,52</b>	120

**Schlüter®-SCHIENE-TSI**


alluminio con finitura a rilievo, avorio

H (mm)	L = 2,50 m Cod. Art.	CHF / m	cassa (pz.)
6	A 60 TSI	<b>16,32</b>	120
8	A 80 TSI	<b>17,06</b>	120
10	A 100 TSI	<b>17,80</b>	120
11	A 110 TSI	<b>18,17</b>	120
12,5	A 125 TSI	<b>18,52</b>	120

**Schlüter®-SCHIENE-TSLA**


alluminio con finitura a rilievo, canna di fucile

H (mm)	L = 2,50 m Cod. Art.	CHF / m	cassa (pz.)
6	A 60 TSLA	<b>16,32</b>	120
8	A 80 TSLA	<b>17,06</b>	120
10	A 100 TSLA	<b>17,80</b>	120
11	A 110 TSLA	<b>18,17</b>	120
12,5	A 125 TSLA	<b>18,52</b>	120

**Schlüter®-SCHIENE-TSOB**


alluminio con finitura a rilievo, bronzo

H (mm)	L = 2,50 m Cod. Art.	CHF / m	cassa (pz.)
6	A 60 TSOB	<b>16,32</b>	120
8	A 80 TSOB	<b>17,06</b>	120
10	A 100 TSOB	<b>17,80</b>	120
11	A 110 TSOB	<b>18,17</b>	120
12,5	A 125 TSOB	<b>18,52</b>	120

**Schlüter®-SCHIENE-TSR**


alluminio con finitura a rilievo, ruggine

H (mm)	L = 2,50 m Cod. Art.	CHF / m	cassa (pz.)
6	A 60 TSR	<b>16,32</b>	120
8	A 80 TSR	<b>17,06</b>	120
10	A 100 TSR	<b>17,80</b>	120
11	A 110 TSR	<b>18,17</b>	120
12,5	A 125 TSR	<b>18,52</b>	120

**Schlüter®-SCHIENE-TSSG**


alluminio con finitura a rilievo, grigio sasso

H (mm)	L = 2,50 m Cod. Art.	CHF / m	cassa (pz.)
6	A 60 TSSG	<b>16,32</b>	120
8	A 80 TSSG	<b>17,06</b>	120
10	A 100 TSSG	<b>17,80</b>	120
11	A 110 TSSG	<b>18,17</b>	120
12,5	A 125 TSSG	<b>18,52</b>	120

## Finiture | Colori disponibili



A pagina 340 e segg. è disponibile una panoramica delle finiture e dei colori.

**i**  
Idoneo per l'impiego in interno con  
basse sollecitazioni meccaniche.



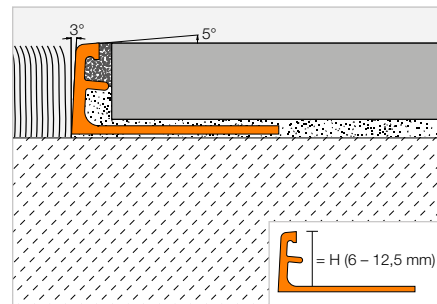
## Profilo di chiusura

### Schlüter®-SCHIENE-A



Schlüter-SCHIENE-A è un profilo decorativo in alluminio, disponibile in diverse finiture anodizzate, colorate e a rilievo. Questo profilo di protezione è caratterizzato da un angolo a 87° tra aletta di fissaggio e lato a vista. Tramite il distanziatore si crea una fuga precisa tra il profilo e la piastrella.

(Scheda tecnica 1.1)



#### Schlüter®-SCHIENE-ACG



alluminio anodizzato effetto cromato lucido

H (mm)	L = 2,50 m Cod. Art.	CHF / m	cassa (pz.)
6	A 60 ACG	15,63	120
8	A 80 ACG	16,10	120
10	A 100 ACG	16,54	120
11	A 110 ACG	16,80	120
12,5	A 125 ACG	17,06	120

#### Schlüter®-SCHIENE-ACGB



alluminio anodizzato effetto cromato spazzolato

H (mm)	L = 2,50 m Cod. Art.	CHF / m	cassa (pz.)
6	A 60 ACGB	15,63	120
8	A 80 ACGB	16,10	120
10	A 100 ACGB	16,54	120
11	A 110 ACGB	16,80	120
12,5	A 125 ACGB	17,06	120

Per profili lunghi 3 m completare il Cod. Art. con "/300" (ad es. A 60 ACG/300).

#### Schlüter®-SCHIENE-AM



alluminio anodizzato effetto ottone

H (mm)	L = 2,50 m Cod. Art.	CHF / m	cassa (pz.)
6	A 60 AM	12,80	120
8	A 80 AM	13,21	120
10	A 100 AM	13,56	120
11	A 110 AM	13,78	120
12,5	A 125 AM	13,99	120

#### Schlüter®-SCHIENE-AMG



alluminio anodizzato effetto ottone lucido

H (mm)	L = 2,50 m Cod. Art.	CHF / m	cassa (pz.)
6	A 60 AMG	15,63	120
8	A 80 AMG	16,10	120
10	A 100 AMG	16,54	120
11	A 110 AMG	16,80	120
12,5	A 125 AMG	17,06	120

#### Schlüter®-SCHIENE-AMGB



alluminio anodizzato effetto ottone spazzolato

H (mm)	L = 2,50 m Cod. Art.	CHF / m	cassa (pz.)
6	A 60 AMGB	15,63	120
8	A 80 AMGB	16,10	120
10	A 100 AMGB	16,54	120
11	A 110 AMGB	16,80	120
12,5	A 125 AMGB	17,06	120

#### Schlüter®-SCHIENE-AK



alluminio anodizzato effetto rame

H (mm)	L = 2,50 m Cod. Art.	CHF / m	cassa (pz.)
6	A 60 AK	12,80	120
8	A 80 AK	13,21	120
10	A 100 AK	13,56	120
11	A 110 AK	13,78	120
12,5	A 125 AK	13,99	120

#### Schlüter®-SCHIENE-AKG



alluminio anodizzato effetto rame lucido

H (mm)	L = 2,50 m Cod. Art.	CHF / m	cassa (pz.)
6	A 60 AKG	15,63	120
8	A 80 AKG	16,10	120
10	A 100 AKG	16,54	120
11	A 110 AKG	16,80	120
12,5	A 125 AKG	17,06	120

#### Schlüter®-SCHIENE-AKGB



alluminio anodizzato effetto rame spazzolato

H (mm)	L = 2,50 m Cod. Art.	CHF / m	cassa (pz.)
6	A 60 AKGB	15,63	120
8	A 80 AKGB	16,10	120
10	A 100 AKGB	16,54	120
11	A 110 AKGB	16,80	120
12,5	A 125 AKGB	17,06	120

#### Schlüter®-SCHIENE-AT



alluminio anodizzato effetto titanio

H (mm)	L = 2,50 m Cod. Art.	CHF / m	cassa (pz.)
6	A 60 AT	12,80	120
8	A 80 AT	13,21	120
10	A 100 AT	13,56	120
11	A 110 AT	13,78	120
12,5	A 125 AT	13,99	120

#### Schlüter®-SCHIENE-ATG



alluminio anodizzato effetto titanio lucido

H (mm)	L = 2,50 m Cod. Art.	CHF / m	cassa (pz.)
6	A 60 ATG	15,63	120
8	A 80 ATG	16,10	120
10	A 100 ATG	16,54	120
11	A 110 ATG	16,80	120
12,5	A 125 ATG	17,06	120

#### Schlüter®-SCHIENE-ATGB



alluminio anodizzato effetto titanio spazzolato

H (mm)	L = 2,50 m Cod. Art.	CHF / m	cassa (pz.)
6	A 60 ATGB	15,63	120
8	A 80 ATGB	16,10	120
10	A 100 ATGB	16,54	120
11	A 110 ATGB	16,80	120
12,5	A 125 ATGB	17,06	120

### Schlüter®-SCHIENE-ABGB



alluminio anodizzato  
effetto bronzo anticato spazzolato

H (mm)	L = 2,50 m Cod. Art.	CHF / m	cassa (pz.)
6	A 60 ABGB	<b>15,63</b>	120
8	A 80 ABGB	<b>16,10</b>	120
10	A 100 ABGB	<b>16,54</b>	120
11	A 110 ABGB	<b>16,80</b>	120
12,5	A 125 ABGB	<b>17,06</b>	120

### Schlüter®-SCHIENE-AGRB



alluminio anodizzato  
effetto grafite spazzolato

H (mm)	L = 2,50 m Cod. Art.	CHF / m	cassa (pz.)
6	A 60 AGRB	<b>15,63</b>	120
8	A 80 AGRB	<b>16,10</b>	120
10	A 100 AGRB	<b>16,54</b>	120
11	A 110 AGRB	<b>16,80</b>	120
12,5	A 125 AGRB	<b>17,06</b>	120

### Schlüter®-SCHIENE-AGSG



alluminio anodizzato  
effetto nero lucido

H (mm)	L = 2,50 m Cod. Art.	CHF / m	cassa (pz.)
6	A 60 AGSG	<b>15,63</b>	120
8	A 80 AGSG	<b>16,10</b>	120
10	A 100 AGSG	<b>16,54</b>	120
11	A 110 AGSG	<b>16,80</b>	120
12,5	A 125 AGSG	<b>17,06</b>	120

A pagina 340 e segg. è disponibile una panoramica delle finiture e dei colori.

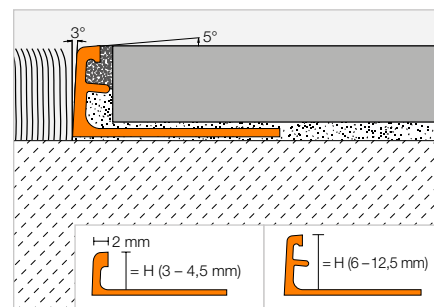
**i**  
Idoneo per l'impiego in interno con basse sollecitazioni meccaniche.

### Profilo di chiusura

### Schlüter®-SCHIENE-AC



Schlüter-SCHIENE-AC è un profilo decorativo in alluminio colorato. Questo profilo di protezione è caratterizzato da un angolo a 87° tra aletta di fissaggio e lato a vista. Tramite il distanziatore si crea una fuga precisa tra il profilo e la piastrella.  
(Scheda tecnica 1.1)



### Schlüter®-SCHIENE-AC



alluminio colorato

H (mm)	L = 2,50 m Cod. Art.	CHF / m	cassa (pz.)
3	A 30 ...*	<b>8,09</b>	120
4,5	A 45 ...*	<b>8,28</b>	120
6	A 60 ...*	<b>8,45</b>	120
8	A 80 ...*	<b>8,94</b>	120
10	A 100 ...*	<b>9,60</b>	120
11	A 110 ...*	<b>9,91</b>	120
12,5	A 125 ...*	<b>10,27</b>	120

**i**  
Idoneo per l'impiego in interno con basse sollecitazioni meccaniche.

Per profili lunghi 3 m completare il Cod. Art. con "/300" (ad es. A 60 GS/300).

Completare il Cod. Art. con il colore (ad es. A 30 BW)



\* Colori disponibili L = 2,50 m: BH - BW - G - GM - GS - HB - HG - MBW - MGS - PG - RB - SB - W

Colori disponibili L = 3,00 m: BW - GS - MBW - PG - W

A pagina 340 e segg. è disponibile una panoramica delle finiture e dei colori.



# Schlüter®-SCHIENE-ES

## Col distanziatore è meglio!

- ✓ Una fuga perfetta in tutta la sua lunghezza
- ✓ Posa facile e accurata
- ✓ Ancoraggio più solido della stuccatura tra profilo e piastrella
- ✓ L'unico profilo in acciaio inossidabile con distanziatore integrato
- ✓ Tecnologia brevettata del distanziatore per una fuga perfetta
- ✓ In "acciaio" ed "acciaio spazzolato"
- ✓ Il distanziatore - scopri la differenza

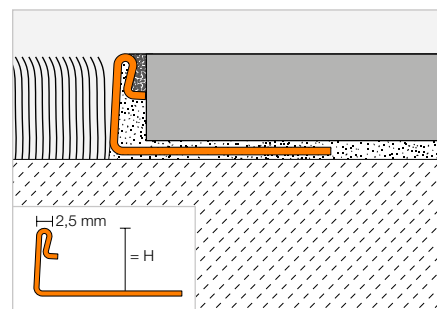


### Profilo di chiusura

## Schlüter®-SCHIENE-ES



Schlüter-SCHIENE-ES è un profilo di chiusura con angolazione a 87° per piastrelle o pietre naturali in acciaio inossidabile con distanziatore integrato per creare uno spazio definito per la fuga tra il profilo e la piastrella. (Scheda tecnica 1.1)



### Schlüter®-SCHIENE-ES



profilo in acciaio inossidabile V2A con distanziatore

H (mm)	L = 2,50 m Cod. Art.	CHF / m	cassa (pz.)
8	ES 80	13,35	120
10	ES 100	14,02	120
11	ES 110	14,80	120
12,5	ES 125	15,30	120
<b>L = 1,00 m</b>			
8	ES 80 / 100	14,02	240
10	ES 100 / 100	14,74	240
11	ES 110 / 100	15,54	240
12,5	ES 125 / 100	16,02	240

### Schlüter®-SCHIENE-ES-EB



profilo in acciaio inossidabile V2A spazzolato con distanziatore

H (mm)	L = 2,50 m Cod. Art.	CHF / m	cassa (pz.)
8	ES 80 EB	19,77	120
10	ES 100 EB	20,45	120
11	ES 110 EB	21,49	120
12,5	ES 125 EB	21,73	120

Per profili lunghi 3 m completare il Cod. Art. con "/300" (ad es. ES 80/300).

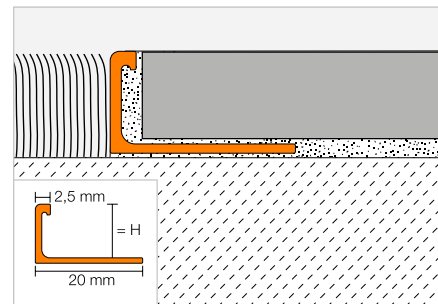
### Nota:

Per ragioni tecniche non è possibile avere profili da 1 m con la speciale traforatura per rendere curvabile il profilo.

## Profilo di chiusura

**Schlüter®-SCHIENE-BASIC**


Schlüter-SCHIENE-BASIC è un profilo che protegge i bordi delle piastrelle e consente di separare due pavimentazioni di tipo diverso.


**Schlüter®-SCHIENE-BASIC-M**

ottone

H (mm)	L = 2,50 m Cod. Art.	CHF / m	cassa (pz.)
–	–	–	–
8	MBS 80	<b>10,06</b>	120
10	MBS 100	<b>10,61</b>	120
–	–	–	–
12,5	MBS 125	<b>11,50</b>	120
<b>L = 1,00 m</b>			
–	–	–	–
8	MBS 80/100	<b>10,72</b>	240
10	MBS 100/100	<b>11,30</b>	240
–	–	–	–
12,5	MBS 125/100	<b>12,18</b>	240

**Schlüter®-SCHIENE-BASIC-A**

alluminio

H (mm)	L = 2,50 m Cod. Art.	CHF / m	cassa (pz.)
6	ABS 60	<b>3,71</b>	120
8	ABS 80	<b>3,88</b>	120
10	ABS 100	<b>4,23</b>	120
11	ABS 110	<b>4,43</b>	120
12,5	ABS 125	<b>4,58</b>	120
<b>L = 1,00 m</b>			
6	ABS 60/100	<b>4,42</b>	240
8	ABS 80/100	<b>4,58</b>	240
10	ABS 100/100	<b>4,89</b>	240
11	ABS 110/100	<b>5,05</b>	240
12,5	ABS 125/100	<b>5,26</b>	240

**Schlüter®-SCHIENE-BASIC-AE**

alluminio anodizzato

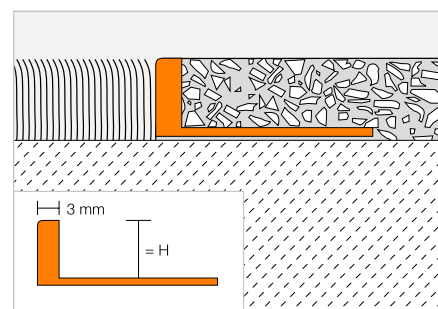
H (mm)	L = 2,50 m Cod. Art.	CHF / m	cassa (pz.)
6	AEBS 60	<b>5,47</b>	120
8	AEBS 80	<b>5,77</b>	120
10	AEBS 100	<b>5,99</b>	120
11	AEBS 110	<b>6,20</b>	120
12,5	AEBS 125	<b>6,50</b>	120

Per profili lunghi 3 m completare il Cod. Art. con "/300" (ad es. ABS 60/300).

## Profilo di chiusura

**Schlüter®-SCHIENE-V**


Schlüter-SCHIENE-V è un profilo che protegge i bordi dei rivestimenti in legno o in altri materiali rigidi. La geometria uniforme del profilo (largh. 3 mm) consente la lavorazione del rivestimento.


**Schlüter®-SCHIENE-AV**

alluminio

H (mm)	L = 2,50 m Cod. Art.	CHF / m	cassa (pz.)
10	A 100 V	<b>6,90</b>	120
12,5	A 125 V	<b>7,07</b>	120
26	A 260 V	<b>10,32</b>	120

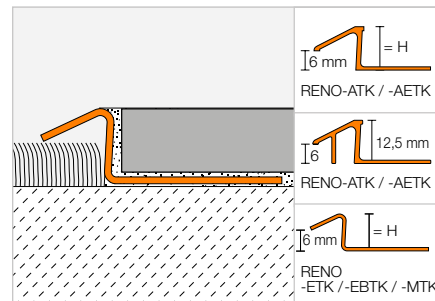


## Profilo di raccordo

### Schlüter®-RENO-TK



Schlüter-RENO-TK è un profilo adatto per raccordare un pavimento in ceramica ad uno adiacente di minore spessore in moquette o in altro materiale. Protegge inoltre i bordi tra rivestimento e pavimento adiacente. (Scheda tecnica 1.4)



#### Schlüter®-RENO-MTK



ottone

H (mm)	L = 2,50 m Cod. Art.	CHF / m	cassa (pz.)
8	MTK 80	<b>16,94</b>	60
10	MTK 100	<b>18,36</b>	60
12,5	MTK 125	<b>24,83</b>	60
<b>L = 1,00 m</b>			
8	MTK 80/100	<b>17,68</b>	60
10	MTK 100/100	<b>19,08</b>	60
12,5	MTK 125/100	<b>25,49</b>	60

#### Schlüter®-RENO-ATK



alluminio

H (mm)	L = 2,50 m Cod. Art.	CHF / m	cassa (pz.)
8	ATK 80	<b>6,87</b>	60
10	ATK 100	<b>7,35</b>	60
12,5	ATK 125	<b>9,76</b>	60
<b>L = 1,00 m</b>			
8	ATK 80/100	<b>7,66</b>	60
10	ATK 100/100	<b>8,15</b>	60
12,5	ATK 125/100	<b>10,51</b>	60

#### Schlüter®-RENO-AETK



alluminio anodizzato

H (mm)	L = 2,50 m Cod. Art.	CHF / m	cassa (pz.)
8	AETK 80	<b>10,60</b>	60
10	AETK 100	<b>11,00</b>	60
12,5	AETK 125	<b>13,05</b>	60
<b>L = 1,00 m</b>			
8	AETK 80/100	<b>11,38</b>	60
10	AETK 100/100	<b>11,85</b>	60
12,5	AETK 125/100	<b>13,81</b>	60

#### Schlüter®-RENO-ETK

acciaio inossidabile V2A

H (mm)	L = 2,50 m Cod. Art.	CHF / m	cassa (pz.)
8	ETK 80	<b>18,10</b>	60
10	ETK 100	<b>20,46</b>	60
11	ETK 110	<b>22,24</b>	60
12,5	ETK 125	<b>23,27</b>	60
<b>L = 1,00 m</b>			
8	ETK 80/100	<b>19,10</b>	60
10	ETK 100/100	<b>21,48</b>	60
11	ETK 110/100	<b>23,29</b>	60
12,5	ETK 125/100	<b>24,26</b>	60

#### Schlüter®-RENO-EBTK

acciaio inossidabile V2A spazzolato

H (mm)	L = 2,50 m Cod. Art.	CHF / m	cassa (pz.)
8	EBTK 80	<b>23,49</b>	60
10	EBTK 100	<b>26,60</b>	60
11	EBTK 110	<b>28,77</b>	60
12,5	EBTK 125	<b>30,23</b>	60
<b>L = 1,00 m</b>			
8	EBTK 80/100	<b>24,54</b>	60
10	EBTK 100/100	<b>27,68</b>	60
11	EBTK 110/100	<b>29,92</b>	60
12,5	EBTK 125/100	<b>31,30</b>	60

#### Nota:

Per ragioni tecniche non è possibile avere profili da 1 m con la speciale traforatura per rendere curvabile il profilo.

# Schlüter®-RENO-V

Profilo con ala di raccordo snodabile



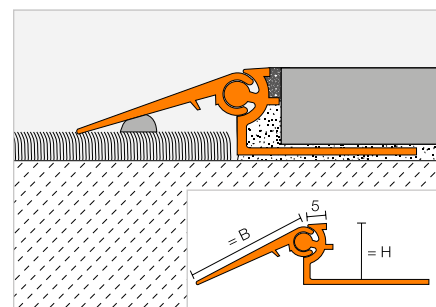
- ✓ Per non inciampare
- ✓ Ala di raccordo snodabile
- ✓ Protegge i bordi del rivestimento
- ✓ Per un raccordo pulito con rivestimenti in moquette o materiale vinilico
- ✓ Disponibile in sei diverse altezze e con ala in tre diverse larghezze
- ✓ E' possibile abbinare liberamente la parte portante con l'ala di raccordo in tutte le sue misure

## Profilo di raccordo

### Schlüter®-RENO-V



Schlüter-RENO-V è un profilo con un'ala di raccordo snodabile per unire pavimentazioni di diverso spessore senza creare dislivelli. Tramite il distanziatore si crea una fuga precisa tra il profilo e la piastrella. (Scheda tecnica 1.7)



### Schlüter®-RENO-AV

alluminio

H (mm)	L = 2,50 m Cod. Art.	CHF / m	cassa (pz.)
8	AVT 80 B20	<b>17,04</b>	40
10	AVT 100 B20	<b>17,48</b>	40
12,5	AVT 125 B30	<b>19,71</b>	40
15	AVT 150 B30	<b>19,92</b>	40
17,5	AVT 175 B40	<b>23,04</b>	40
20	AVT 200 B40	<b>23,71</b>	40
<b>L = 1,00 m</b>			
8	AVT 80 B20/100	<b>18,52</b>	60
10	AVT 100 B20/100	<b>18,87</b>	60
12,5	AVT 125 B30/100	<b>21,21</b>	60
15	AVT 150 B30/100	<b>21,43</b>	60
17,5	AVT 175 B40/100	<b>24,53</b>	60
20	AVT 200 B40/100	<b>25,32</b>	60

### Schlüter®-RENO-AEV

alluminio anodizzato

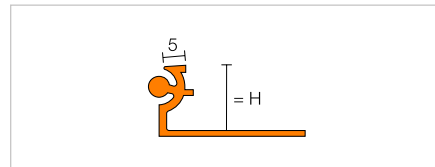
H (mm)	L = 2,50 m Cod. Art.	CHF / m	cassa (pz.)
8	AEVT 80 B20	<b>26,30</b>	40
10	AEVT 100 B20	<b>26,78</b>	40
12,5	AEVT 125 B30	<b>29,21</b>	40
15	AEVT 150 B30	<b>29,92</b>	40
17,5	AEVT 175 B40	<b>33,42</b>	40
20	AEVT 200 B40	<b>35,09</b>	40
<b>L = 1,00 m</b>			
8	AEVT 80 B20/100	<b>27,76</b>	60
10	AEVT 100 B20/100	<b>28,28</b>	60
12,5	AEVT 125 B30/100	<b>30,73</b>	60
15	AEVT 150 B30/100	<b>31,28</b>	60
17,5	AEVT 175 B40/100	<b>34,81</b>	60
20	AEVT 200 B40/100	<b>36,62</b>	60



## Profilo di raccordo

### Schlüter®-RENO-VT

Schlüter-RENO-VT è un profilo portante per l'ala di raccordo Schlüter-RENO-VB. Entrambi gli articoli possono essere combinati tra loro in tutte le misure.  
(Scheda tecnica 1.7)



#### Schlüter®-RENO-AVT

profilo di raccordo a pavimento  
in alluminio

H (mm)	L = 2,50 m Cod. Art.	CHF / m	cassa (pz.)
8	AVT 80	<b>8,55</b>	60
10	AVT 100	<b>9,05</b>	60
12,5	AVT 125	<b>9,48</b>	60
15	AVT 150	<b>9,76</b>	60
17,5	AVT 175	<b>10,17</b>	60
20	AVT 200	<b>10,93</b>	60

#### Schlüter®-RENO-AEVT

profilo di raccordo a pavimento  
in alluminio anodizzato

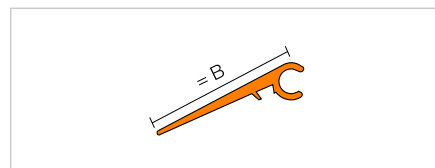
H (mm)	L = 2,50 m Cod. Art.	CHF / m	cassa (pz.)
8	AEVT 80	<b>11,44</b>	60
10	AEVT 100	<b>12,01</b>	60
12,5	AEVT 125	<b>12,63</b>	60
15	AEVT 150	<b>13,30</b>	60
17,5	AEVT 175	<b>13,93</b>	60
20	AEVT 200	<b>15,75</b>	60

I prezzi dei profili Schlüter-RENO-VT e -VB da 1 m vengono forniti su richiesta (aggiungere al Cod. Art. "/100", ad es. AVT 80/100).

## Profilo di raccordo

### Schlüter®-RENO-VB

Schlüter-RENO-VB è l'ala di raccordo che può essere combinata con il profilo portante Schlüter-RENO-VT in tutte le sue misure.  
(Scheda tecnica 1.7)



#### Schlüter®-RENO-AVB

alluminio

B (mm)	L = 2,50 m Cod. Art.	CHF / m	cassa (pz.)
20	AVB 20	<b>4,45</b>	60
30	AVB 30	<b>6,21</b>	60
40	AVB 40	<b>9,13</b>	60

#### Schlüter®-RENO-AEVB

alluminio anodizzato

B (mm)	L = 2,50 m Cod. Art.	CHF / m	cassa (pz.)
20	AEVB 20	<b>11,14</b>	60
30	AEVB 30	<b>13,05</b>	60
40	AEVB 40	<b>16,09</b>	60

I prezzi dei profili Schlüter-RENO-VT e -VB da 1 m vengono forniti su richiesta (aggiungere al Cod. Art. "/100", ad es. AVT 80/100).

## Profilo ad L

### Schlüter®-WINKEL



Schlüter-WINKEL è un solido profilo angolare non traforato, che può essere utilizzato in varie applicazioni.

#### Schlüter®-WINKEL-A

alluminio

L = 2,50 m Cod. Art.	CHF / m	cassa (pz.)
AW 15 x 30 x 2	<b>7,35</b>	60
AW 20 x 20 x 2	<b>6,54</b>	60
AW 30 x 30 x 2	<b>10,05</b>	60
AW 30 x 30 x 3	<b>14,81</b>	60
AW 40 x 20 x 2	<b>9,98</b>	60
AW 40 x 40 x 3	<b>19,83</b>	60

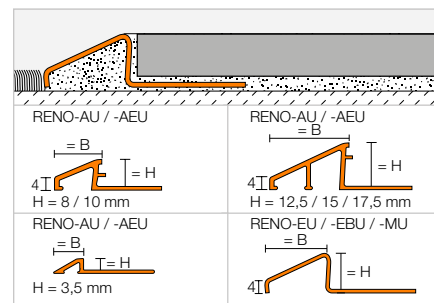


Profilo di raccordo

Schlüter®-RENO-U



Schlüter-RENO-U è un profilo indicato per raccordare pavimentazioni di diversa altezza. Tramite il distanziatore si crea una fuga precisa tra il profilo e la piastrella. Schlüter-RENO-EU, -EBU e -MU sono privi di distanziatore. (Scheda tecnica 1.2)



Schlüter®-RENO-MU

ottone

H (mm)	B (mm)	L = 2,50 m Cod. Art.	CHF / m	cassa (pz.)
—	—	—	—	—
8	12,5	MU 80	<b>20,24</b>	60
10	16,5	MU 100	<b>22,67</b>	60
12,5	22	MU 125	<b>30,02</b>	60
15	27,5	MU 150	<b>33,21</b>	60
—	—	—	—	—
L = 1,00 m				
8	12,5	MU 80/100	<b>21,33</b>	60
10	16,5	MU 100/100	<b>23,71</b>	60
12,5	22	MU 125/100	<b>31,08</b>	60

Schlüter®-RENO-AU

alluminio

H (mm)	B (mm)	L = 2,50 m Cod. Art.	CHF / m	cassa (pz.)
3,5	9	AU 35	<b>7,59</b>	60
8	12,5	AU 80	<b>7,89</b>	60
10	16,5	AU 100	<b>8,76</b>	60
12,5	22	AU 125	<b>11,29</b>	60
15	27,5	AU 150	<b>12,63</b>	60
17,5	27	AU 175	<b>14,16</b>	60
L = 1,00 m				
8	12,5	AU 80/100	<b>9,05</b>	60
10	16,5	AU 100/100	<b>9,86</b>	60
12,5	22	AU 125/100	<b>12,32</b>	60

Schlüter®-RENO-AEU

alluminio anodizzato

H (mm)	B (mm)	L = 2,50 m Cod. Art.	CHF / m	cassa (pz.)
3,5	9	AEU 35	<b>10,77</b>	60
8	12,5	AEU 80	<b>11,54</b>	60
10	16,5	AEU 100	<b>12,63</b>	60
12,5	22	AEU 125	<b>15,34</b>	60
15	27,5	AEU 150	<b>17,13</b>	60
17,5	27	AEU 175	<b>18,52</b>	60
L = 1,00 m				
8	12,5	AEU 80/100	<b>12,63</b>	60
10	16,5	AEU 100/100	<b>13,81</b>	60
12,5	22	AEU 125/100	<b>16,37</b>	60

Schlüter®-RENO-EU

acciaio inossidabile V2A

H (mm)	B (mm)	L = 2,50 m Cod. Art.	CHF / m	cassa (pz.)
8	13	EU 80	<b>21,92</b>	60
10	17,5	EU 100	<b>24,03</b>	60
11	20	EU 110	<b>25,77</b>	60
12,5	23	EU 125	<b>26,62</b>	60
15	28	EU 150	<b>28,94</b>	60
17,5	33,5	EU 175	<b>31,55</b>	60
20	44,5	EU 200	<b>34,31</b>	60
L = 1,00 m				
8	13	EU 80/100	<b>22,94</b>	60
10	17,5	EU 100/100	<b>25,06</b>	60
11	20	EU 110/100	<b>26,79</b>	60
12,5	23	EU 125/100	<b>27,70</b>	60

Schlüter®-RENO-EBU

acciaio inossidabile V2A spazzolato

H (mm)	B (mm)	L = 2,50 m Cod. Art.	CHF / m	cassa (pz.)
8	13	EBU 80	<b>28,46</b>	60
10	17,5	EBU 100	<b>31,22</b>	60
11	20	EBU 110	<b>33,57</b>	60
12,5	23	EBU 125	<b>34,55</b>	60
15	28	EBU 150	<b>37,66</b>	60
17,5	33,5	EBU 175	<b>40,98</b>	60
20	44,5	EBU 200	<b>44,61</b>	60
L = 1,00 m				
8	13	EBU 80/100	<b>29,51</b>	60
10	17,5	EBU 100/100	<b>32,24</b>	60
11	20	EBU 110/100	<b>34,61</b>	60
12,5	23	EBU 125/100	<b>35,60</b>	60

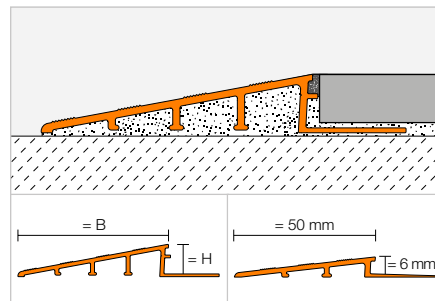


## Profilo di raccordo

### Schlüter®-RENO-RAMP



Schlüter-RENO-RAMP è un profilo che consente di raccordare pavimenti in ceramica, soggetti a forti sollecitazioni, con rivestimenti adiacenti ma di altezza minore. Tramite il distanziatore si crea una fuga precisa tra il profilo e la piastrella.  
(Scheda tecnica 1.2)



### Schlüter®-RENO-RAMP-AE

alluminio anodizzato

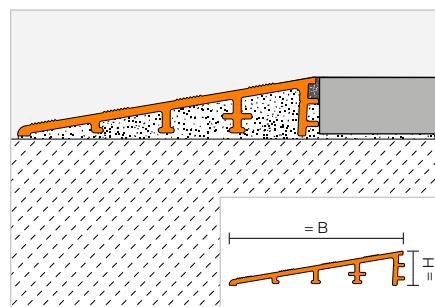
H (mm)	B (mm)	L = 2,50 m Cod. Art.	CHF / m	cassa (pz.)
6	50	AERP 60 B50	26,79	60
10	64	AERP 100 B65	28,44	60
12,5	64	AERP 125 B65	29,12	60
12,5	89	AERP 125 B90	33,87	60
15	89	AERP 150 B90	36,92	60
20	89	AERP 200 B90	43,79	60

## Profilo di raccordo

### Schlüter®-RENO-RAMP-K



Schlüter-RENO-RAMP-K è un profilo che consente di raccordare senza dislivello una pavimentazione in ceramica con una pavimentazione di quota più bassa. Il profilo può essere utilizzato in zone con traffico intenso ed è privo di aletta di fissaggio per permettere un'applicazione anche a posa ultimata.  
(Scheda tecnica 1.2)



### Schlüter®-RENO-RAMP-K

alluminio anodizzato

H (mm)	B (mm)	L = 2,50 m Cod. Art.	CHF / m	cassa (pz.)
12,5	64	AERPK 125 B65	24,72	60

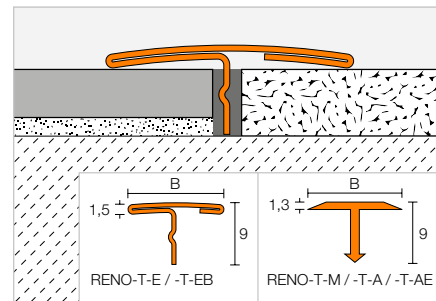


## Profilo di raccordo

**Schlüter®-RENO-T**


Schlüter-RENO-T è un profilo che viene inserito a posa ultimata tra rivestimenti adiacenti di pari livello.

(Scheda tecnica 1.3)


**Schlüter®-RENO-T-M**

ottone

B (mm)	L = 2,50 m Cod. Art.	CHF / m	cassa (pz.)
14	T 9/14 M	<b>9,48</b>	120
25	T 9/25 M	<b>16,21</b>	120
L = 1,00 m			
14	T 9/14 M/100	<b>10,29</b>	120
25	T 9/25 M/100	<b>16,94</b>	120

**Schlüter®-RENO-T-A**

alluminio

B (mm)	L = 2,50 m Cod. Art.	CHF / m	cassa (pz.)
14	T 9/14 A	<b>3,72</b>	120
25	T 9/25 A	<b>4,75</b>	120
L = 1,00 m			
14	T 9/14 A/100	<b>4,39</b>	120
25	T 9/25 A/100	<b>5,47</b>	120

**Schlüter®-RENO-T-AE**

alluminio anodizzato

B (mm)	L = 2,50 m Cod. Art.	CHF / m	cassa (pz.)
14	T 9/14 AE	<b>5,98</b>	120
25	T 9/25 AE	<b>6,45</b>	120
L = 1,00 m			
14	T 9/14 AE/100	<b>6,74</b>	120
25	T 9/25 AE/100	<b>7,16</b>	120

**Schlüter®-RENO-T-E**

acciaio inossidabile V2A

B (mm)	L = 2,50 m Cod. Art.	CHF / m	cassa (pz.)
14	T 9/14 E	<b>13,77</b>	120
25	T 9/25 E	<b>17,80</b>	120
L = 1,00 m			
14	T 9/14 E/100	<b>14,54</b>	120
25	T 9/25 E/100	<b>18,51</b>	120

**Schlüter®-RENO-T-EB**

acciaio inossidabile V2A spazzolato

B (mm)	L = 2,50 m Cod. Art.	CHF / m	cassa (pz.)
14	T 9/14 EB	<b>17,91</b>	120
25	T 9/25 EB	<b>23,08</b>	120
L = 1,00 m			
14	T 9/14 EB/100	<b>18,91</b>	120
25	T 9/25 EB/100	<b>24,09</b>	120

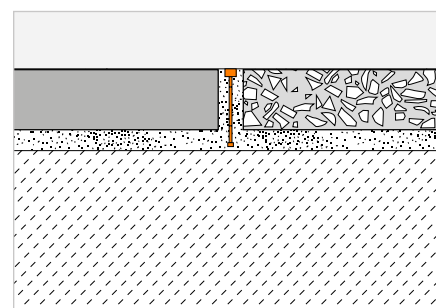
**Nota:**

I profili Schlüter-RENO-T-M / -T-A / -T-AE anche se sprovvisti di traforatura speciale si possono curvare usando Schlüter-RUMA.

## Profilo di separazione

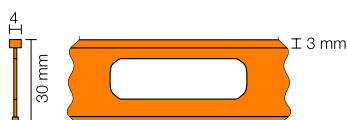
**Schlüter®-TERRAZZO**


Schlüter-TERRAZZO è un profilo decorativo di separazione in ottone, adatto per essere utilizzato nei pavimenti alla "Veneziana".


**Schlüter®-TERRAZZO-M**

ottone

H (mm)	L = 2,50 m Cod. Art.	CHF / m	cassa (pz.)
30	TM 4 x 30	<b>14,89</b>	120





# Profili Schlüter

## Profili decorativi di chiusura

La protezione dei bordi non è solo una questione di gusti. I rivestimenti in ceramica sono troppo preziosi per non essere protetti. Con i profili di protezione Schlüter-Systems potete proteggere in modo elegante ed affidabile il Vostro lavoro. E grazie alla varietà delle diverse gamme, dei colori e delle superfici, avete l'assoluta libertà di scelta.





## Profili di chiusura

Schlüter®-QUADEC	55–64
Schlüter®-RONDEC	65–75
Schlüter®-JOLLY	77–83
Schlüter®-FINEC	85–90
Schlüter®-DECO	91–92
Schlüter®-INDEC	92
Schlüter®-RONDEC-STEP	104–105
Schlüter®-SCHIENE-STEP	106–107

## Profili ad angolo

Schlüter®-ECK	93–94
---------------	-------

## Profili a sguscia per angoli interni

Schlüter®-ECK-KHK	95
-------------------	----

## Profili decorativi

Schlüter®-DESIGNLINE	96
----------------------	----

## Profili per inserti decorativi

Schlüter®-QUADEC-FS	97
---------------------	----

## Profili di alloggiamento

Schlüter®-DECO-SG	98
-------------------	----

## Profili per battiscopa

Schlüter®-DESIGNBASE	99–102
----------------------	--------



# Profili Schlüter

“Heavy Metal” per la ceramica

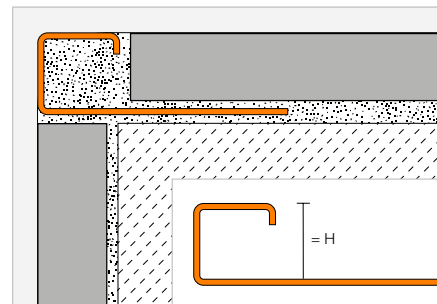
Ecco le nostre soluzioni per ottenere un'efficace protezione dei bordi da abbinarsi alla cromatura della rubinetteria. I profili Schlüter-QUADEC in acciaio od ottone cromato aggiungono bellezza e valore alla vostra ceramica.



## Profilo di chiusura

**Schlüter®-QUADEC-MC**


Schlüter-QUADEC-MC è un profilo di chiusura in ottone cromato con funzione di paraspi-golo, adatto per proteggere gli angoli ed i rivestimenti in ceramica. La superficie a vista del profilo è ad angolo retto e sostituisce l'angolo a spigolo vivo del rivestimento. (Scheda tecnica 2.10)


**Schlüter®-QUADEC-MC**

ottone cromato

H (mm)	L = 2,50 m Cod. Art.	CHF / m	cassa (pz.)
6	Q 60 MC	<b>39,87</b>	120
8	Q 80 MC	<b>42,19</b>	120
10	Q 100 MC	<b>43,96</b>	120
11	Q 110 MC	<b>45,26</b>	120
12,5	Q 125 MC	<b>46,41</b>	120
15	Q 150 MC	<b>48,92</b>	120

## Angolo

**Schlüter®-QUADEC-MC/EV**

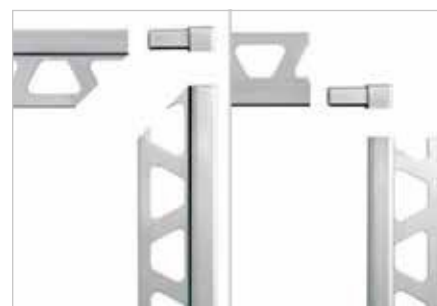
 angolo esterno / interno 90°  
ottone cromato

H (mm)	Cod. Art.	CHF / pz	crt. (pz.)
6	EV / Q 60 MC	<b>22,98</b>	50
8	EV / Q 80 MC	<b>23,48</b>	50
10	EV / Q 100 MC	<b>25,34</b>	50
11	EV / Q 110 MC	<b>25,69</b>	50
12,5	EV / Q 125 MC	<b>25,94</b>	50
15	EV / Q 150 MC	<b>26,94</b>	50

**Schlüter®-QUADEC-MC/ED**

 angolo esterno / interno 90°  
metallico decorato

H (mm)	Cod. Art.	CHF / pz	crt. (pz.)
6	ED / Q 60 MC	<b>5,25</b>	50
8	ED / Q 80 MC	<b>5,25</b>	50
10	ED / Q 100 MC	<b>5,25</b>	50
11	ED / Q 110 MC	<b>5,25</b>	50
12,5	ED / Q 125 MC	<b>5,25</b>	50
15	ED / Q 150 MC	<b>5,25</b>	50



Gli angoli possono essere utilizzati sia come angoli interni che esterni.

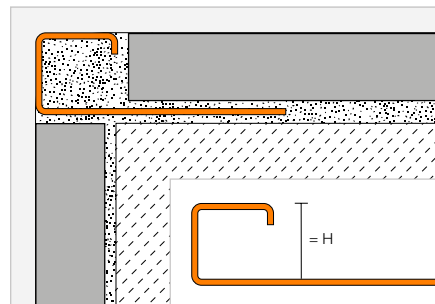


## Profilo di chiusura

### Schlüter®-QUADEC-E



Schlüter-QUADEC-E è un profilo di chiusura in acciaio inossidabile con funzione di parapigolo, adatto per proteggere gli angoli ed i rivestimenti in ceramica. La superficie a vista del profilo è ad angolo retto e sostituisce l'angolo a spigolo vivo del rivestimento. (Scheda tecnica 2.10)



#### Schlüter®-QUADEC-E



acciaio inossidabile V2A

H (mm)	L = 2,50 m Cod. Art.	CHF / m	cassa (pz.)
4,5	Q 45 E	15,38	120
6	Q 60 E	16,39	120
7	Q 70 E	17,05	120
8	Q 80 E	17,69	120
9	Q 90 E	18,55	120
10	Q 100 E	18,92	120
11	Q 110 E	19,35	120
12,5	Q 125 E	20,08	120
14	Q 140 E	20,78	120
15	Q 150 E	21,38	120

#### Schlüter®-QUADEC-EB



acciaio inossidabile V2A spazzolato

H (mm)	L = 2,50 m Cod. Art.	CHF / m	cassa (pz.)
—	—	—	—
6	Q 60 EB	21,54	120
7	Q 70 EB	22,21	120
8	Q 80 EB	23,20	120
9	Q 90 EB	24,12	120
10	Q 100 EB	24,84	120
11	Q 110 EB	25,83	120
12,5	Q 125 EB	26,38	120
14	Q 140 EB	27,74	120
15	Q 150 EB	28,18	120

#### Schlüter®-QUADEC-EP



acciaio inossidabile V2A lucido

H (mm)	L = 2,50 m Cod. Art.	CHF / m	cassa (pz.)
—	—	—	—
6	Q 60 EP	29,86	120
—	—	—	—
8	Q 80 EP	31,10	120
—	—	—	—
10	Q 100 EP	32,35	120
—	—	—	—
12,5	Q 125 EP	34,84	120
—	—	—	—
15	Q 150 EP	37,32	120

#### Schlüter®-QUADEC-E V4A



acciaio inossidabile V4A

H (mm)	L = 2,50 m Cod. Art.	CHF / m	cassa (pz.)
6	Q 60 E / V4A	18,23	120
8	Q 80 E / V4A	19,66	120
10	Q 100 E / V4A	21,05	120
12,5	Q 125 E / V4A	22,28	120

#### Nota:

Il profilo Schlüter-QUADEC-E/-EB altezza 14/15 mm non è disponibile nella versione con lavorazione speciale per "curvabilità".

Il profilo Schlüter-QUADEC-EP altezza 15 mm non è disponibile nella versione con lavorazione speciale per "curvabilità".

Per profili lunghi 3 m completare il Cod. Art. con "/300" (ad es. Q 60 E/300).

## Angolo | Terminale | Innesto

#### Schlüter®-QUADEC-E/EV

angolo esterno / interno 90°  
acciaio inossidabile V2A

H (mm)	Cod. Art.	CHF / pz	crt. (pz.)
4,5	EV / Q 45 E	26,75	50
6	EV / Q 60 E	27,33	50
7	EV / Q 70 E	27,68	50
8	EV / Q 80 E	28,02	50
9	EV / Q 90 E	29,71	50
10	EV / Q 100 E	30,32	50
11	EV / Q 110 E	30,66	50
12,5	EV / Q 125 E	30,98	50
14	EV / Q 140 E	31,56	50
15	EV / Q 150 E	31,71	50

#### Schlüter®-QUADEC-E/ED

angolo esterno / interno 90°  
metallico decorato

H (mm)	Cod. Art.	CHF / pz	crt. (pz.)
4,5	ED / Q 45 E	5,34	50
6	ED / Q 60 E	5,34	50
7	ED / Q 70 E	5,34	50
8	ED / Q 80 E	5,34	50
9	ED / Q 90 E	5,34	50
10	ED / Q 100 E	5,34	50
11	ED / Q 110 E	5,34	50
12,5	ED / Q 125 E	5,34	50
14	ED / Q 140 E	5,34	50
15	ED / Q 150 E	5,34	50





**Schlüter®-QUADEC-EB/EV**

 angolo esterno / interno 90°  
 acciaio inossidabile V2A spazzolato

H (mm)	Cod. Art.	CHF / pz	crt. (pz.)
6	EV / Q 60 EB	<b>31,73</b>	50
7	EV / Q 70 EB	<b>32,15</b>	50
8	EV / Q 80 EB	<b>32,56</b>	50
9	EV / Q 90 EB	<b>33,69</b>	50
10	EV / Q 100 EB	<b>35,16</b>	50
11	EV / Q 110 EB	<b>35,38</b>	50
12,5	EV / Q 125 EB	<b>35,95</b>	50
14	EV / Q 140 EB	<b>36,17</b>	50
15	EV / Q 150 EB	<b>36,77</b>	50

**Schlüter®-QUADEC-EB/ED**

 angolo esterno / interno 90°  
 metallico decorato spazzolato

H (mm)	Cod. Art.	CHF / pz	crt. (pz.)
6	ED / Q 60 EB	<b>7,79</b>	50
7	ED / Q 70 EB	<b>7,79</b>	50
8	ED / Q 80 EB	<b>7,79</b>	50
9	ED / Q 90 EB	<b>7,79</b>	50
10	ED / Q 100 EB	<b>7,79</b>	50
11	ED / Q 110 EB	<b>7,79</b>	50
12,5	ED / Q 125 EB	<b>7,79</b>	50
14	ED / Q 140 EB	<b>7,79</b>	50
15	ED / Q 150 EB	<b>7,79</b>	50

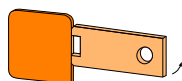


Gli angoli possono essere utilizzati sia come angoli interni che esterni.

**Schlüter®-QUADEC-EB/EK\***

terminale acciaio inossidabile V2A spazzolato

H (mm)	Cod. Art.	CHF / pz	crt. (pz.)
6	EK / Q 60 EB	<b>2,74</b>	50
7	EK / Q 70 EB	<b>2,74</b>	50
8	EK / Q 80 EB	<b>2,74</b>	50
9	EK / Q 90 EB	<b>2,74</b>	50
10	EK / Q 100 EB	<b>2,74</b>	50
11	EK / Q 110 EB	<b>2,74</b>	50
12,5	EK / Q 125 EB	<b>2,74</b>	50
14	EK / Q 140 EB	<b>2,74</b>	50
15	EK / Q 150 EB	<b>2,74</b>	50



Schlüter®-QUADEC-EB/EK

\* utilizzabile con Schlüter®-QUADEC-E, V2A.

**Schlüter®-QUADEC-EP/EV**

 angolo esterno / interno 90°  
 acciaio inossidabile V2A lucido

H (mm)	Cod. Art.	CHF / pz	crt. (pz.)
6	EV / Q 60 EP	<b>30,28</b>	50
8	EV / Q 80 EP	<b>32,08</b>	50
10	EV / Q 100 EP	<b>34,40</b>	50
12,5	EV / Q 125 EP	<b>37,32</b>	50
15	EV / Q 150 EP	<b>41,47</b>	50

**Schlüter®-QUADEC-EP/ED**

 angolo esterno / interno 90°  
 metallico decorato lucido

H (mm)	Cod. Art.	CHF / pz	crt. (pz.)
6	ED / Q 60 EP	<b>5,39</b>	50
8	ED / Q 80 EP	<b>5,39</b>	50
10	ED / Q 100 EP	<b>5,39</b>	50
12,5	ED / Q 125 EP	<b>5,39</b>	50
15	ED / Q 150 EP	<b>5,39</b>	50

**Schlüter®-QUADEC-EV V4A**

 angolo esterno / interno 90°  
 acciaio inossidabile V4A

H (mm)	Cod. Art.	CHF / pz	crt. (pz.)
6	EV / Q 60 E/V4A	<b>30,37</b>	50
8	EV / Q 80 E/V4A	<b>31,15</b>	50
10	EV / Q 100 E/V4A	<b>33,68</b>	50
12,5	EV / Q 125 E/V4A	<b>34,42</b>	50

**Schlüter®-RONDEC-E/V**

connettore per profili in acciaio inossidabile

H (mm)	Cod. Art.	CHF / pz	crt. (pz.)
6	V / RO 60 E	<b>2,70</b>	50
8	V / RO 80 E	<b>2,70</b>	50
10	V / RO 100 E	<b>2,70</b>	50
11	V / RO 110 E	<b>2,70</b>	50
12,5	V / RO 125 E	<b>2,70</b>	50



Utilizzabile con Schlüter®-RONDEC e -QUADEC.

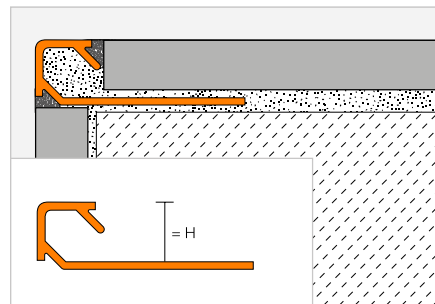


## Profilo di chiusura

### Schlüter®-QUADEC-TS



Schlüter-QUADEC-TS è un profilo decorativo di chiusura a forma quadrata realizzato in alluminio con una speciale finitura a rilievo. La superficie a vista del profilo è ad angolo retto e sostituisce l'angolo a spigolo vivo del rivestimento. Tramite il distanziatore si crea una fuga precisa tra il profilo e la piastrella. (Scheda tecnica 2.10)



#### Schlüter®-QUADEC-MBW



alluminio colorato, bianco matt finitura a rilievo

H (mm)	L = 2,50 m Cod. Art.	CHF / m	cassa (pz.)
4,5	Q 45 MBW	8,77	120
6	Q 60 MBW	9,33	120
8	Q 80 MBW	10,43	120
10	Q 100 MBW	11,42	120
11	Q 110 MBW	12,78	120
12,5	Q 125 MBW	14,29	120

#### Schlüter®-QUADEC-MGS



alluminio colorato, nero matt finitura a rilievo

H (mm)	L = 2,50 m Cod. Art.	CHF / m	cassa (pz.)
4,5	Q 45 MGS	8,77	120
6	Q 60 MGS	9,33	120
8	Q 80 MGS	10,43	120
10	Q 100 MGS	11,42	120
11	Q 110 MGS	12,78	120
12,5	Q 125 MGS	14,29	120

#### Schlüter®-QUADEC-TSB



alluminio con finitura a rilievo, beige

H (mm)	L = 2,50 m Cod. Art.	CHF / m	cassa (pz.)
4,5	Q 45 TSB	17,06	120
6	Q 60 TSB	17,80	120
8	Q 80 TSB	19,28	120
10	Q 100 TSB	20,76	120
11	Q 110 TSB	21,49	120
12,5	Q 125 TSB	22,60	120

#### Schlüter®-QUADEC-TSBG



alluminio con finitura a rilievo, greige

H (mm)	L = 2,50 m Cod. Art.	CHF / m	cassa (pz.)
4,5	Q 45 TSBG	17,06	120
6	Q 60 TSBG	17,80	120
8	Q 80 TSBG	19,28	120
10	Q 100 TSBG	20,76	120
11	Q 110 TSBG	21,49	120
12,5	Q 125 TSBG	22,60	120

#### Schlüter®-QUADEC-TSC



alluminio con finitura a rilievo, sabbia

H (mm)	L = 2,50 m Cod. Art.	CHF / m	cassa (pz.)
4,5	Q 45 TSC	17,06	120
6	Q 60 TSC	17,80	120
8	Q 80 TSC	19,28	120
10	Q 100 TSC	20,76	120
11	Q 110 TSC	21,49	120
12,5	Q 125 TSC	22,60	120

#### Schlüter®-QUADEC-TSDA



alluminio con finitura a rilievo, antracite

H (mm)	L = 2,50 m Cod. Art.	CHF / m	cassa (pz.)
4,5	Q 45 TSDA	17,06	120
6	Q 60 TSDA	17,80	120
8	Q 80 TSDA	19,28	120
10	Q 100 TSDA	20,76	120
11	Q 110 TSDA	21,49	120
12,5	Q 125 TSDA	22,60	120

#### Schlüter®-QUADEC-TSG



alluminio con finitura a rilievo, grigio

H (mm)	L = 2,50 m Cod. Art.	CHF / m	cassa (pz.)
4,5	Q 45 TSG	17,06	120
6	Q 60 TSG	17,80	120
8	Q 80 TSG	19,28	120
10	Q 100 TSG	20,76	120
11	Q 110 TSG	21,49	120
12,5	Q 125 TSG	22,60	120

#### Schlüter®-QUADEC-TSI



alluminio con finitura a rilievo, avorio

H (mm)	L = 2,50 m Cod. Art.	CHF / m	cassa (pz.)
4,5	Q 45 TSI	17,06	120
6	Q 60 TSI	17,80	120
8	Q 80 TSI	19,28	120
10	Q 100 TSI	20,76	120
11	Q 110 TSI	21,49	120
12,5	Q 125 TSI	22,60	120

#### Schlüter®-QUADEC-TSLA



alluminio con finitura a rilievo, canna di fucile

H (mm)	L = 2,50 m Cod. Art.	CHF / m	cassa (pz.)
4,5	Q 45 TSLA	17,06	120
6	Q 60 TSLA	17,80	120
8	Q 80 TSLA	19,28	120
10	Q 100 TSLA	20,76	120
11	Q 110 TSLA	21,49	120
12,5	Q 125 TSLA	22,60	120

#### Schlüter®-QUADEC-TSOB



alluminio con finitura a rilievo, bronzo

H (mm)	L = 2,50 m Cod. Art.	CHF / m	cassa (pz.)
4,5	Q 45 TSOB	17,06	120
6	Q 60 TSOB	17,80	120
8	Q 80 TSOB	19,28	120
10	Q 100 TSOB	20,76	120
11	Q 110 TSOB	21,49	120
12,5	Q 125 TSOB	22,60	120

#### Schlüter®-QUADEC-TSR



alluminio con finitura a rilievo, ruggine

H (mm)	L = 2,50 m Cod. Art.	CHF / m	cassa (pz.)
4,5	Q 45 TSR	17,06	120
6	Q 60 TSR	17,80	120
8	Q 80 TSR	19,28	120
10	Q 100 TSR	20,76	120
11	Q 110 TSR	21,49	120
12,5	Q 125 TSR	22,60	120

#### Schlüter®-QUADEC-TSSG



alluminio con finitura a rilievo, grigio sasso

H (mm)	L = 2,50 m Cod. Art.	CHF / m	cassa (pz.)
4,5	Q 45 TSSG	17,06	120
6	Q 60 TSSG	17,80	120
8	Q 80 TSSG	19,28	120
10	Q 100 TSSG	20,76	120
11	Q 110 TSSG	21,49	120
12,5	Q 125 TSSG	22,60	120

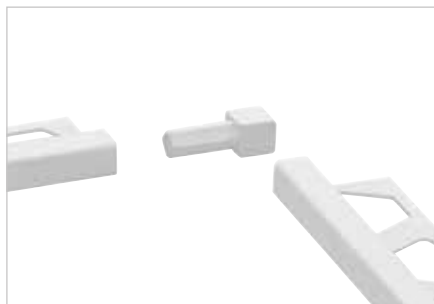
Per profili lunghi 3 m completare il Cod. Art. con "/300" (ad es. Q 60 TSI/300).

## Angolo | Innesto


**Schlüter®-QUADEC-AC/ED**

angolo esterno 90°  
per QUADEC-MBW/-MGS metallico decorato

H (mm)	Cod. Art.	CHF / pz	crt. (pz.)
4,5	ED / Q 45 ...*	<b>5,25</b>	50
6	ED / Q 60 ...*	<b>5,25</b>	50
8	ED / Q 80 ...*	<b>5,25</b>	50
10	ED / Q 100 ...*	<b>5,25</b>	50
11	ED / Q 110 ...*	<b>5,25</b>	50
12,5	ED / Q 125 ...*	<b>5,25</b>	50


**Schlüter®-QUADEC-AC/EV**

angoli esterni/interni 90°  
per QUADEC-MBW/-MGS alluminio

H (mm)	Cod. Art.	CHF / pz	crt. (pz.)
4,5	EV / Q 45 ...*	<b>14,08</b>	50
6	EV / Q 60 ...*	<b>14,08</b>	50
8	EV / Q 80 ...*	<b>14,08</b>	50
10	EV / Q 100 ...*	<b>14,08</b>	50
11	EV / Q 110 ...*	<b>14,08</b>	50
12,5	EV / Q 125 ...*	<b>14,08</b>	50


**Schlüter®-QUADEC-TS/EV**

angolo esterno / interno 90°  
alluminio con finitura a rilievo

H (mm)	Cod. Art.	CHF / pz	crt. (pz.)
4,5	EV / Q 45 ...**	<b>14,08</b>	50
6	EV / Q 60 ...**	<b>14,08</b>	50
8	EV / Q 80 ...**	<b>14,08</b>	50
10	EV / Q 100 ...**	<b>14,08</b>	50
11	EV / Q 110 ...**	<b>14,08</b>	50
12,5	EV / Q 125 ...**	<b>14,08</b>	50



Completare il Cod. Art. con finitura/colore (ad es. ED / Q 45 MGS)

\* Finiture/colori: MBW - MGS

\*\* Finiture/colori: TSB - TSBG - TSC - TSDA - TSG - TSI - TSLA - TSOB - TSR - TSSG

**Schlüter®-RONDEC-A/V**

connettore per profili in alluminio

H (mm)	Cod. Art.	CHF / pz	crt. (pz.)
6	V / RO 60	<b>1,42</b>	50
8	V / RO 80	<b>1,42</b>	50
10	V / RO 100	<b>1,42</b>	50
11	V / RO 110	<b>1,42</b>	50
12,5	V / RO 125	<b>1,42</b>	50

**Schlüter®-QUADEC-A/V**

connettore per profili in alluminio

H (mm)	Cod. Art.	CHF / pz	crt. (pz.)
6	V / Q 60	<b>1,42</b>	50



Schlüter®-RONDEC-A/V: utilizzabile con Schlüter®-RONDEC e -QUADEC (da 8 a 12,5 mm). Per i profili -RONDEC e -QUADEC nell'altezza 6 mm sono disponibili connettori specifici.

## Finiture | Colori disponibili



A pagina 340 e segg. è disponibile una panoramica delle finiture e dei colori.



# Schlüter®-QUADEC-A

Vasta scelta tra superfici e finiture anodizzate

- ✓ Profili in alluminio anodizzato
- ✓ Cinque diverse colorazioni
- ✓ Quattro differenti tipologie di superfici:
  - Opaco
  - Lucido
  - Spazzolato
  - Spazzolato effetto textile

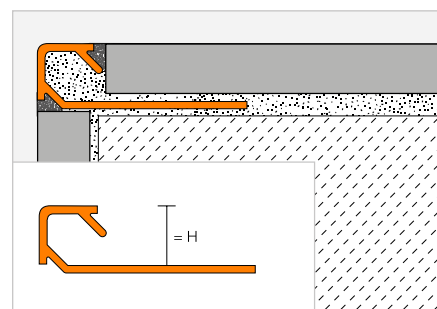


## Profilo di chiusura

### Schlüter®-QUADEC-A



Schlüter-QUADEC-A è un profilo di chiusura in alluminio anodizzato con funzione di parapigolo, adatto per proteggere gli angoli ed i rivestimenti in ceramica. La superficie a vista del profilo è ad angolo retto e sostituisce l'angolo a spigolo vivo del rivestimento. Tramite il distanziatore si crea una fuga precisa tra il profilo e la piastrella.  
(Scheda tecnica 2.10)



#### Schlüter®-QUADEC-AE



alluminio anodizzato

H (mm)	L = 2,50 m Cod. Art.	CHF / m	cassa (pz.)
4,5	Q 45 AE	<b>7,50</b>	120
6	Q 60 AE	<b>7,83</b>	120
8	Q 80 AE	<b>8,46</b>	120
10	Q 100 AE	<b>9,24</b>	120
11	Q 110 AE	<b>9,57</b>	120
12,5	Q 125 AE	<b>9,88</b>	120

#### Schlüter®-QUADEC-ACG



alluminio anodizzato effetto cromato lucido

H (mm)	L = 2,50 m Cod. Art.	CHF / m	cassa (pz.)
4,5	Q 45 ACG	<b>16,93</b>	120
6	Q 60 ACG	<b>17,78</b>	120
8	Q 80 ACG	<b>18,68</b>	120
10	Q 100 ACG	<b>19,83</b>	120
11	Q 110 ACG	<b>20,76</b>	120
12,5	Q 125 ACG	<b>22,07</b>	120

#### Schlüter®-QUADEC-ACGB



alluminio anodizzato effetto cromato spazzolato

H (mm)	L = 2,50 m Cod. Art.	CHF / m	cassa (pz.)
4,5	Q 45 ACGB	<b>17,26</b>	120
6	Q 60 ACGB	<b>18,04</b>	120
8	Q 80 ACGB	<b>20,20</b>	120
10	Q 100 ACGB	<b>21,31</b>	120
11	Q 110 ACGB	<b>21,80</b>	120
12,5	Q 125 ACGB	<b>22,32</b>	120

**Schlüter®-QUADEC-AT**


alluminio anodizzato effetto titanio

H (mm)	L = 2,50 m Cod. Art.	CHF / m	cassa (pz.)
4,5	Q 45 AT	<b>7,89</b>	120
6	Q 60 AT	<b>8,26</b>	120
8	Q 80 AT	<b>9,01</b>	120
10	Q 100 AT	<b>9,77</b>	120
11	Q 110 AT	<b>10,21</b>	120
12,5	Q 125 AT	<b>10,80</b>	120

**Schlüter®-QUADEC-ATG**


alluminio anodizzato effetto titanio lucido

H (mm)	L = 2,50 m Cod. Art.	CHF / m	cassa (pz.)
4,5	Q 45 ATG	<b>16,93</b>	120
6	Q 60 ATG	<b>17,78</b>	120
8	Q 80 ATG	<b>18,68</b>	120
10	Q 100 ATG	<b>19,83</b>	120
11	Q 110 ATG	<b>20,76</b>	120
12,5	Q 125 ATG	<b>22,07</b>	120

**Schlüter®-QUADEC-ATGB**


alluminio anodizzato effetto titanio spazzolato

H (mm)	L = 2,50 m Cod. Art.	CHF / m	cassa (pz.)
4,5	Q 45 ATGB	<b>17,26</b>	120
6	Q 60 ATGB	<b>18,04</b>	120
8	Q 80 ATGB	<b>20,20</b>	120
10	Q 100 ATGB	<b>21,31</b>	120
11	Q 110 ATGB	<b>21,80</b>	120
12,5	Q 125 ATGB	<b>22,32</b>	120

**Schlüter®-QUADEC-AEX**


alluminio anodizzato effetto textile

H (mm)	L = 2,50 m Cod. Art.	CHF / m	cassa (pz.)
6	Q 60 AEX	<b>18,04</b>	120
8	Q 80 AEX	<b>20,20</b>	120
10	Q 100 AEX	<b>21,31</b>	120
11	Q 110 AEX	<b>21,90</b>	120
12,5	Q 125 AEX	<b>22,32</b>	120

**Schlüter®-QUADEC-AMX**


alluminio anodizzato effetto ottone textile

H (mm)	L = 2,50 m Cod. Art.	CHF / m	cassa (pz.)
6	Q 60 AMX	<b>18,04</b>	120
8	Q 80 AMX	<b>20,20</b>	120
10	Q 100 AMX	<b>21,31</b>	120
11	Q 110 AMX	<b>21,90</b>	120
12,5	Q 125 AMX	<b>22,32</b>	120

**Schlüter®-QUADEC-ATX**


alluminio anodizzato effetto titanio textile

H (mm)	L = 2,50 m Cod. Art.	CHF / m	cassa (pz.)
6	Q 60 ATX	<b>18,04</b>	120
8	Q 80 ATX	<b>20,20</b>	120
10	Q 100 ATX	<b>21,31</b>	120
11	Q 110 ATX	<b>21,90</b>	120
12,5	Q 125 ATX	<b>22,32</b>	120

**Schlüter®-QUADEC-AQGX**


alluminio anodizzato effetto grigio quarzo textile

H (mm)	L = 2,50 m Cod. Art.	CHF / m	cassa (pz.)
6	Q 60 AQGX	<b>18,04</b>	120
8	Q 80 AQGX	<b>20,20</b>	120
10	Q 100 AQGX	<b>21,31</b>	120
11	Q 110 AQGX	<b>21,90</b>	120
12,5	Q 125 AQGX	<b>22,32</b>	120

Per profili lunghi 3 m completare il Cod. Art. con "/300" (ad es. Q 60 AE/300).

**Angolo | Innesto**
**Schlüter®-QUADEC-A/EV**

angolo esterno / interno 90° alluminio

H (mm)	Cod. Art.	CHF / pz	crt. (pz.)
4,5	EV / Q 45 ...*	<b>9,57</b>	50
6	EV / Q 60 ...**	<b>9,77</b>	50
8	EV / Q 80 ...**	<b>10,19</b>	50
10	EV / Q 100 ...**	<b>10,62</b>	50
11	EV / Q 110 ...**	<b>10,85</b>	50
12,5	EV / Q 125 ...**	<b>11,02</b>	50

**Schlüter®-QUADEC-A/ED**

angolo esterno 90° imitazione alluminio

H (mm)	Cod. Art.	CHF / pz	crt. (pz.)
4,5	ED / Q 45 ...*	<b>5,25</b>	50
6	ED / Q 60 ...*	<b>5,25</b>	50
8	ED / Q 80 ...*	<b>5,25</b>	50
10	ED / Q 100 ...*	<b>5,25</b>	50
11	ED / Q 110 ...*	<b>5,25</b>	50
12,5	ED / Q 125 ...*	<b>5,25</b>	50

**Schlüter®-RONDEC-A/V**

connettore per profili in alluminio

H (mm)	Cod. Art.	CHF / pz	crt. (pz.)
—	—	—	—
6	V / RO 60	<b>1,42</b>	50
8	V / RO 80	<b>1,42</b>	50
10	V / RO 100	<b>1,42</b>	50
11	V / RO 110	<b>1,42</b>	50
12,5	V / RO 125	<b>1,42</b>	50

**Schlüter®-QUADEC-A/V**

connettore per profili in alluminio

H (mm)	Cod. Art.	CHF / pz	crt. (pz.)
6	V / Q 60	<b>1,42</b>	50



Schlüter-RODEC-A/V: utilizzabile con Schlüter-RODEC e -QUADEC (da 8 a 12,5 mm). Per i profili -RODEC e -QUADEC nell'altezza 6 mm sono disponibili connettori specifici.

**Completare il Cod. Art. con il tipo di finitura (ad es. ED / Q 45 ACGB)**

\* Finiture: ACG - ACGB - AE - AT - ATG - ATGB

\*\* Finiture: ACG - ACGB - AE - AEX - AMX - AQGX - AT - ATG - ATGB - ATX

A pagina 340 e segg. è disponibile una panoramica delle finiture e dei colori.



# Profili Schlüter

In linea con le tendenze: il nero in bagno

Il nero è di moda e questo trend non è destinato a finire. Profili, ripiani e soluzioni di deflusso in nero matt con finitura a rilievo (MGS) sono la scelta perfetta. Tono su tono o creando un vostro personale contrasto, date libero sfogo alla vostra creatività.

- ✓ Il tuo colore, la tua personalità
- ✓ L'abbinamento perfetto con le attuali tendenze della ceramica
- ✓ Ampia scelta di colori per la tua doccia



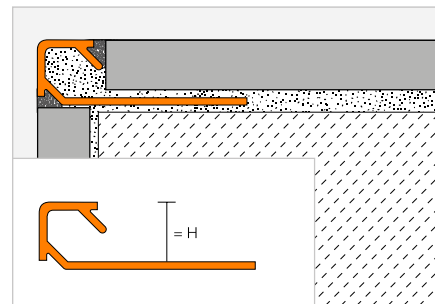


## Profilo di chiusura

**Schlüter®-QUADEC-AC**


Schlüter-QUADEC-AC è un profilo di chiusura in alluminio colorato con funzione di paraspiangolo, adatto per proteggere gli angoli ed i rivestimenti in ceramica. La superficie a vista del profilo è ad angolo retto e sostituisce l'angolo a spigolo vivo del rivestimento. Tramite il distanziatore si crea una fuga precisa tra il profilo e la piastrella.

(Scheda tecnica 2.10)


**Schlüter®-QUADEC-AC**

alluminio colorato

H (mm)	L = 2,50 m Cod. Art.	CHF / m	cassa (pz.)
4,5	Q 45 ...*	<b>8,77</b>	120
6	Q 60 ...**	<b>9,33</b>	120
8	Q 80 ...**	<b>10,43</b>	120
10	Q 100 ...**	<b>11,42</b>	120
11	Q 110 ...**	<b>12,78</b>	120
12,5	Q 125 ...**	<b>14,29</b>	120



Per profili lunghi 3 m completare il Cod. Art. con "/300" (ad es. Q 60 BW/300).

## Angolo | Innesto

**Schlüter®-QUADEC-AC/ED**

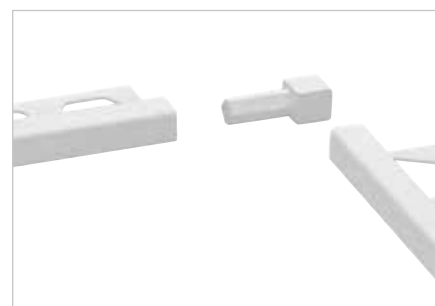
 angolo esterno 90°  
 metallico decorato

H (mm)	Cod. Art.	CHF / pz	crt. (pz.)
4,5	ED / Q 45 ...*	<b>5,25</b>	50
6	ED / Q 60 ...**	<b>5,25</b>	50
8	ED / Q 80 ...**	<b>5,25</b>	50
10	ED / Q 100 ...**	<b>5,25</b>	50
11	ED / Q 110 ...**	<b>5,25</b>	50
12,5	ED / Q 125 ...**	<b>5,25</b>	50

**Schlüter®-QUADEC-AC/EV**

 angoli esterni/interni 90°  
 per QUADEC-MBW/-MGS alluminio

H (mm)	Cod. Art.	CHF / pz	crt. (pz.)
4,5	EV / Q 45 ...***	<b>14,08</b>	50
6	EV / Q 60 ...***	<b>14,08</b>	50
8	EV / Q 80 ...***	<b>14,08</b>	50
10	EV / Q 100 ...***	<b>14,08</b>	50
11	EV / Q 110 ...***	<b>14,08</b>	50
12,5	EV / Q 125 ...***	<b>14,08</b>	50


**Schlüter®-RONDEC-A/V**

connettore per profili in alluminio

H (mm)	Cod. Art.	CHF / pz	crt. (pz.)
6	V / RO 60	<b>1,42</b>	50
8	V / RO 80	<b>1,42</b>	50
10	V / RO 100	<b>1,42</b>	50
11	V / RO 110	<b>1,42</b>	50
12,5	V / RO 125	<b>1,42</b>	50

**Schlüter®-QUADEC-A/V**

connettore per profili in alluminio

H (mm)	Cod. Art.	CHF / pz	crt. (pz.)
6	V / Q 60	<b>1,42</b>	50



Schlüter-RONDEC-A/V: utilizzabile con Schlüter-RONDEC e -QUADEC (da 8 a 12,5 mm). Per i profili -RONDEC e -QUADEC nell'altezza 6 mm sono disponibili connettori specifici.

**Completare il Cod. Art. con il colore (ad es. EV / Q 45 MBW)**


\* Colori disponibili: BW - G - MBW - MGS - PG - PW - QG - VG - W

\*\* Colori disponibili: BW - GS - MBW - MGS - PG - QG - VG - W

\*\*\* Colori disponibili: MBW - MGS

Colori disponibili L = 3,00 m: BW - GS - MBW - MGS - PG - QG - VG - W

A pagina 340 e segg. è disponibile una panoramica delle finiture e dei colori.



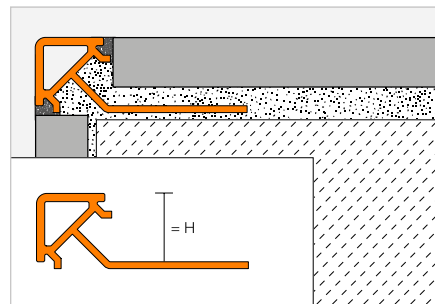


## Profilo di chiusura

### Schlüter®-QUADEC-PQ



Schlüter-QUADEC-PQ è un profilo decorativo di chiusura, in PVC colorato, indicato per proteggere e decorare angoli e spigoli di rivestimenti in ceramica. La parte a vista del profilo forma un angolo esterno ad angolo retto. Tramite il distanziatore si crea una fuga precisa tra il profilo e la piastrella. (Scheda tecnica 2.10)



### Schlüter®-QUADEC-PQ

PVC colorato

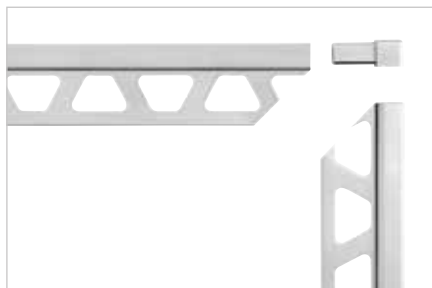
H (mm)	L = 2,50 m Cod. Art.	CHF / m	cassa (pz.)
6	PQ 60 ...*	<b>3,44</b>	240
8	PQ 80 ...*	<b>3,62</b>	240
10	PQ 100 ...*	<b>3,88</b>	240
11	PQ 110 ...*	<b>4,05</b>	240
12,5	PQ 125 ...*	<b>4,14</b>	240

## Angolo

### Schlüter®-QUADEC-PQ/E

angolo esterno 90°

H (mm)	Cod. Art.	CHF / pz	crt. (pz.)
6	E / PQ 60 ...*	<b>2,18</b>	50
8	E / PQ 80 ...*	<b>2,18</b>	50
10	E / PQ 100 ...*	<b>2,18</b>	50
11	E / PQ 110 ...*	<b>2,18</b>	50
12,5	E / PQ 125 ...*	<b>2,18</b>	50



Completare il Cod. Art. con il colore (ad es. E / PQ 60 PG)



\* Colori disponibili: BH - BW - GS - PG - SP - W

A pagina 340 e segg. è disponibile una panoramica delle finiture e dei colori.

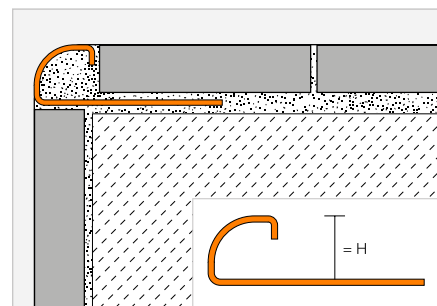


## Profilo di chiusura

**Schlüter®-RONDEC-MC**


Schlüter-RODEC-MC è un profilo decorativo di chiusura a forma arrotondata, in ottone cromato, adatto per gli angoli esterni o per i bordi dei rivestimenti in ceramica.

(Scheda tecnica 2.1)


**Schlüter®-RONDEC-MC**

ottone cromato

H (mm)	L = 2,50 m Cod. Art.	CHF / m	cassa (pz.)
6	RO 60 MC	<b>38,00</b>	120
8	RO 80 MC	<b>40,19</b>	120
10	RO 100 MC	<b>41,87</b>	120
11	RO 110 MC	<b>42,78</b>	120
12,5	RO 125 MC	<b>44,18</b>	120

## Angolo

**Schlüter®-RONDEC-MC/EV**

angolo esterno 90°  
ottone cromato

H (mm)	Cod. Art.	CHF / pz	crt. (pz.)
6	EV / RO 60 MC	<b>19,50</b>	50
8	EV / RO 80 MC	<b>20,37</b>	50
10	EV / RO 100 MC	<b>21,22</b>	50
11	EV / RO 110 MC	<b>21,48</b>	50
12,5	EV / RO 125 MC	<b>22,07</b>	50

**Schlüter®-RONDEC-MC/ED**

angolo esterno 90°  
metallico decorato

H (mm)	Cod. Art.	CHF / pz	crt. (pz.)
6	ED / RO 60 MC	<b>4,21</b>	50
8	ED / RO 80 MC	<b>4,21</b>	50
10	ED / RO 100 MC	<b>4,21</b>	50
11	ED / RO 110 MC	<b>4,21</b>	50
12,5	ED / RO 125 MC	<b>4,21</b>	50


**Schlüter®-RONDEC-MC/IV**

angolo interno 90°  
ottone cromato

H (mm)	Cod. Art.	CHF / pz	crt. (pz.)
6	IV / RO 60 MC	<b>19,50</b>	50
8	IV / RO 80 MC	<b>20,37</b>	50
10	IV / RO 100 MC	<b>21,22</b>	50
11	IV / RO 110 MC	<b>21,48</b>	50
12,5	IV / RO 125 MC	<b>22,07</b>	50

**Schlüter®-RONDEC-MC/ID**

angolo interno 90°  
metallico decorato

H (mm)	Cod. Art.	CHF / pz	crt. (pz.)
6	ID / RO 60 MC	<b>4,21</b>	50
8	ID / RO 80 MC	<b>4,21</b>	50
10	ID / RO 100 MC	<b>4,21</b>	50
11	ID / RO 110 MC	<b>4,21</b>	50
12,5	ID / RO 125 MC	<b>4,21</b>	50



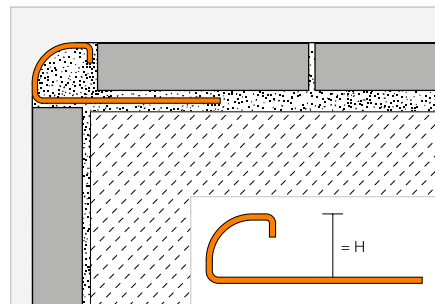


## Profilo di chiusura

### Schlüter®-RONDEC-E



Schlüter-RONDEC-E è un profilo decorativo di chiusura in acciaio a forma arrotondata, adatto per gli angoli esterni ed i rivestimenti in ceramica, disponibile con diverse finiture. (Scheda tecnica 2.1)



#### Schlüter®-RONDEC-E



acciaio inossidabile V2A

H (mm)	L = 2,50 m Cod. Art.	CHF / m	cassa (pz.)
4,5	RO 45 E	16,04	120
6	RO 60 E	16,39	120
7	RO 70 E	17,19	120
8	RO 80 E	17,69	120
9	RO 90 E	18,42	120
10	RO 100 E	18,92	120
11	RO 110 E	19,66	120
12,5	RO 125 E	20,08	120
15	RO 150 E	22,09	120
<b>L = 1,00 m</b>			
6	RO 60 E/100	17,09	120
8	RO 80 E/100	18,35	120
10	RO 100 E/100	19,64	120
12,5	RO 125 E/100	20,80	120

#### Schlüter®-RONDEC-EB



acciaio inossidabile V2A spazzolato

H (mm)	L = 2,50 m Cod. Art.	CHF / m	cassa (pz.)
—	—	—	—
6	RO 60 EB	21,54	120
7	RO 70 EB	22,45	120
8	RO 80 EB	23,20	120
9	RO 90 EB	24,04	120
10	RO 100 EB	24,84	120
11	RO 110 EB	25,56	120
12,5	RO 125 EB	26,38	120
15	RO 150 EB	29,03	120

#### Schlüter®-RONDEC-EP



acciaio inossidabile V2A lucido

H (mm)	L = 2,50 m Cod. Art.	CHF / m	cassa (pz.)
—	—	—	—
6	RO 60 EP	31,56	120
—	—	—	—
8	RO 80 EP	32,78	120
—	—	—	—
10	RO 100 EP	34,09	120
—	—	—	—
12,5	RO 125 EP	35,39	120
15	RO 150 EP	37,04	120

#### Nota:

Per ragioni tecniche non è possibile avere profili da 1 m con la speciale traforatura per rendere curvabile il profilo.

Per profili lunghi 3 m completare il Cod. Art. con "/300" (ad es. RO 60 E/300).

#### Schlüter®-RONDEC-E V4A



acciaio inossidabile V4A

H (mm)	L = 2,50 m Cod. Art.	CHF / m	cassa (pz.)
6	RO 60 E/V4A	18,50	120
8	RO 80 E/V4A	19,92	120
10	RO 100 E/V4A	21,31	120
12,5	RO 125 E/V4A	22,73	120

## Angolo | Terminale | Innesto

#### Schlüter®-RONDEC-E/EV

angolo esterno 90°  
acciaio inossidabile V2A

H (mm)	Cod. Art.	CHF / pz	crt. (pz.)
4,5	EV / RO 45 E	27,33	50
6	EV / RO 60 E	27,33	50
7	EV / RO 70 E	28,02	50
8	EV / RO 80 E	28,02	50
9	EV / RO 90 E	30,32	50
10	EV / RO 100 E	30,32	50
11	EV / RO 110 E	30,98	50
12,5	EV / RO 125 E	30,98	50
15	EV / RO 150 E	38,81	50

#### Schlüter®-RONDEC-E/ED

angolo esterno 90°  
metallico decorato

H (mm)	Cod. Art.	CHF / pz	crt. (pz.)
4,5	ED / RO 45 E	4,29	50
6	ED / RO 60 E	4,29	50
7	ED / RO 70 E	4,29	50
8	ED / RO 80 E	4,29	50
9	ED / RO 90 E	4,29	50
10	ED / RO 100 E	4,29	50
11	ED / RO 110 E	4,29	50
12,5	ED / RO 125 E	4,29	50
15	ED / RO 150 E	4,29	50

#### Schlüter®-RONDEC-E/ID

angolo interno 90°  
metallico decorato

H (mm)	Cod. Art.	CHF / pz	crt. (pz.)
4,5	ID / RO 45 E	4,29	50
6	ID / RO 60 E	4,29	50
7	ID / RO 70 E	4,29	50
8	ID / RO 80 E	4,29	50
9	ID / RO 90 E	4,29	50
10	ID / RO 100 E	4,29	50
11	ID / RO 110 E	4,29	50
12,5	ID / RO 125 E	4,29	50
15	ID / RO 150 E	4,29	50

**Schlüter®-RONDEC-EB/EV**

 angolo esterno 90°  
 acciaio inossidabile V2A spazzolato

H (mm)	Cod. Art.	CHF / pz	crt. (pz.)
6	EV / RO 60 EB	<b>31,73</b>	50
7	EV / RO 70 EB	<b>32,26</b>	50
8	EV / RO 80 EB	<b>32,56</b>	50
9	EV / RO 90 EB	<b>34,57</b>	50
10	EV / RO 100 EB	<b>35,16</b>	50
11	EV / RO 110 EB	<b>35,38</b>	50
12,5	EV / RO 125 EB	<b>35,95</b>	50
15	EV / RO 150 EB	<b>45,12</b>	50

**Schlüter®-RONDEC-EB/ED**

 angolo esterno 90°  
 metallico decorato spazzolato

H (mm)	Cod. Art.	CHF / pz	crt. (pz.)
6	ED / RO 60 EB	<b>6,79</b>	50
7	ED / RO 70 EB	<b>6,79</b>	50
8	ED / RO 80 EB	<b>6,79</b>	50
9	ED / RO 90 EB	<b>6,79</b>	50
10	ED / RO 100 EB	<b>6,79</b>	50
11	ED / RO 110 EB	<b>6,79</b>	50
12,5	ED / RO 125 EB	<b>6,79</b>	50
15	ED / RO 150 EB	<b>6,79</b>	50

**Schlüter®-RONDEC-EB/ID**

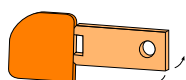
 angolo interno 90°  
 metallico decorato spazzolato

H (mm)	Cod. Art.	CHF / pz	crt. (pz.)
6	ID / RO 60 EB	<b>6,79</b>	50
7	ID / RO 70 EB	<b>6,79</b>	50
8	ID / RO 80 EB	<b>6,79</b>	50
9	ID / RO 90 EB	<b>6,79</b>	50
10	ID / RO 100 EB	<b>6,79</b>	50
11	ID / RO 110 EB	<b>6,79</b>	50
12,5	ID / RO 125 EB	<b>6,79</b>	50
15	ID / RO 150 EB	<b>6,79</b>	50

**Schlüter®-RONDEC-EB/EK\***

terminale acciaio inossidabile V2A spazzolato

H (mm)	Cod. Art.	CHF / pz	crt. (pz.)
4,5	EK / RO 45 EB	<b>2,74</b>	50
6	EK / RO 60 EB	<b>2,74</b>	50
7	EK / RO 70 EB	<b>2,74</b>	50
8	EK / RO 80 EB	<b>2,74</b>	50
9	EK / RO 90 EB	<b>2,74</b>	50
10	EK / RO 100 EB	<b>2,74</b>	50
11	EK / RO 110 EB	<b>2,74</b>	50
12,5	EK / RO 125 EB	<b>2,74</b>	50
15	EK / RO 150 EB	<b>2,74</b>	50



Schlüter-RONDEC-EB/EK

\* utilizzabile con Schlüter-RONDEC-E e -EB.

**Schlüter®-RONDEC-EP/EV**

 angolo esterno 90°  
 acciaio inossidabile V2A lucido

H (mm)	Cod. Art.	CHF / pz	crt. (pz.)
6	EV / RO 60 EP	<b>32,13</b>	50
8	EV / RO 80 EP	<b>32,95</b>	50
10	EV / RO 100 EP	<b>35,60</b>	50
12,5	EV / RO 125 EP	<b>36,40</b>	50
15	EV / RO 150 EP	<b>45,68</b>	50

**Schlüter®-RONDEC-EP/ED**

 angolo esterno 90°  
 metallico decorato lucido

H (mm)	Cod. Art.	CHF / pz	crt. (pz.)
6	ED / RO 60 EP	<b>4,34</b>	50
8	ED / RO 80 EP	<b>4,34</b>	50
10	ED / RO 100 EP	<b>4,34</b>	50
12,5	ED / RO 125 EP	<b>4,34</b>	50
15	ED / RO 150 EP	<b>4,34</b>	50

**Schlüter®-RONDEC-EP/ID**

 angolo interno 90°  
 metallico decorato lucido

H (mm)	Cod. Art.	CHF / pz	crt. (pz.)
6	ID / RO 60 EP	<b>4,34</b>	50
8	ID / RO 80 EP	<b>4,34</b>	50
10	ID / RO 100 EP	<b>4,34</b>	50
12,5	ID / RO 125 EP	<b>4,34</b>	50
15	ID / RO 150 EP	<b>4,34</b>	50

**Schlüter®-RONDEC-E V4A/EV**

 angolo esterno 90°  
 acciaio inossidabile V4A

H (mm)	Cod. Art.	CHF / pz	crt. (pz.)
6	EV / RO 60 E/V4A	<b>30,37</b>	50
8	EV / RO 80 E/V4A	<b>31,13</b>	50
10	EV / RO 100 E/V4A	<b>33,65</b>	50
12,5	EV / RO 125 E/V4A	<b>34,40</b>	50


**Schlüter®-RONDEC-E/V**

connettore per profili in acciaio inossidabile

H (mm)	Cod. Art.	CHF / pz	crt. (pz.)
6	V / RO 60 E	<b>2,70</b>	50
8	V / RO 80 E	<b>2,70</b>	50
10	V / RO 100 E	<b>2,70</b>	50
11	V / RO 110 E	<b>2,70</b>	50
12,5	V / RO 125 E	<b>2,70</b>	50



Utilizzabile con Schlüter-RONDEC e -QUADEC.

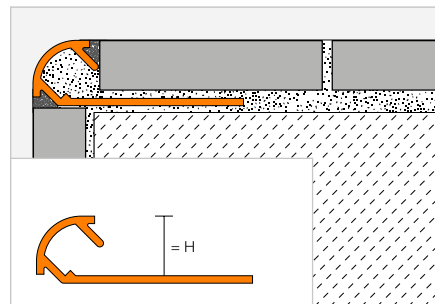


## Profilo di chiusura

### Schlüter®-RONDEC-TS



Schlüter-**RONDEC-TS** è un profilo decorativo di chiusura a forma arrotondata realizzato in alluminio con una speciale finitura a rilievo. Tramite il distanziatore si crea una fuga precisa tra il profilo e la piastrella. (Scheda tecnica 2.1)



#### Schlüter®-RONDEC-MBW

alluminio colorato, bianco matt finitura a rilievo

H (mm)	L = 2,50 m Cod. Art.	CHF / m	cassa (pz.)
6	RO 60 MBW	8,94	120
8	RO 80 MBW	9,94	120
10	RO 100 MBW	10,92	120
11	RO 110 MBW	12,30	120
12,5	RO 125 MBW	13,62	120

#### Schlüter®-RONDEC-MGS

alluminio colorato, nero matt finitura a rilievo

H (mm)	L = 2,50 m Cod. Art.	CHF / m	cassa (pz.)
6	RO 60 MGS	8,94	120
8	RO 80 MGS	9,94	120
10	RO 100 MGS	10,92	120
11	RO 110 MGS	12,30	120
12,5	RO 125 MGS	13,62	120

#### Schlüter®-RONDEC-TSB

alluminio con finitura a rilievo, beige

H (mm)	L = 2,50 m Cod. Art.	CHF / m	cassa (pz.)
6	RO 60 TSB	17,06	120
8	RO 80 TSB	18,17	120
10	RO 100 TSB	19,28	120
11	RO 110 TSB	20,04	120
12,5	RO 125 TSB	21,14	120

#### Schlüter®-RONDEC-TSBG

alluminio con finitura a rilievo, greige

H (mm)	L = 2,50 m Cod. Art.	CHF / m	cassa (pz.)
6	RO 60 TSBG	17,06	120
8	RO 80 TSBG	18,17	120
10	RO 100 TSBG	19,28	120
11	RO 110 TSBG	20,04	120
12,5	RO 125 TSBG	21,14	120

#### Schlüter®-RONDEC-TSC

alluminio con finitura a rilievo, sabbia

H (mm)	L = 2,50 m Cod. Art.	CHF / m	cassa (pz.)
6	RO 60 TSC	17,06	120
8	RO 80 TSC	18,17	120
10	RO 100 TSC	19,28	120
11	RO 110 TSC	20,04	120
12,5	RO 125 TSC	21,14	120

#### Schlüter®-RONDEC-TSDA

alluminio con finitura a rilievo, antracite

H (mm)	L = 2,50 m Cod. Art.	CHF / m	cassa (pz.)
6	RO 60 TSDA	17,06	120
8	RO 80 TSDA	18,17	120
10	RO 100 TSDA	19,28	120
11	RO 110 TSDA	20,04	120
12,5	RO 125 TSDA	21,14	120

#### Schlüter®-RONDEC-TSG

alluminio con finitura a rilievo, grigio

H (mm)	L = 2,50 m Cod. Art.	CHF / m	cassa (pz.)
6	RO 60 TSG	17,06	120
8	RO 80 TSG	18,17	120
10	RO 100 TSG	19,28	120
11	RO 110 TSG	20,04	120
12,5	RO 125 TSG	21,14	120

#### Schlüter®-RONDEC-TSI

alluminio con finitura a rilievo, avorio

H (mm)	L = 2,50 m Cod. Art.	CHF / m	cassa (pz.)
6	RO 60 TSI	17,06	120
8	RO 80 TSI	18,17	120
10	RO 100 TSI	19,28	120
11	RO 110 TSI	20,04	120
12,5	RO 125 TSI	21,14	120

#### Schlüter®-RONDEC-TSLA

alluminio con finitura a rilievo, canna di fucile

H (mm)	L = 2,50 m Cod. Art.	CHF / m	cassa (pz.)
6	RO 60 TSLA	17,06	120
8	RO 80 TSLA	18,17	120
10	RO 100 TSLA	19,28	120
11	RO 110 TSLA	20,04	120
12,5	RO 125 TSLA	21,14	120

#### Schlüter®-RONDEC-TSOB

alluminio con finitura a rilievo, bronzo

H (mm)	L = 2,50 m Cod. Art.	CHF / m	cassa (pz.)
6	RO 60 TSOB	17,06	120
8	RO 80 TSOB	18,17	120
10	RO 100 TSOB	19,28	120
11	RO 110 TSOB	20,04	120
12,5	RO 125 TSOB	21,14	120

#### Schlüter®-RONDEC-TSR

alluminio con finitura a rilievo, ruggine

H (mm)	L = 2,50 m Cod. Art.	CHF / m	cassa (pz.)
6	RO 60 TSR	17,06	120
8	RO 80 TSR	18,17	120
10	RO 100 TSR	19,28	120
11	RO 110 TSR	20,04	120
12,5	RO 125 TSR	21,14	120

#### Schlüter®-RONDEC-TSSG

alluminio con finitura a rilievo, grigio sasso

H (mm)	L = 2,50 m Cod. Art.	CHF / m	cassa (pz.)
6	RO 60 TSSG	17,06	120
8	RO 80 TSSG	18,17	120
10	RO 100 TSSG	19,28	120
11	RO 110 TSSG	20,04	120
12,5	RO 125 TSSG	21,14	120

Per profili lunghi 3 m completare il Cod. Art. con "/300" (ad es. RO 60 TSI/300).

## Angolo

### Schlüter®-RONDEC-AC/ED

angolo esterno 90°  
per RONDEC-MBW/-MGS metallico decorato

H (mm)	Cod. Art.	CHF / pz	crt. (pz.)
6	ED / RO 60 ...**	<b>4,21</b>	50
8	ED / RO 80 ...**	<b>4,21</b>	50
10	ED / RO 100 ...**	<b>4,21</b>	50
11	ED / RO 110 ...**	<b>4,21</b>	50
12,5	ED / RO 125 ...**	<b>4,21</b>	50

### Schlüter®-RONDEC-AC/ID

angolo interno 90°  
per RONDEC-MBW/-MGS metallico decorato

H (mm)	Cod. Art.	CHF / pz	crt. (pz.)
6	ID / RO 60 ...**	<b>4,21</b>	50
8	ID / RO 80 ...**	<b>4,21</b>	50
10	ID / RO 100 ...**	<b>4,21</b>	50
11	ID / RO 110 ...**	<b>4,21</b>	50
12,5	ID / RO 125 ...**	<b>4,21</b>	50



### Schlüter®-RONDEC-TS/EV

angolo esterno 90°  
alluminio con finitura a rilievo

H (mm)	Cod. Art.	CHF / pz	crt. (pz.)
6	EV / RO 60 ...*	<b>14,08</b>	50
8	EV / RO 80 ...*	<b>14,08</b>	50
10	EV / RO 100 ...*	<b>14,08</b>	50
11	EV / RO 110 ...*	<b>14,08</b>	50
12,5	EV / RO 125 ...*	<b>14,08</b>	50

### Schlüter®-RONDEC-TS/IV

angolo interno 90°  
alluminio con finitura a rilievo

H (mm)	Cod. Art.	CHF / pz	crt. (pz.)
6	IV / RO 60 ...*	<b>14,08</b>	50
8	IV / RO 80 ...*	<b>14,08</b>	50
10	IV / RO 100 ...*	<b>14,08</b>	50
11	IV / RO 110 ...*	<b>14,08</b>	50
12,5	IV / RO 125 ...*	<b>14,08</b>	50

Completare il Cod. Art. con finitura/colore (ad es. ID / RO 60 MGS)

\* Finiture/colori: TSB - TSBG - TSC - TSDA - TSG - TSI - TSLA - TSOB - TSR - TSSG

\*\* Finiture/colori: MBW - MGS

## Finiture | Colori disponibili



A pagina 340 e segg. è disponibile una panoramica delle finiture e dei colori.

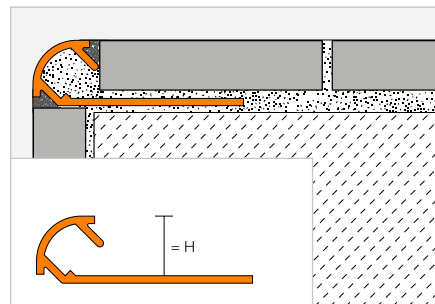


## Profilo di chiusura

### Schlüter®-RONDEC-A



Schlüter-ROnDEC-A è un profilo decorativo di chiusura in alluminio anodizzato a forma arrotondata, adatto per gli angoli dei rivestimenti in ceramica. Tramite il distanziatore si crea una fuga precisa tra il profilo e la piastrella. (Scheda tecnica 2.1)



#### Schlüter®-RONDEC-AE



alluminio anodizzato

H (mm)	L = 2,50 m Cod. Art.	CHF / m	cassa (pz.)
6	RO 60 AE	7,46	120
8	RO 80 AE	8,09	120
9	RO 90 AE	8,46	120
10	RO 100 AE	8,80	120
11	RO 110 AE	9,11	120
12,5	RO 125 AE	9,42	120
15	RO 150 AE	10,02	120

#### Schlüter®-RONDEC-ACG



alluminio anodizzato effetto cromato lucido

H (mm)	L = 2,50 m Cod. Art.	CHF / m	cassa (pz.)
6	RO 60 ACG	16,95	120
8	RO 80 ACG	17,80	120
9	RO 90 ACG	18,32	120
10	RO 100 ACG	18,85	120
11	RO 110 ACG	19,96	120
12,5	RO 125 ACG	21,01	120
15	RO 150 ACG	21,90	120

#### Schlüter®-RONDEC-ACGB



alluminio anodizzato effetto cromato spazzolato

H (mm)	L = 2,50 m Cod. Art.	CHF / m	cassa (pz.)
6	RO 60 ACGB	17,18	120
8	RO 80 ACGB	19,28	120
9	RO 90 ACGB	19,81	120
10	RO 100 ACGB	20,30	120
11	RO 110 ACGB	20,75	120
12,5	RO 125 ACGB	21,27	120
15	RO 150 ACGB	22,23	120

#### Schlüter®-RONDEC-AM



alluminio anodizzato effetto ottone

H (mm)	L = 2,50 m Cod. Art.	CHF / m	cassa (pz.)
6	RO 60 AM	7,85	120
8	RO 80 AM	8,56	120
10	RO 100 AM	9,27	120
12,5	RO 125 AM	10,27	120

#### Schlüter®-RONDEC-AMG



alluminio anodizzato effetto ottone lucido

H (mm)	L = 2,50 m Cod. Art.	CHF / m	cassa (pz.)
6	RO 60 AMG	16,95	120
8	RO 80 AMG	17,80	120
10	RO 100 AMG	18,85	120
12,5	RO 125 AMG	21,01	120

#### Schlüter®-RONDEC-AMGB



alluminio anodizzato effetto ottone spazzolato

H (mm)	L = 2,50 m Cod. Art.	CHF / m	cassa (pz.)
6	RO 60 AMGB	17,18	120
8	RO 80 AMGB	19,28	120
10	RO 100 AMGB	20,30	120
12,5	RO 125 AMGB	21,27	120

#### Schlüter®-RONDEC-AK



alluminio anodizzato effetto rame

H (mm)	L = 2,50 m Cod. Art.	CHF / m	cassa (pz.)
6	RO 60 AK	7,85	120
8	RO 80 AK	8,56	120
10	RO 100 AK	9,27	120
12,5	RO 125 AK	10,27	120

#### Schlüter®-RONDEC-AKG



alluminio anodizzato effetto rame lucido

H (mm)	L = 2,50 m Cod. Art.	CHF / m	cassa (pz.)
6	RO 60 AKG	16,95	120
8	RO 80 AKG	17,80	120
10	RO 100 AKG	18,85	120
12,5	RO 125 AKG	21,01	120

#### Schlüter®-RONDEC-AKGB



alluminio anodizzato effetto rame spazzolato

H (mm)	L = 2,50 m Cod. Art.	CHF / m	cassa (pz.)
6	RO 60 AKGB	17,18	120
8	RO 80 AKGB	19,28	120
10	RO 100 AKGB	20,30	120
12,5	RO 125 AKGB	21,27	120

#### Schlüter®-RONDEC-AT



alluminio anodizzato effetto titanio

H (mm)	L = 2,50 m Cod. Art.	CHF / m	cassa (pz.)
6	RO 60 AT	7,85	120
8	RO 80 AT	8,56	120
10	RO 100 AT	9,27	120
12,5	RO 125 AT	10,27	120

#### Schlüter®-RONDEC-ATG



alluminio anodizzato effetto titanio lucido

H (mm)	L = 2,50 m Cod. Art.	CHF / m	cassa (pz.)
6	RO 60 ATG	16,95	120
8	RO 80 ATG	17,80	120
10	RO 100 ATG	18,85	120
12,5	RO 125 ATG	21,01	120

#### Schlüter®-RONDEC-ATGB



alluminio anodizzato effetto titanio spazzolato

H (mm)	L = 2,50 m Cod. Art.	CHF / m	cassa (pz.)
6	RO 60 ATGB	17,18	120
8	RO 80 ATGB	19,28	120
10	RO 100 ATGB	20,30	120
12,5	RO 125 ATGB	21,27	120

#### Nota:

Il profilo Schlüter-ROnDEC-A altezza 15 mm non è disponibile nella versione curvabile. Per profili lunghi 3 m completare il Cod. Art. con "/300" (ad es. RO 60 AE/300).

**Schlüter®-RONDEC-AGSB**


alluminio anodizzato effetto nero spazzolato

H (mm)	L = 2,50 m Cod. Art.	CHF / m	cassa (pz.)
6	RO 60 AGSB	<b>17,18</b>	120
8	RO 80 AGSB	<b>19,28</b>	120
10	RO 100 AGSB	<b>20,30</b>	120
12,5	RO 125 AGSB	<b>21,27</b>	120


**Angolo | Innesto**
**Schlüter®-RONDEC-A/EV**

 angolo esterno 90°  
alluminio

H (mm)	Cod. Art.	CHF / pz	crt. (pz.)
6	EV / RO 60 ...*	<b>9,77</b>	50
8	EV / RO 80 ...*	<b>10,19</b>	50
9	EV / RO 90 ...**	<b>10,39</b>	50
10	EV / RO 100 ...*	<b>10,62</b>	50
11	EV / RO 110 ...**	<b>10,79</b>	50
12,5	EV / RO 125 ...*	<b>11,02</b>	50
15	EV / RO 150 ...**	<b>11,41</b>	50

**Schlüter®-RONDEC-A/ED**

 angolo esterno 90°  
metallico decorato

H (mm)	Cod. Art.	CHF / pz	crt. (pz.)
6	ED / RO 60 ...***	<b>4,21</b>	50
8	ED / RO 80 ...***	<b>4,21</b>	50
9	ED / RO 90 ...**	<b>4,21</b>	50
10	ED / RO 100 ...***	<b>4,21</b>	50
11	ED / RO 110 ...**	<b>4,21</b>	50
12,5	ED / RO 125 ...***	<b>4,21</b>	50
15	ED / RO 150 ...**	<b>4,21</b>	50


**Schlüter®-RONDEC-A/IV**

 angolo interno 90°  
alluminio

H (mm)	Cod. Art.	CHF / pz	crt. (pz.)
6	IV / RO 60 ...*	<b>9,77</b>	50
8	IV / RO 80 ...*	<b>10,19</b>	50
9	IV / RO 90 ...**	<b>10,39</b>	50
10	IV / RO 100 ...*	<b>10,62</b>	50
11	IV / RO 110 ...**	<b>10,79</b>	50
12,5	IV / RO 125 ...*	<b>11,02</b>	50
15	IV / RO 150 ...**	<b>11,41</b>	50

**Schlüter®-RONDEC-A/ID**

 angolo interno 90°  
metallico decorato

H (mm)	Cod. Art.	CHF / pz	crt. (pz.)
6	ID / RO 60 ...**	<b>4,21</b>	50
8	ID / RO 80 ...**	<b>4,21</b>	50
9	ID / RO 90 ...**	<b>4,21</b>	50
10	ID / RO 100 ...**	<b>4,21</b>	50
11	ID / RO 110 ...**	<b>4,21</b>	50
12,5	ID / RO 125 ...**	<b>4,21</b>	50
15	ID / RO 150 ...**	<b>4,21</b>	50


**Schlüter®-RONDEC-A/V**

connettore per profili in alluminio

H (mm)	Cod. Art.	CHF / pz	crt. (pz.)
6	V / RO 60	<b>1,42</b>	50
8	V / RO 80	<b>1,42</b>	50
10	V / RO 100	<b>1,42</b>	50
11	V / RO 110	<b>1,42</b>	50
12,5	V / RO 125	<b>1,42</b>	50



Il connettore Schlüter®-RONDEC-A/V nelle altezze 6-12,5 mm può essere utilizzato per Schlüter®-RONDEC e -QUADEC.


**Completare il Cod. Art. con il tipo di finitura (ad es. EV / RO 60 ACGB)**

\* Finiture: ACG - ACGB - AE - AGSB - AK - AKG - AKGB - AM - AMG - AMGB - AT - ATG - ATGB

\*\* Finiture: ACG - ACGB - AE

\*\*\* Finiture: ACG - ACGB - AE - AT - ATG - ATGB

A pagina 340 e segg. è disponibile una panoramica delle finiture e dei colori.

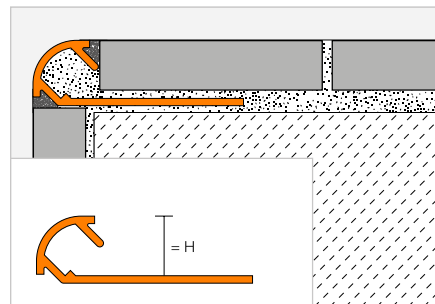


## Profilo di chiusura

### Schlüter®-RONDEC-AC



Schlüter-RODEC-AC è un profilo decorativo di chiusura a forma arrotondata, in alluminio colorato, adatto per gli angoli dei rivestimenti in ceramica. Tramite il distanziatore si crea una fuga precisa tra il profilo e la piastrella. (Scheda tecnica 2.1)



#### Schlüter®-RONDEC-AC

alluminio colorato

H (mm)	L = 2,50 m Cod. Art.	CHF / m	cassa (pz.)
6	RO 60 ...*	8,94	120
8	RO 80 ...*	9,94	120
10	RO 100 ...*	10,92	120
11	RO 110 ...**	12,30	120
12,5	RO 125 ...*	13,62	120

**MyDesign by Schlüter-Systems**  
 E' possibile personalizzare il profilo con stampe e colori scegliendo tra 190 tonalità della gamma RAL Classic. Per maggiori dettagli consultare pag. 16.

Per profili lunghi 3 m completare il Cod. Art. con "/300" (ad es. RO 60 BW/300).

## Angolo | Innesto

#### Schlüter®-RONDEC-AC/ED

angolo esterno 90°  
metallico decorato

H (mm)	Cod. Art.	CHF / pz	crt. (pz.)
6	ED / RO 60 ...*	4,21	50
8	ED / RO 80 ...*	4,21	50
10	ED / RO 100 ...*	4,21	50
11	ED / RO 110 ...**	4,21	50
12,5	ED / RO 125 ...*	4,21	50

#### Schlüter®-RONDEC-AC/ID

angolo interno 90°  
metallico decorato

H (mm)	Cod. Art.	CHF / pz	crt. (pz.)
6	ID / RO 60 ...*	4,21	50
8	ID / RO 80 ...*	4,21	50
10	ID / RO 100 ...*	4,21	50
11	ID / RO 110 ...**	4,21	50
12,5	ID / RO 125 ...*	4,21	50



#### Schlüter®-RONDEC-A/V

connettore per profili in alluminio

H (mm)	Cod. Art.	CHF / pz	crt. (pz.)
6	V / RO 60	1,42	50
8	V / RO 80	1,42	50
10	V / RO 100	1,42	50
11	V / RO 110	1,42	50
12,5	V / RO 125	1,42	50



Il connettore Schlüter-RODEC-A/V nelle altezze 6-12,5 mm può essere utilizzato per Schlüter-RODEC e -QUADEC.

#### Completare il Cod. Art. con il colore (ad es. ID / RO 60 GM)



\* Colori disponibili L = 2,50 m: BH - BW - G - GM - GS - HB - HG - MBW - MGS - PG - W

\*\* Colori disponibili L = 2,50 m: BH - BW - MBW - MGS - PG - W

Colori disponibili L = 3,00 m: BW - MBW - MGS - PG - W

A pagina 340 e segg. è disponibile una panoramica delle finiture e dei colori.



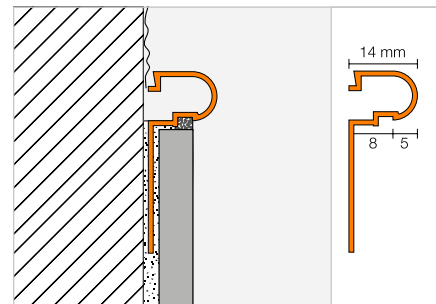
Profilo di chiusura



Schlüter®-RONDEC-DB



Schlüter-RODEC-DB è un profilo decorativo di chiusura a forma arrotondata, per rivestimenti in ceramica e per battiscopa. (Scheda tecnica 2.5)



Schlüter®-RONDEC-DB-A

alluminio

L = 2,50 m Cod. Art.	CHF / m	cassa (pz.)
DB 14 A	9,94	120

Schlüter®-RONDEC-DB-AE

alluminio anodizzato

L = 2,50 m Cod. Art.	CHF / m	cassa (pz.)
DB 14 AE	13,34	120

Schlüter®-RONDEC-DB-AM

alluminio anodizzato effetto ottone

L = 2,50 m Cod. Art.	CHF / m	cassa (pz.)
DB 14 AM	13,34	120

Schlüter®-RONDEC-DB-AC

alluminio colorato

L = 2,50 m Cod. Art.	CHF / m	cassa (pz.)
DB 14 ...*	15,46	120

**MyDesign by Schlüter-Systems**  
 E' possibile personalizzare il colore scegliendo tra 190 tonalità della gamma RAL Classic.  
 Per maggiori dettagli consultare pag. 16.

Completare il Cod. Art. con il colore (ad es. DB 14 MBW)



\* Colori disponibili: BW - MBW - MGS

A pagina 340 e segg. è disponibile una panoramica delle finiture e dei colori.



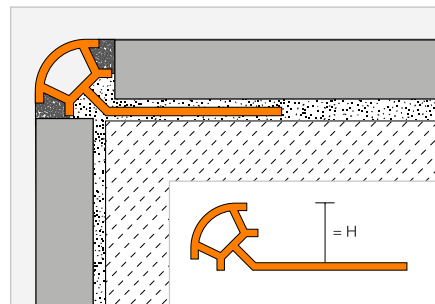
## Profilo di chiusura

### Schlüter®-RONDEC-PRO



Schlüter-RONDEC-PRO è un profilo decorativo di chiusura a forma arrotondata, in PVC colorato, per rivestimenti in ceramica, adatto anche per battiscopa. Tramite il distanziatore si crea una fuga precisa tra il profilo e la piastrella.

(Scheda tecnica 2.1)



### Schlüter®-RONDEC-PRO

PVC colorato

H (mm)	L = 2,50 m Cod. Art.	CHF / m	cassa (pz.)
6	PRO 60 ...*	3,54	240
8	PRO 80 ...*	3,70	240
10	PRO 100 ...*	3,98	240
11	PRO 110 ...**	4,12	240
12,5	PRO 125 ...**	4,22	240

Per profili lunghi 3 m completare il Cod. Art. con "/300" (ad es. PRO 60 BW/300).

## Angolo



### Schlüter®-RONDEC-PRO/E

angolo esterno 90°

H (mm)	Cod. Art.	CHF / pz	crt. (pz.)
6	E / PRO 60 ...*	2,22	50
8	E / PRO 80 ...*	2,22	50
10	E / PRO 100 ...*	2,22	50
11	E / PRO 110 ...**	2,22	50
12,5	E / PRO 125 ...**	2,22	50

### Schlüter®-RONDEC-PRO/I

angolo interno 90°

H (mm)	Cod. Art.	CHF / pz	crt. (pz.)
6	I / PRO 60 ...*	2,22	50
8	I / PRO 80 ...*	2,22	50
10	I / PRO 100 ...*	2,22	50
11	I / PRO 110 ...**	2,22	50
12,5	I / PRO 125 ...**	2,22	50

Completare il Cod. Art. con il colore (ad es. I / PRO 60 CA)



\* Colori disponibili L = 2,50 m: AP - BH - BW - CA - G - GS - HB - HG - NB - PG - SP - W

\*\* Colori disponibili L = 2,50 m: BW - GS - PG - SP - W

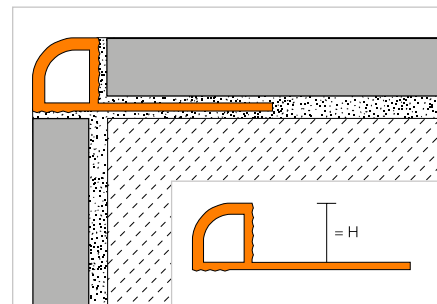
Colori disponibili L = 3,00 m: BW - PG - W

A pagina 340 e segg. è disponibile una panoramica delle finiture e dei colori.

## Profilo di chiusura

**Schlüter®-RONDEC-PRG**


Schlüter-RONDEC-PRG è un profilo decorativo di chiusura a forma arrotondata, in PVC colorato, per rivestimenti in ceramica, adatto anche per battiscopa.  
(Scheda tecnica 2.1)


**Schlüter®-RONDEC-PRG**

PVC colorato

H (mm)	L = 2,50 m Cod. Art.	CHF / m	cassa (pz.)
6	PRG 60 ...*	3,54	240
8	PRG 80 ...*	3,70	240
10	PRG 100 ...*	3,98	120
12,5	PRG 125 ...*	4,22	120

Per profili lunghi 3 m completare il Cod. Art. con "/300" (ad es. PRG 60 BW/300).

## Angolo


**Schlüter®-RONDEC-PRG/E**

angolo esterno 90°

H (mm)	Cod. Art.	CHF / pz	crt. (pz.)
6	E / PRG 60 ...*	2,22	50
8	E / PRG 80 ...*	2,22	50
10	E / PRG 100 ...*	2,22	50
12,5	E / PRG 125 ...*	2,22	50

**Schlüter®-RONDEC-PRG/I**

angolo interno 90°

H (mm)	Cod. Art.	CHF / pz	crt. (pz.)
6	I / PRG 60 ...*	2,22	50
8	I / PRG 80 ...*	2,22	50
10	I / PRG 100 ...*	2,22	50
12,5	I / PRG 125 ...*	2,22	50

Completare il Cod. Art. con il colore (ad es. I / PRG 60 BW)

BW PG W

\* Colori disponibili: BW - PG - W

A pagina 340 e segg. è disponibile una panoramica delle finiture e dei colori.



# Schlüter®-JOLLY

Un grande classico in una nuova veste

I profili di chiusura a parete JOLLY sono un classico intramontabile nel mondo dei profili Schlüter. Ora abbiamo rinnovato questa gamma per rendere il vostro lavoro perfetto in ogni dettaglio di posa. Vediamo il risultato:

- ✓ Nuova geometria con angolo a 90°
- ✓ Angoli che si innestano con un sistema plug-in intelligente
- ✓ Evita angoli esterni a spigolo vivo
- ✓ Angoli in materiale pieno
- ✓ Angoli adatti sia per lato destro che sinistro

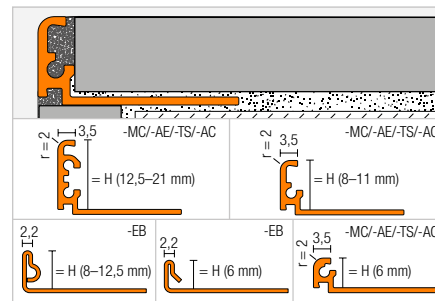


## Profilo di chiusura

**Schlüter®-JOLLY**


Schlüter-JOLLY è un profilo decorativo di chiusura in metallo per pareti rivestite in ceramica. Si utilizza per proteggere gli spigoli e per la finitura dei battiscopa. Questo profilo di protezione è caratterizzato da un angolo a 90° tra aletta di fissaggio e lato a vista. Grazie ai distanziatori presenti su entrambi i lati è possibile definire con precisione le fughe verso la piastrella. Le rientranze all'interno del profilo favoriscono l'ancoraggio della stuccatura. Per tutta la gamma JOLLY sono disponibili nuovi pezzi speciali per la realizzazione di angoli esterni. Il loro fissaggio avviene con innesti plug-in, già inclusi nella confezione.

(Scheda tecnica 2.3)


**Schlüter®-JOLLY-MC**


ottone cromato

H (mm)	L = 2,50 m Cod. Art.	CHF / m	cassa (pz.)
6	J 60 MC	<b>32,79</b>	120
8	J 80 MC	<b>33,48</b>	120
10	J 100 MC	<b>34,14</b>	120
11	J 110 MC	<b>34,81</b>	120
12,5	J 125 MC	<b>35,47</b>	120

**Schlüter®-JOLLY-EB**


acciaio inossidabile V2A spazzolato

H (mm)	L = 2,50 m Cod. Art.	CHF / m	cassa (pz.)
6	J 60 EB	<b>19,57</b>	120
8	J 80 EB	<b>19,95</b>	120
10	J 100 EB	<b>20,35</b>	120
11	J 110 EB	<b>20,74</b>	120
12,5	J 125 EB	<b>21,14</b>	120

**Schlüter®-JOLLY-AE**


alluminio anodizzato

H (mm)	L = 2,50 m Cod. Art.	CHF / m	cassa (pz.)
6	J 60 AE	<b>6,36</b>	120
8	J 80 AE	<b>6,63</b>	120
10	J 100 AE	<b>7,03</b>	120
11	J 110 AE	<b>7,37</b>	120
12,5	J 125 AE	<b>7,83</b>	120

Per profili lunghi 3 m completare il Cod. Art. con "/300" (ad es. J 60 AE/300).

## Angolo | Innesto

**Schlüter®-JOLLY-MC/EV**

angolo esterno 90°  
ottone cromato

H (mm)	Cod. Art.	CHF / pz	crt. (pz.)
6	EV / J 60 MC	<b>20,76</b>	50
8	EV / J 80 MC	<b>20,76</b>	50
10	EV / J 100 MC	<b>20,76</b>	50
11	EV / J 110 MC	<b>20,76</b>	50
12,5	EV / J 125 MC	<b>20,76</b>	50

**Schlüter®-JOLLY-EB/EV**

angolo esterno 90°  
acciaio inossidabile V2A spazzolato

H (mm)	Cod. Art.	CHF / pz	crt. (pz.)
6	EV / J 60 EB	<b>28,03</b>	50
8	EV / J 80 EB	<b>28,03</b>	50
10	EV / J 100 EB	<b>28,03</b>	50
11	EV / J 110 EB	<b>28,03</b>	50
12,5	EV / J 125 EB	<b>28,03</b>	50

**Schlüter®-JOLLY-AE/EV**

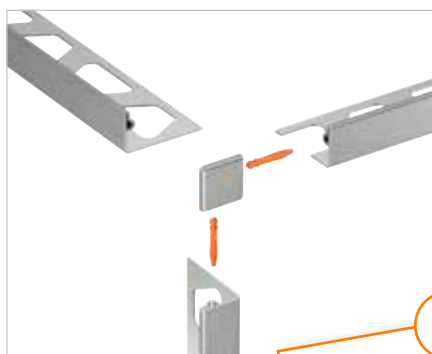
angolo esterno 90°  
alluminio anodizzato

H (mm)	Cod. Art.	CHF / pz	crt. (pz.)
6	EV / J 60 AE	<b>16,73</b>	50
8	EV / J 80 AE	<b>16,73</b>	50
10	EV / J 100 AE	<b>16,73</b>	50
11	EV / J 110 AE	<b>16,73</b>	50
12,5	EV / J 125 AE	<b>16,73</b>	50

**Schlüter®-JOLLY/V**

connettore per profili JOLLY (4 pezzi)

Cod. Art.	CHF / Conf.	crt. (conf.)
V / JPP 4	<b>3,58</b>	50



**i**  
Gli innesti plug-in sono inclusi  
nella fornitura degli angoli!

A pagina 340 e segg. è disponibile una panoramica delle finiture e dei colori.



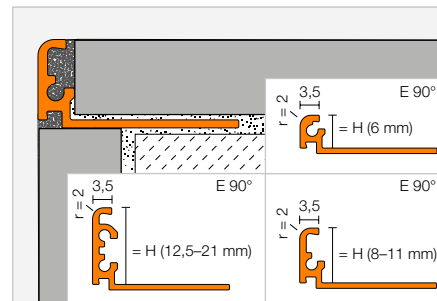
## Profilo di chiusura

### Schlüter®-JOLLY-TS



Schlüter-JOLLY-TS è un profilo decorativo di chiusura in alluminio con speciale finitura a rilievo, per rivestimenti in ceramica, che può essere utilizzato anche per la finitura di battiscopa e la protezione degli spigoli. Questo profilo di protezione è caratterizzato da un angolo a 90° tra aletta di fissaggio e lato a vista. E' in alluminio con speciale finitura a rilievo. Grazie ai distanziatori presenti su entrambi i lati è possibile definire con precisione le fughe verso la piastrella. Le rientranze all'interno del profilo favoriscono l'ancoraggio della stuccatura. Per tutta la gamma JOLLY-TS sono disponibili nuovi pezzi speciali per la realizzazione di angoli esterni. Il loro fissaggio avviene con innesti plug-in, già inclusi nella confezione.

(Scheda tecnica 2.3)



#### Schlüter®-JOLLY-MBW



alluminio colorato, bianco matt finitura a rilievo

H (mm)	L = 2,50 m Cod. Art.	CHF / m	cassa (pz.)
6	J 60 MBW	7,83	120
8	J 80 MBW	8,31	120
10	J 100 MBW	8,97	120
11	J 110 MBW	9,31	120
12,5	J 125 MBW	9,71	120
14	J 140 MBW	9,97	120
16	J 160 MBW	10,38	120
21	J 210 MBW	10,84	120

#### Schlüter®-JOLLY-MGS



alluminio colorato, nero matt finitura a rilievo

H (mm)	L = 2,50 m Cod. Art.	CHF / m	cassa (pz.)
6	J 60 MGS	7,83	120
8	J 80 MGS	8,31	120
10	J 100 MGS	8,97	120
11	J 110 MGS	9,31	120
12,5	J 125 MGS	9,71	120
14	J 140 MGS	9,97	120
16	J 160 MGS	10,38	120
21	J 210 MGS	10,84	120

#### Schlüter®-JOLLY-TSB



alluminio con finitura a rilievo, beige

H (mm)	L = 2,50 m Cod. Art.	CHF / m	cassa (pz.)
6	J 60 TSB	15,07	120
8	J 80 TSB	16,06	120
10	J 100 TSB	16,40	120
11	J 110 TSB	16,73	120
12,5	J 125 TSB	17,41	120

#### Schlüter®-JOLLY-TSBG



alluminio con finitura a rilievo, greige

H (mm)	L = 2,50 m Cod. Art.	CHF / m	cassa (pz.)
6	J 60 TSBG	15,07	120
8	J 80 TSBG	16,06	120
10	J 100 TSBG	16,40	120
11	J 110 TSBG	16,73	120
12,5	J 125 TSBG	17,41	120

#### Schlüter®-JOLLY-TSC



alluminio con finitura a rilievo, sabbia

H (mm)	L = 2,50 m Cod. Art.	CHF / m	cassa (pz.)
6	J 60 TSC	15,07	120
8	J 80 TSC	16,06	120
10	J 100 TSC	16,40	120
11	J 110 TSC	16,73	120
12,5	J 125 TSC	17,41	120

#### Schlüter®-JOLLY-TSDA



alluminio con finitura a rilievo, antracite

H (mm)	L = 2,50 m Cod. Art.	CHF / m	cassa (pz.)
6	J 60 TSDA	15,07	120
8	J 80 TSDA	16,06	120
10	J 100 TSDA	16,40	120
11	J 110 TSDA	16,73	120
12,5	J 125 TSDA	17,41	120

#### Schlüter®-JOLLY-TSG



alluminio con finitura a rilievo, grigio

H (mm)	L = 2,50 m Cod. Art.	CHF / m	cassa (pz.)
6	J 60 TSG	15,07	120
8	J 80 TSG	16,06	120
10	J 100 TSG	16,40	120
11	J 110 TSG	16,73	120
12,5	J 125 TSG	17,41	120

#### Schlüter®-JOLLY-TSI



alluminio con finitura a rilievo, avorio

H (mm)	L = 2,50 m Cod. Art.	CHF / m	cassa (pz.)
6	J 60 TSI	15,07	120
8	J 80 TSI	16,06	120
10	J 100 TSI	16,40	120
11	J 110 TSI	16,73	120
12,5	J 125 TSI	17,41	120
14	J 140 TSI	18,08	120
16	J 160 TSI	18,75	120
21	J 210 TSI	19,40	120

#### Schlüter®-JOLLY-TSLA



alluminio con finitura a rilievo, canna di fucile

H (mm)	L = 2,50 m Cod. Art.	CHF / m	cassa (pz.)
6	J 60 TSLA	15,07	120
8	J 80 TSLA	16,06	120
10	J 100 TSLA	16,40	120
11	J 110 TSLA	16,73	120
12,5	J 125 TSLA	17,41	120

Per profili lunghi 3 m completare il Cod. Art. con "/300" (ad es. J 60 TSI/300).

**Schlüter®-JOLLY-TSOB**


alluminio con finitura a rilievo, bronzo

H (mm)	L = 2,50 m Cod. Art.	CHF / m	cassa (pz.)
6	J 60 TSOB	15,07	120
8	J 80 TSOB	16,06	120
10	J 100 TSOB	16,40	120
11	J 110 TSOB	16,73	120
12,5	J 125 TSOB	17,41	120
14	J 140 TSOB	18,08	120
16	J 160 TSOB	18,75	120
21	J 210 TSOB	19,40	120

**Schlüter®-JOLLY-TSR**


alluminio con finitura a rilievo, ruggine

H (mm)	L = 2,50 m Cod. Art.	CHF / m	cassa (pz.)
6	J 60 TSR	15,07	120
8	J 80 TSR	16,06	120
10	J 100 TSR	16,40	120
11	J 110 TSR	16,73	120
12,5	J 125 TSR	17,41	120

Per profili lunghi 3 m completare il Cod. Art. con "/300" (ad es. J 60 TSI/300).

**Schlüter®-JOLLY-TSSG**


alluminio con finitura a rilievo, grigio sasso

H (mm)	L = 2,50 m Cod. Art.	CHF / m	cassa (pz.)
6	J 60 TSSG	15,07	120
8	J 80 TSSG	16,06	120
10	J 100 TSSG	16,40	120
11	J 110 TSSG	16,73	120
12,5	J 125 TSSG	17,41	120
14	J 140 TSSG	18,08	120
16	J 160 TSSG	18,75	120
21	J 210 TSSG	19,40	120

**Angolo | Innesto**
**Schlüter®-JOLLY-AC/EV**

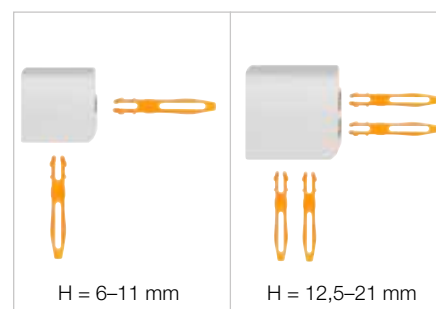
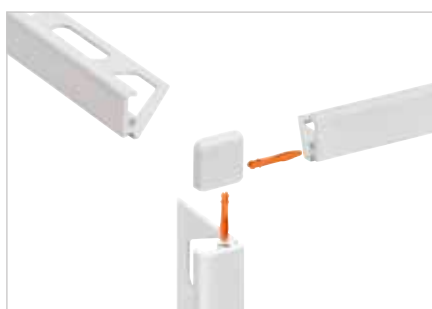
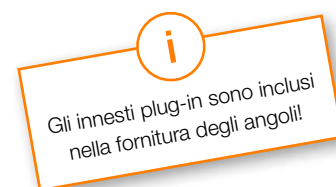
 angolo esterno 90°  
per JOLLY-MBW/-MGS alluminio colorato

H (mm)	Cod. Art.	CHF / pz	crt. (pz.)
6	EV / J 60 ...***	16,06	50
8	EV / J 80 ...***	16,06	50
10	EV / J 100 ...***	16,06	50
11	EV / J 110 ...***	16,06	50
12,5	EV / J 125 ...***	16,06	50
14	EV / J 140 ...***	19,20	50
16	EV / J 160 ...***	19,20	50
21	EV / J 210 ...***	19,20	50

**Schlüter®-JOLLY-TS/EV**

 angolo esterno 90°  
alluminio con finitura a rilievo

H (mm)	Cod. Art.	CHF / pz	crt. (pz.)
6	EV / J 60 ...*	16,73	50
8	EV / J 80 ...*	16,73	50
10	EV / J 100 ...*	16,73	50
11	EV / J 110 ...*	16,73	50
12,5	EV / J 125 ...*	16,73	50
14	EV / J 140 ...**	19,41	50
16	EV / J 160 ...**	19,41	50
21	EV / J 210 ...**	19,41	50


**Schlüter®-JOLLY/V**

connettore per profili JOLLY (4 pezzi)

Cod. Art.	CHF / Conf.	crt. (conf.)
V / JPP 4	3,58	50


**Completare il Cod. Art. con finitura/colore (ad es. EV / J 60 MGS)**

\* Finiture/colori: TSB - TSBG - TSC - TSDA - TSG - TSI - TSLA - TSOB - TSR - TSSG

\*\* Finiture/colori: TSI - TSOB - TSSG

\*\*\* Finiture/colori: MBW - MGS

**Finiture | Colori disponibili**


A pagina 340 e segg. è disponibile una panoramica delle finiture e dei colori.

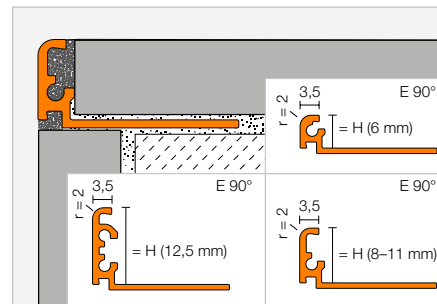


## Profilo di chiusura

### Schlüter®-JOLLY-A



Schlüter-JOLLY-A è un profilo decorativo di chiusura in alluminio anodizzato, per rivestimenti in ceramica, che può essere utilizzato anche per la finitura di battiscopa e la protezione degli spigoli. Questo profilo di protezione è caratterizzato da un angolo a 90° tra aletta di fissaggio e lato a vista. Grazie ai distanziatori presenti su entrambi i lati è possibile definire con precisione le fughe verso la piastrella. Le rientranze all'interno del profilo favoriscono l'ancoraggio della stuccatura. Per tutta la gamma JOLLY-A sono disponibili nuovi pezzi speciali per la realizzazione di angoli esterni. Il loro fissaggio avviene con innesti plug-in, già inclusi nella confezione. (Scheda tecnica 2.3)



### Schlüter®-JOLLY-ACG



alluminio anodizzato effetto cromato lucido

H (mm)	L = 2,50 m Cod. Art.	CHF / m	cassa (pz.)
6	J 60 ACG	15,07	120
8	J 80 ACG	16,06	120
10	J 100 ACG	16,40	120
11	J 110 ACG	16,73	120
12,5	J 125 ACG	17,07	120

### Schlüter®-JOLLY-ACGB



alluminio anodizzato effetto cromato spazzolato

H (mm)	L = 2,50 m Cod. Art.	CHF / m	cassa (pz.)
6	J 60 ACGB	15,07	120
8	J 80 ACGB	16,06	120
10	J 100 ACGB	16,40	120
11	J 110 ACGB	16,73	120
12,5	J 125 ACGB	17,07	120

Per profili lunghi 3 m completare il Cod. Art. con "/300" (ad es. J 60 ACG/300).

### Schlüter®-JOLLY-AM



alluminio anodizzato effetto ottone

H (mm)	L = 2,50 m Cod. Art.	CHF / m	cassa (pz.)
6	J 60 AM	12,65	120
8	J 80 AM	13,06	120
10	J 100 AM	13,39	120
11	J 110 AM	13,71	120
12,5	J 125 AM	14,06	120

### Schlüter®-JOLLY-AMG



alluminio anodizzato effetto ottone lucido

H (mm)	L = 2,50 m Cod. Art.	CHF / m	cassa (pz.)
6	J 60 AMG	15,07	120
8	J 80 AMG	16,06	120
10	J 100 AMG	16,40	120
11	J 110 AMG	16,73	120
12,5	J 125 AMG	17,07	120

### Schlüter®-JOLLY-AMGB



alluminio anodizzato effetto ottone spazzolato

H (mm)	L = 2,50 m Cod. Art.	CHF / m	cassa (pz.)
6	J 60 AMGB	15,07	120
8	J 80 AMGB	16,06	120
10	J 100 AMGB	16,40	120
11	J 110 AMGB	16,73	120
12,5	J 125 AMGB	17,07	120

### Schlüter®-JOLLY-AK



alluminio anodizzato effetto rame

H (mm)	L = 2,50 m Cod. Art.	CHF / m	cassa (pz.)
6	J 60 AK	12,65	120
8	J 80 AK	13,06	120
10	J 100 AK	13,39	120
11	J 110 AK	13,71	120
12,5	J 125 AK	14,05	120

### Schlüter®-JOLLY-AKG



alluminio anodizzato effetto rame lucido

H (mm)	L = 2,50 m Cod. Art.	CHF / m	cassa (pz.)
6	J 60 AKG	15,07	120
8	J 80 AKG	16,06	120
10	J 100 AKG	16,40	120
11	J 110 AKG	16,73	120
12,5	J 125 AKG	17,07	120

### Schlüter®-JOLLY-AKGB



alluminio anodizzato effetto rame spazzolato

H (mm)	L = 2,50 m Cod. Art.	CHF / m	cassa (pz.)
6	J 60 AKGB	15,07	120
8	J 80 AKGB	16,06	120
10	J 100 AKGB	16,40	120
11	J 110 AKGB	16,73	120
12,5	J 125 AKGB	17,07	120

### Schlüter®-JOLLY-AT



alluminio anodizzato effetto titanio

H (mm)	L = 2,50 m Cod. Art.	CHF / m	cassa (pz.)
6	J 60 AT	12,65	120
8	J 80 AT	13,06	120
10	J 100 AT	13,39	120
11	J 110 AT	13,71	120
12,5	J 125 AT	14,05	120

### Schlüter®-JOLLY-ATG



alluminio anodizzato effetto titanio lucido

H (mm)	L = 2,50 m Cod. Art.	CHF / m	cassa (pz.)
6	J 60 ATG	15,07	120
8	J 80 ATG	16,06	120
10	J 100 ATG	16,40	120
11	J 110 ATG	16,73	120
12,5	J 125 ATG	17,07	120

### Schlüter®-JOLLY-ATGB



alluminio anodizzato effetto titanio spazzolato

H (mm)	L = 2,50 m Cod. Art.	CHF / m	cassa (pz.)
6	J 60 ATGB	15,07	120
8	J 80 ATGB	16,06	120
10	J 100 ATGB	16,40	120
11	J 110 ATGB	16,73	120
12,5	J 125 ATGB	17,07	120



**Schlüter®-JOLLY-ABGB**

 alluminio anodizzato  
 effetto bronzo anticato spazzolato

H (mm)	L = 2,50 m Cod. Art.	CHF / m	cassa (pz.)
6	J 60 ABGB	<b>15,07</b>	120
8	J 80 ABGB	<b>16,06</b>	120
10	J 100 ABGB	<b>16,40</b>	120
11	J 110 ABGB	<b>16,74</b>	120
12,5	J 125 ABGB	<b>17,07</b>	120

**Schlüter®-JOLLY-AGRB**

 alluminio anodizzato  
 effetto grafite spazzolato

H (mm)	L = 2,50 m Cod. Art.	CHF / m	cassa (pz.)
6	J 60 AGRB	<b>15,07</b>	120
8	J 80 AGRB	<b>16,06</b>	120
10	J 100 AGRB	<b>16,40</b>	120
11	J 110 AGRB	<b>16,74</b>	120
12,5	J 125 AGRB	<b>17,07</b>	120

**Schlüter®-JOLLY-AGSG**

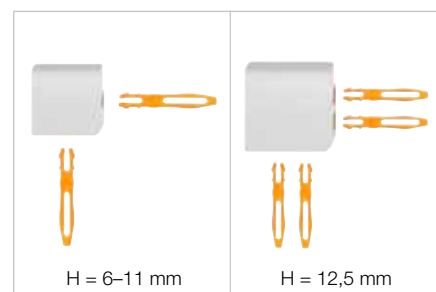
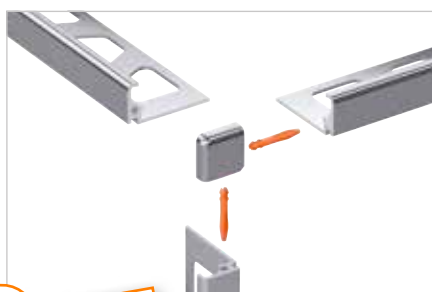
 alluminio anodizzato  
 effetto nero lucido

H (mm)	L = 2,50 m Cod. Art.	CHF / m	cassa (pz.)
6	J 60 AGSG	<b>15,07</b>	120
8	J 80 AGSG	<b>16,06</b>	120
10	J 100 AGSG	<b>16,40</b>	120
11	J 110 AGSG	<b>16,74</b>	120
12,5	J 125 AGSG	<b>17,07</b>	120

**Angolo | Innesto**
**Schlüter®-JOLLY-A/EV**

angolo esterno 90° alluminio

H (mm)	Cod. Art.	CHF / pz	crt. (pz.)
6	EV / J 60 ...*	<b>18,07</b>	50
8	EV / J 80 ...*	<b>18,07</b>	50
10	EV / J 100 ...*	<b>18,07</b>	50
11	EV / J 110 ...*	<b>18,07</b>	50
12,5	EV / J 125 ...*	<b>18,07</b>	50



**i**  
 Gli innesti plug-in sono inclusi  
 nella fornitura degli angoli!

**Schlüter®-JOLLY/V**

connettore per profili JOLLY (4 pezzi)

Cod. Art.	CHF / Conf.	crt. (conf.)
V / JPP 4	<b>3,58</b>	50


**Completare il Cod. Art. con il tipo di finitura (ad es. EV / J 60 ACG)**

\* Finiture: ABGB - ACG - ACGB - AGRB - AGSG - AK - AKG - AKGB - AM - AMG - AMGB - AT - ATG - ATGB

A pagina 340 e segg. è disponibile una panoramica delle finiture e dei colori.



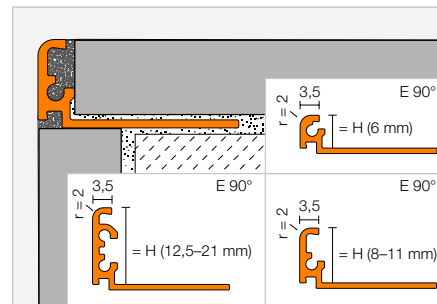
## Profilo di chiusura

### Schlüter®-JOLLY-AC



Schlüter-JOLLY-AC è un profilo decorativo di chiusura in alluminio colorato, per rivestimenti in ceramica, che può essere utilizzato anche per la finitura di battiscopa e la protezione degli spigoli. Questo profilo di protezione è caratterizzato da un angolo a 90° tra aletta di fissaggio e lato a vista. Grazie ai distanziatori presenti su entrambi i lati è possibile definire con precisione le fughe verso la piastrella. Le rientranze all'interno del profilo favoriscono l'ancoraggio della stuccatura. Per tutta la gamma JOLLY-AC sono disponibili nuovi pezzi speciali per la realizzazione di angoli esterni. Il loro fissaggio avviene con innesti plug-in, già inclusi nella confezione.

(Scheda tecnica 2.3)



#### Schlüter®-JOLLY-AC

alluminio colorato

H (mm)	L = 2,50 m Cod. Art.	CHF / m	cassa (pz.)
6	J 60 ...*	7,83	120
8	J 80 ...*	8,31	120
10	J 100 ...*	8,97	120
11	J 110 ...*	9,31	120
12,5	J 125 ...*	9,71	120
14	J 140 ...**	9,97	120
16	J 160 ...**	10,38	120
21	J 210 ...**	10,84	120

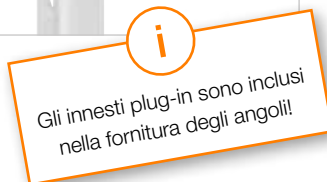
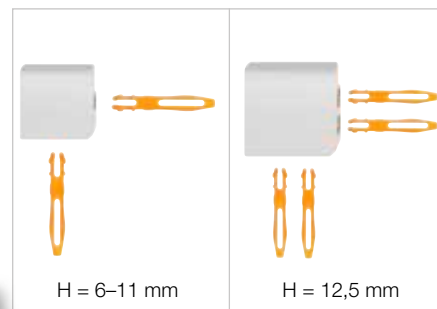
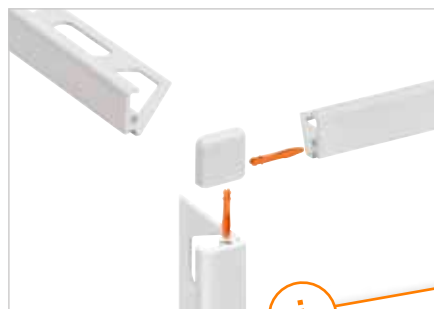
Per profili lunghi 3 m completare il Cod. Art. con "/300" (ad es. J 60 BW/300).

## Angolo | Innesto

### Schlüter®-JOLLY-AC/EV

angolo esterno 90° alluminio colorato

H (mm)	Cod. Art.	CHF / pz	crt. (pz.)
6	EV / J 60 ...*	16,06	50
8	EV / J 80 ...*	16,06	50
10	EV / J 100 ...*	16,06	50
11	EV / J 110 ...*	16,06	50
12,5	EV / J 125 ...*	16,06	50
14	EV / J 140 ...**	19,20	50
16	EV / J 160 ...**	19,20	50
21	EV / J 210 ...**	19,20	50



Completare il Cod. Art. con il colore (ad es. EV / J 60 MBW)



\* Colori disponibili L = 2,50 m: BW - G - GM - GS - MBW - MGS - PG - SB - W

\*\* Colori disponibili L = 2,50 m: BW - MBW - MGS

Colori disponibili L = 3,00 m: BW - GS - MBW - MGS - PG - W

A pagina 340 e segg. è disponibile una panoramica delle finiture e dei colori.

### Schlüter®-JOLLY/V

connettore per profili JOLLY (4 pezzi)

Cod. Art.	CHF / Conf.	crt. (conf.)
V / JPP 4	3,58	50

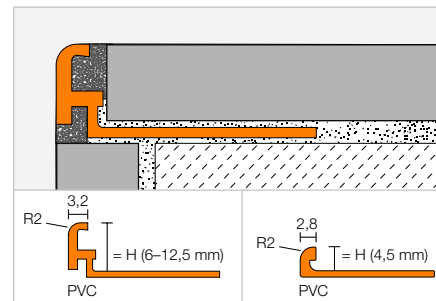


## Profilo di chiusura






**Schlüter®-JOLLY-P**


Schlüter-JOLLY-P è un profilo decorativo di chiusura in PVC, per rivestimenti in ceramica, che può essere utilizzato anche per la finitura di battiscopa e la protezione degli spigoli. Tramite il distanziatore si crea una fuga precisa tra il profilo e la piastrella.

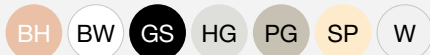
(Scheda tecnica 2.3)


**Schlüter®-JOLLY-P**

PVC colorato

H (mm)	L = 2,50 m Cod. Art.	CHF / m	cassa (pz.)
4,5	...* 45	<b>3,27</b>	240
6 	...** 60	<b>3,27</b>	240
8 	...** 80	<b>3,54</b>	240
10 	...** 100	<b>3,70</b>	240
11 	...** 110	<b>4,05</b>	240
12,5 	...*** 125	<b>4,59</b>	240

Per profili lunghi 3 m completare il Cod. Art. con "/300" (ad es. BW 60/300).

**Completare il Cod. Art. con il colore (ad es. W 45)**


\* Colori disponibili L = 2,50 m: BW - HG - W

\*\* Colori disponibili L = 2,50 m: BH - BW - GS - HG - PG - SP - W

\*\*\* Colori disponibili L = 2,50 m: BW - HG - PG - W

Colori disponibili L = 3,00 m: BW - PG - W

A pagina 340 e segg. è disponibile una panoramica delle finiture e dei colori.



# Schlüter®-FINEC

L'eleganza della discrezione

Meno è più! Schlüter-FINEC è un profilo elegante e sottile per proteggere il bordo delle piastrelle negli angoli esterni. Schlüter-FINEC unisce elevata qualità e design minimalista. Disponibile in:

- ✓ Acciaio inossidabile
- ✓ Alluminio anodizzato
- ✓ Alluminio con finitura a rilievo, TRENDLINE
- ✓ Alluminio colorato
- ✓ Schlüter-FINEC-E, -TS e -A sono disponibili anche come kit per angoli



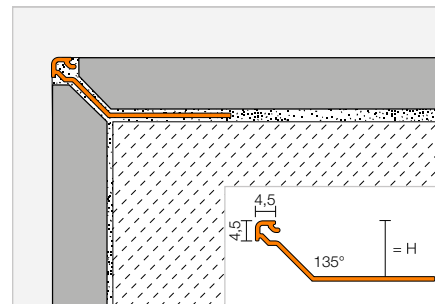


## Profilo di chiusura

**Schlüter®-FINEC-SQ**


Schlüter-FINEC-SQ è un profilo di protezione in alluminio anodizzato, colorato o con una speciale finitura a rilievo, disponibile in diversi colori, per i bordi esterni di rivestimenti in ceramica. Indipendentemente dallo spessore della piastrella, la parte a vista del profilo forma un'elegante e sottile finitura quadrata di soli 4,5 x 4,5 mm. Per l'angolo esterno è possibile l'abbinamento con il pezzo speciale di Schlüter-QUADEC 4,5 mm della stessa finitura.

(Scheda tecnica 2.17)


**Schlüter®-FINEC-SQ-AE**

alluminio anodizzato

H (mm)	L = 2,50 m Cod. Art.	CHF / m	cassa (pz.)
11	F SQ 110 AE	<b>8,48</b>	120
12,5	F SQ 125 AE	<b>9,13</b>	120
15	F SQ 150 AE	<b>9,78</b>	120

**Schlüter®-FINEC-SQ-MBW**

alluminio colorato, bianco matt finitura a rilievo

H (mm)	L = 2,50 m Cod. Art.	CHF / m	cassa (pz.)
11	F SQ 110 MBW	<b>11,08</b>	120
12,5	F SQ 125 MBW	<b>11,75</b>	120
15	F SQ 150 MBW	<b>12,39</b>	120

**Schlüter®-FINEC-SQ-MGS**

alluminio colorato, nero matt finitura a rilievo

H (mm)	L = 2,50 m Cod. Art.	CHF / m	cassa (pz.)
11	F SQ 110 MGS	<b>11,08</b>	120
12,5	F SQ 125 MGS	<b>11,75</b>	120
15	F SQ 150 MGS	<b>12,39</b>	120

**Schlüter®-FINEC-SQ-TSB**

alluminio con finitura a rilievo, beige

H (mm)	L = 2,50 m Cod. Art.	CHF / m	cassa (pz.)
11	F SQ 110 TSB	<b>18,90</b>	120
12,5	F SQ 125 TSB	<b>19,36</b>	120
15	F SQ 150 TSB	<b>19,75</b>	120

**Schlüter®-FINEC-SQ-TSBG**

alluminio con finitura a rilievo, greigio

H (mm)	L = 2,50 m Cod. Art.	CHF / m	cassa (pz.)
11	F SQ 110 TSBG	<b>18,90</b>	120
12,5	F SQ 125 TSBG	<b>19,36</b>	120
15	F SQ 150 TSBG	<b>19,75</b>	120

**Schlüter®-FINEC-SQ-TSC**

alluminio con finitura a rilievo, sabbia

H (mm)	L = 2,50 m Cod. Art.	CHF / m	cassa (pz.)
11	F SQ 110 TSC	<b>18,90</b>	120
12,5	F SQ 125 TSC	<b>19,36</b>	120
15	F SQ 150 TSC	<b>19,75</b>	120

**Schlüter®-FINEC-SQ-TSDA**

alluminio con finitura a rilievo, antracite

H (mm)	L = 2,50 m Cod. Art.	CHF / m	cassa (pz.)
11	F SQ 110 TSDA	<b>18,90</b>	120
12,5	F SQ 125 TSDA	<b>19,36</b>	120
15	F SQ 150 TSDA	<b>19,75</b>	120

**Schlüter®-FINEC-SQ-TSG**

alluminio con finitura a rilievo, grigio

H (mm)	L = 2,50 m Cod. Art.	CHF / m	cassa (pz.)
11	F SQ 110 TSG	<b>18,90</b>	120
12,5	F SQ 125 TSG	<b>19,36</b>	120
15	F SQ 150 TSG	<b>19,75</b>	120

**Schlüter®-FINEC-SQ-TSI**

alluminio con finitura a rilievo, avorio

H (mm)	L = 2,50 m Cod. Art.	CHF / m	cassa (pz.)
11	F SQ 110 TSI	<b>18,90</b>	120
12,5	F SQ 125 TSI	<b>19,36</b>	120
15	F SQ 150 TSI	<b>19,75</b>	120

**Schlüter®-FINEC-SQ-TSLA**

alluminio con finitura a rilievo, canna di fucile

H (mm)	L = 2,50 m Cod. Art.	CHF / m	cassa (pz.)
11	F SQ 110 TSLA	<b>18,90</b>	120
12,5	F SQ 125 TSLA	<b>19,36</b>	120
15	F SQ 150 TSLA	<b>19,75</b>	120

**Schlüter®-FINEC-SQ-TSOB**

alluminio con finitura a rilievo, bronzo

H (mm)	L = 2,50 m Cod. Art.	CHF / m	cassa (pz.)
11	F SQ 110 TSOB	<b>18,90</b>	120
12,5	F SQ 125 TSOB	<b>19,36</b>	120
15	F SQ 150 TSOB	<b>19,75</b>	120

**Schlüter®-FINEC-SQ-TSR**

alluminio con finitura a rilievo, ruggine

H (mm)	L = 2,50 m Cod. Art.	CHF / m	cassa (pz.)
11	F SQ 110 TSR	<b>18,90</b>	120
12,5	F SQ 125 TSR	<b>19,36</b>	120
15	F SQ 150 TSR	<b>19,75</b>	120

**Schlüter®-FINEC-SQ-TSSG**

alluminio con finitura a rilievo, grigio sasso

H (mm)	L = 2,50 m Cod. Art.	CHF / m	cassa (pz.)
11	F SQ 110 TSSG	<b>18,90</b>	120
12,5	F SQ 125 TSSG	<b>19,36</b>	120
15	F SQ 150 TSSG	<b>19,75</b>	120



## Angolo

### Schlüter®-QUADEC-A/EV

angolo esterno / interno 90°  
alluminio

H (mm)	Cod. Art.	CHF / pz	crt. (pz.)
4,5	EV / Q 45 AE	<b>9,57</b>	50

### Schlüter®-QUADEC-A/ED

angolo esterno 90°  
imitazione alluminio

H (mm)	Cod. Art.	CHF / pz	crt. (pz.)
4,5	ED / Q 45 AE	<b>5,25</b>	50

### Schlüter®-QUADEC-AC/EV

angoli esterni/interni 90°  
per QUADEC-MBW/-MGS alluminio

H (mm)	Cod. Art.	CHF / pz	crt. (pz.)
4,5	EV / Q 45 ...**	<b>14,08</b>	50

### Schlüter®-QUADEC-AC/ED

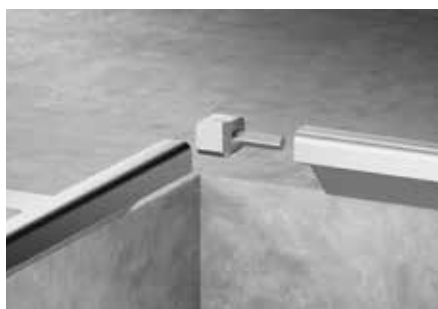
angolo esterno 90°  
per QUADEC-MBW/-MGS metallico decorato

H (mm)	Cod. Art.	CHF / pz	crt. (pz.)
4,5	ED / Q 45 ...**	<b>5,25</b>	50

### Schlüter®-QUADEC-TS/EV

angolo esterno / interno 90°  
alluminio con finitura a rilievo

H (mm)	Cod. Art.	CHF / pz	crt. (pz.)
4,5	EV / Q 45 ...*	<b>14,08</b>	50



**MyDesign by Schlüter-Systems**  
E' possibile personalizzare il colore  
scegliendo tra 190 tonalità  
della gamma RAL Classic.  
Per maggiori dettagli consultare pag. 16.

**Completare il Cod. Art. con finitura/colore (ad es. EV / Q 45 TSBG)**

\* Finiture/colori: TSB - TSBG - TSC - TSDA - TSG - TSI - TSLA - TSOB - TSR - TSSG

\*\* Finiture/colori: MBW - MGS

## Finiture | Colori disponibili



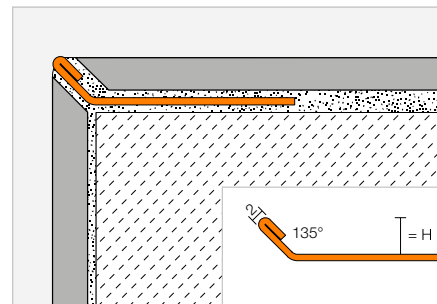
A pagina 340 e segg. è disponibile una panoramica delle finiture e dei colori.

## Profilo di chiusura

**Schlüter®-FINEC-E**


Schlüter-FINEC-E è un profilo di protezione in acciaio inossidabile per i bordi esterni dei rivestimenti in ceramica o mosaici di vetro, in intonachino o per finiture a spatola. La parte a vista del profilo protegge il bordo da danni meccanici formando un'elegante e sottile finitura dell'angolo. FINEC-E in acciaio inossidabile è adatto anche per le scale come protezione tra alzata e pedata, per ceramica ed altri tipi di rivestimento.

(Scheda tecnica 2.17)


**Schlüter®-FINEC-E**

acciaio inossidabile V2A

H (mm)	L = 2,50 m Cod. Art.	CHF / m	cassa (pz.)
4,5	F 45 E	<b>12,37</b>	120
7	F 70 E	<b>14,63</b>	120
9	F 90 E	<b>15,30</b>	120
11	F 110 E	<b>16,26</b>	120
12,5	F 125 E	<b>16,78</b>	120



## Set angoli

**Schlüter®-FINEC-E/ES**

set angoli, acciaio inossidabile V2A

H (mm)	Cod. Art.	CHF / kit	conf. (set)
4,5	ES / F 45 E	<b>42,88</b>	50
7	ES / F 70 E	<b>42,88</b>	50
9	ES / F 90 E	<b>42,88</b>	50
11	ES / F 110 E	<b>42,88</b>	50
12,5	ES / F 125 E	<b>42,88</b>	50


**Nota:**

Il set angoli è composto da tre pezzi, ciascuno lungo 10 cm.





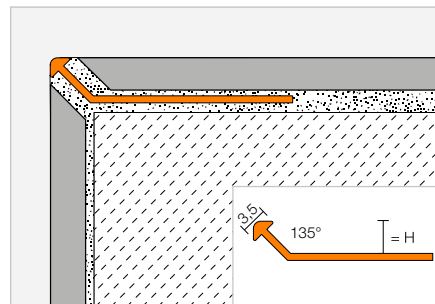
## Profilo di chiusura

### Schlüter®-FINEC-TS



Schlüter-FINEC-TS è un profilo di protezione in alluminio con una speciale finitura a rilievo disponibile in diversi colori per i bordi esterni di rivestimenti in ceramica o di mosaici in vetro, in intonachino o per finiture a spatola. La parte a vista del profilo protegge il bordo da danni meccanici formando un'elegante e sottile finitura dell'angolo.

(Scheda tecnica 2.17)



### Schlüter®-FINEC-MBW

alluminio colorato, bianco matt finitura a rilievo

H (mm)	L = 2,50 m Cod. Art.	CHF / m	cassa (pz.)
2,5	F 25 MBW	<b>8,09</b>	120
4,5	F 45 MBW	<b>8,38</b>	120
7	F 70 MBW	<b>8,83</b>	120
9	F 90 MBW	<b>8,97</b>	120
11	F 110 MBW	<b>9,11</b>	120
12,5	F 125 MBW	<b>9,40</b>	120

### Schlüter®-FINEC-MGS

alluminio colorato, nero matt finitura a rilievo

H (mm)	L = 2,50 m Cod. Art.	CHF / m	cassa (pz.)
—	—	—	—
4,5	F 45 MGS	<b>8,38</b>	120
7	F 70 MGS	<b>8,83</b>	120
9	F 90 MGS	<b>8,97</b>	120
11	F 110 MGS	<b>9,11</b>	120
12,5	F 125 MGS	<b>9,40</b>	120

### Schlüter®-FINEC-TSB

alluminio con finitura a rilievo, beige

H (mm)	L = 2,50 m Cod. Art.	CHF / m	cassa (pz.)
—	—	—	—
4,5	F 45 TSB	<b>16,91</b>	120
7	F 70 TSB	<b>18,17</b>	120
9	F 90 TSB	<b>18,44</b>	120
11	F 110 TSB	<b>19,61</b>	120
12,5	F 125 TSB	<b>20,50</b>	120

### Schlüter®-FINEC-TSBG

alluminio con finitura a rilievo, greige

H (mm)	L = 2,50 m Cod. Art.	CHF / m	cassa (pz.)
4,5	F 45 TSBG	<b>16,91</b>	120
7	F 70 TSBG	<b>18,17</b>	120
9	F 90 TSBG	<b>18,44</b>	120
11	F 110 TSBG	<b>19,61</b>	120
12,5	F 125 TSBG	<b>20,50</b>	120

### Schlüter®-FINEC-TSC

alluminio con finitura a rilievo, sabbia

H (mm)	L = 2,50 m Cod. Art.	CHF / m	cassa (pz.)
4,5	F 45 TSC	<b>16,91</b>	120
7	F 70 TSC	<b>18,17</b>	120
9	F 90 TSC	<b>18,44</b>	120
11	F 110 TSC	<b>19,61</b>	120
12,5	F 125 TSC	<b>20,50</b>	120

### Schlüter®-FINEC-TSDA

alluminio con finitura a rilievo, antracite

H (mm)	L = 2,50 m Cod. Art.	CHF / m	cassa (pz.)
4,5	F 45 TSDA	<b>16,91</b>	120
7	F 70 TSDA	<b>18,17</b>	120
9	F 90 TSDA	<b>18,44</b>	120
11	F 110 TSDA	<b>19,61</b>	120
12,5	F 125 TSDA	<b>20,50</b>	120

### Schlüter®-FINEC-TSG

alluminio con finitura a rilievo, grigio

H (mm)	L = 2,50 m Cod. Art.	CHF / m	cassa (pz.)
4,5	F 45 TSG	<b>16,91</b>	120
7	F 70 TSG	<b>18,17</b>	120
9	F 90 TSG	<b>18,44</b>	120
11	F 110 TSG	<b>19,61</b>	120
12,5	F 125 TSG	<b>20,50</b>	120

### Schlüter®-FINEC-TSI

alluminio con finitura a rilievo, avorio

H (mm)	L = 2,50 m Cod. Art.	CHF / m	cassa (pz.)
4,5	F 45 TSI	<b>16,91</b>	120
7	F 70 TSI	<b>18,17</b>	120
9	F 90 TSI	<b>18,44</b>	120
11	F 110 TSI	<b>19,61</b>	120
12,5	F 125 TSI	<b>20,50</b>	120

### Schlüter®-FINEC-TSLA

alluminio con finitura a rilievo, canna di fucile

H (mm)	L = 2,50 m Cod. Art.	CHF / m	cassa (pz.)
4,5	F 45 TSLA	<b>16,91</b>	120
7	F 70 TSLA	<b>18,17</b>	120
9	F 90 TSLA	<b>18,44</b>	120
11	F 110 TSLA	<b>19,61</b>	120
12,5	F 125 TSLA	<b>20,50</b>	120

### Schlüter®-FINEC-TSOB

alluminio con finitura a rilievo, bronzo

H (mm)	L = 2,50 m Cod. Art.	CHF / m	cassa (pz.)
4,5	F 45 TSOB	<b>16,91</b>	120
7	F 70 TSOB	<b>18,17</b>	120
9	F 90 TSOB	<b>18,44</b>	120
11	F 110 TSOB	<b>19,61</b>	120
12,5	F 125 TSOB	<b>20,50</b>	120

### Schlüter®-FINEC-TSR

alluminio con finitura a rilievo, ruggine

H (mm)	L = 2,50 m Cod. Art.	CHF / m	cassa (pz.)
4,5	F 45 TSR	<b>16,91</b>	120
7	F 70 TSR	<b>18,17</b>	120
9	F 90 TSR	<b>18,44</b>	120
11	F 110 TSR	<b>19,61</b>	120
12,5	F 125 TSR	<b>20,50</b>	120

### Schlüter®-FINEC-TSSG

alluminio con finitura a rilievo, grigio sasso

H (mm)	L = 2,50 m Cod. Art.	CHF / m	cassa (pz.)
4,5	F 45 TSSG	<b>16,91</b>	120
7	F 70 TSSG	<b>18,17</b>	120
9	F 90 TSSG	<b>18,44</b>	120
11	F 110 TSSG	<b>19,61</b>	120
12,5	F 125 TSSG	<b>20,50</b>	120



## Set angoli



### Schlüter®-FINEC-TS/ES

set angoli,  
alluminio colorato

H (mm)	Cod. Art.	CHF / kit	conf. (set)
2,5	ES / F 25 ...**	<b>23,18</b>	50
4,5	ES / F 45 ...***	<b>23,18</b>	50
7	ES / F 70 ...***	<b>23,18</b>	50
9	ES / F 90 ...***	<b>23,18</b>	50
11	ES / F 110 ...***	<b>23,18</b>	50
12,5	ES / F 125 ...***	<b>23,18</b>	50



### Schlüter®-FINEC-TS/ES

set angoli,  
alluminio con finitura a rilievo

H (mm)	Cod. Art.	CHF / kit	conf. (set)
4,5	ES / F 45 ...*	<b>28,31</b>	50
7	ES / F 70 ...*	<b>28,31</b>	50
9	ES / F 90 ...*	<b>28,31</b>	50
11	ES / F 110 ...*	<b>28,31</b>	50
12,5	ES / F 125 ...*	<b>28,31</b>	50

#### Nota:

Il set angoli è composto da tre pezzi, ciascuno lungo 10 cm.

**Completare il Cod. Art. con finitura/colore (ad es. ES / F 25 MBW)**

\* Finiture/colori: TSB - TSBG - TSC - TSDA - TSG - TSI - TSLA - TSOB - TSR - TSSG

\*\* Finiture/colori: MBW

\*\*\* Finiture/colori: MBW - MGS

## Finiture | Colori disponibili



A pagina 340 e segg. è disponibile una panoramica delle finiture e dei colori.

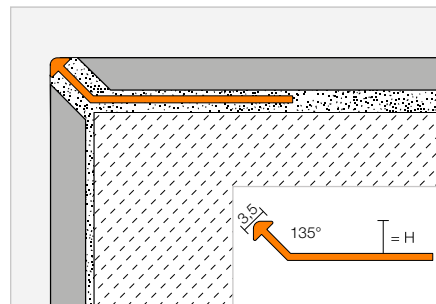


## Profilo di chiusura

### Schlüter®-FINEC-A



Schlüter-FINEC-A è un profilo di protezione in alluminio disponibile con la classica finitura anodizzata ed in diversi colori per i bordi esterni di rivestimenti in ceramica o di mosaici di vetro, in intonachino o per finiture a spatola. La parte a vista del profilo protegge il bordo da danni meccanici formando un'elegante e sottile finitura dell'angolo.  
(Scheda tecnica 2.17)



### Schlüter®-FINEC-AE

alluminio anodizzato

H (mm)	L = 2,50 m Cod. Art.	CHF / m	cassa (pz.)
2,5	F 25 AE	<b>7,50</b>	120
4,5	F 45 AE	<b>7,57</b>	120
7	F 70 AE	<b>7,94</b>	120
9	F 90 AE	<b>8,38</b>	120
11	F 110 AE	<b>9,06</b>	120
12,5	F 125 AE	<b>9,33</b>	120



### Schlüter®-FINEC-AC

alluminio colorato

H (mm)	L = 2,50 m Cod. Art.	CHF / m	cassa (pz.)
2,5	F 25 ...*	<b>8,09</b>	120
4,5	F 45 ...**	<b>8,38</b>	120
7	F 70 ...**	<b>8,83</b>	120
9	F 90 ...**	<b>8,97</b>	120
11	F 110 ...**	<b>9,11</b>	120
12,5	F 125 ...**	<b>9,40</b>	120

## Set angoli

### Schlüter®-FINEC-AE/ES

set angoli,  
alluminio anodizzato

H (mm)	Cod. Art.	CHF / kit	conf. (set)
2,5	ES / F 25 AE	<b>23,18</b>	50
4,5	ES / F 45 AE	<b>23,18</b>	50
7	ES / F 70 AE	<b>23,18</b>	50
9	ES / F 90 AE	<b>23,18</b>	50
11	ES / F 110 AE	<b>23,18</b>	50
12,5	ES / F 125 AE	<b>23,18</b>	50



### Schlüter®-FINEC-AC/ES

set angoli,  
alluminio colorato

H (mm)	Cod. Art.	CHF / kit	conf. (set)
2,5	ES / F 25 ...*	<b>23,18</b>	50
4,5	ES / F 45 ...**	<b>23,18</b>	50
7	ES / F 70 ...**	<b>23,18</b>	50
9	ES / F 90 ...**	<b>23,18</b>	50
11	ES / F 110 ...**	<b>23,18</b>	50
12,5	ES / F 125 ...**	<b>23,18</b>	50

#### Nota:

Il set angoli è composto da tre pezzi, ciascuno lungo 10 cm.

Completare il Cod. Art. con il colore (ad es. ES / F 25 MBW)



\* Colori disponibili: MBW

\*\* Colori disponibili: MBW - MGS

A pagina 340 e segg. è disponibile una panoramica delle finiture e dei colori.

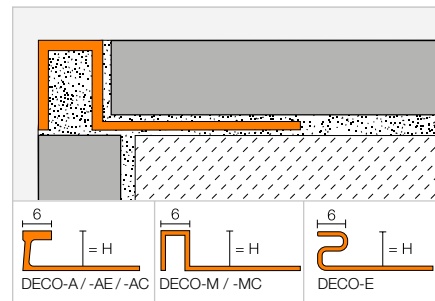


## Profilo di chiusura


**Schlüter®-DECO**


Schlüter-DECO è un profilo con lato a vista fisso di 6 mm per la realizzazione di listelli decorativi nella superficie piastrellata. Schlüter-DECO-M e -MC possono essere anche utilizzati come profili di chiusura in particolare modo come chiusura superiore "a boiserie". Schlüter-DECO in alluminio, ottone o acciaio possono essere inseriti anche a pavimento.

(Scheda tecnica 1.6)


**Schlüter®-DECO-E**

acciaio inossidabile V2A

H (mm)	L = 2,50 m Cod. Art.	CHF / m	cassa (pz.)
8	E 80 D	<b>18,58</b>	120
9	E 90 D	<b>18,86</b>	120
10	E 100 D	<b>19,12</b>	120
11	E 110 D	<b>19,38</b>	120
12,5	E 125 D	<b>19,81</b>	120
14	E 140 D	<b>20,14</b>	120
16	E 160 D	<b>20,81</b>	120
18,5	E 185 D	<b>21,45</b>	120
21	E 210 D	<b>22,11</b>	120
25	E 250 D	<b>23,30</b>	120
30	E 300 D	<b>24,69</b>	120

**Schlüter®-DECO-MC**

ottone cromato

H (mm)	L = 2,50 m Cod. Art.	CHF / m	cassa (pz.)
9	MC 90 D	<b>43,57</b>	120
11	MC 110 D	<b>44,92</b>	120
12,5	MC 125 D	<b>45,72</b>	120

**Schlüter®-DECO-M**

ottone

H (mm)	L = 2,50 m Cod. Art.	CHF / m	cassa (pz.)
9	M 90 D	<b>19,91</b>	120
11	M 110 D	<b>20,75</b>	120
12,5	M 125 D	<b>21,92</b>	120

**MyDesign by Schlüter-Systems**  
 E' possibile personalizzare il colore scegliendo tra 190 tonalità della gamma RAL Classic.  
 Per maggiori dettagli consultare pag. 16.

**Schlüter®-DECO-A**

alluminio

H (mm)	L = 2,50 m Cod. Art.	CHF / m	cassa (pz.)
8	A 80 D	<b>7,66</b>	120
10	A 100 D	<b>8,15</b>	120
12,5	A 125 D	<b>8,76</b>	120

**Schlüter®-DECO-AE**

alluminio anodizzato

H (mm)	L = 2,50 m Cod. Art.	CHF / m	cassa (pz.)
8	AE 80 D	<b>10,05</b>	120
10	AE 100 D	<b>10,84</b>	120
12,5	AE 125 D	<b>11,62</b>	120

**Schlüter®-DECO-AC**

alluminio colorato

H (mm)	L = 2,50 m Cod. Art.	CHF / m	cassa (pz.)
8	...* 80 D	<b>11,99</b>	120
10	...* 100 D	<b>12,98</b>	120
12,5	...* 125 D	<b>13,95</b>	120

## Angolo

**Schlüter®-DECO-MC/EV**

 angolo esterno 90°  
 ottone cromato

H (mm)	Cod. Art.	CHF / pz	crt. (pz.)
9	EV / MC 90 D	<b>24,14</b>	50
11	EV / MC 110 D	<b>24,14</b>	50
12,5	EV / MC 125 D	<b>24,14</b>	50



Schlüter-DECO-MC/EV



Completare il Cod. Art. con il colore (ad es. MGS 80 D)



\* Colori disponibili: BW - MBW - MGS

A pagina 340 e segg. è disponibile una panoramica delle finiture e dei colori.

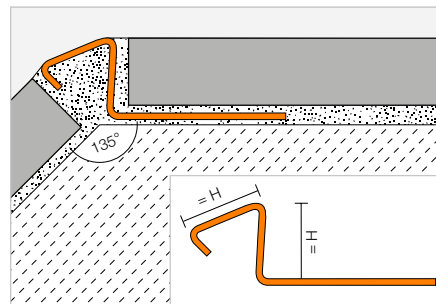


## Profilo di chiusura

### Schlüter®-DECO-DE



Schlüter-DECO-DE è un profilo di chiusura in acciaio inossidabile per la protezione di angoli esterni a 135° di pareti rivestite in ceramica. (Scheda tecnica 2.14)



#### Schlüter®-DECO-DE-E-S

acciaio inossidabile V2A

H (mm)	L = 2,50 m Cod. Art.	CHF / m	cassa (pz.)
8	DE 80 ES	19,75	120
10	DE 100 ES	20,40	120
11	DE 110 ES	20,92	120
12,5	DE 125 ES	21,60	120

#### Schlüter®-DECO-DE-EB-S

acciaio inossidabile V2A spazzolato

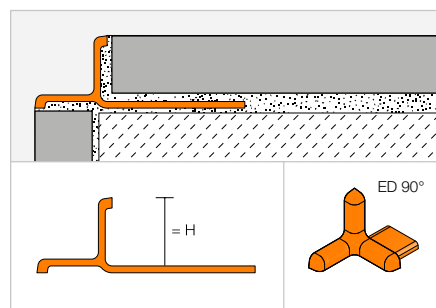
H (mm)	L = 2,50 m Cod. Art.	CHF / m	cassa (pz.)
8	DE 80 EBS	25,28	120
10	DE 100 EBS	26,09	120
11	DE 110 EBS	26,67	120
12,5	DE 125 EBS	27,59	120

## Profilo di chiusura

### Schlüter®-INDEC



Schlüter-INDEC è un profilo di chiusura in alluminio anodizzato per angoli esterni e per bordi superiori a "boiserie" di pareti rivestite in ceramica. L'area a vista del profilo forma una decorativa scanalatura. (Scheda tecnica 2.12)



#### Schlüter®-INDEC-AE

alluminio anodizzato

H (mm)	L = 2,50 m Cod. Art.	CHF / m	cassa (pz.)
8	IN 80 AE	12,17	120
10	IN 100 AE	12,71	120
11	IN 110 AE	14,67	120
12,5	IN 125 AE	15,17	120

#### Schlüter®-INDEC-ACG

alluminio anodizzato effetto cromato lucido

H (mm)	L = 2,50 m Cod. Art.	CHF / m	cassa (pz.)
8	IN 80 ACG	21,48	120
10	IN 100 ACG	22,13	120
11	IN 110 ACG	23,20	120
12,5	IN 125 ACG	24,24	120



## Angolo

### Schlüter®-INDEC/EV

angolo esterno 90°

H (mm)	Cod. Art.	CHF / pz	crt. (pz.)
8	ED / IN 80 ...*	5,51	50
10	ED / IN 100 ...*	5,51	50
11	ED / IN 110 ...*	5,51	50
12,5	ED / IN 125 ...*	5,51	50

Completare il Cod. Art. con il tipo di finitura (ad es. ED / IN 80 AE)

\* Finiture: ACG - AE

A pagina 340 e segg. è disponibile una panoramica delle finiture e dei colori.

# Profili ad angolo Schlüter

## Una soluzione sicura per raccordi ed angoli

Nelle pagine seguenti trovate indicazioni per l'installazione e l'utilizzo dei nostri profili.

- ✓ Profili per ambienti privati e commerciali
- ✓ Profili per angoli esterni ed interni
- ✓ Protezione dei bordi decorativi per piani lavandino e di lavoro
- ✓ Profili decorativi per rivestimenti

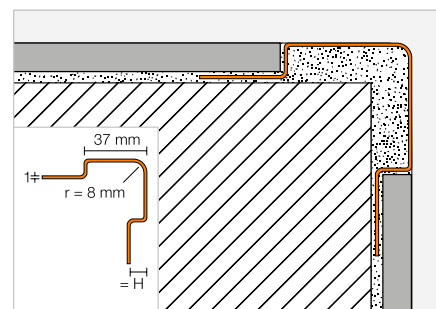


### Profilo ad angolo

#### Schlüter®-ECK-E



Schlüter-ECK-E è uno speciale profilo angolare in acciaio inossidabile particolarmente adatto per la protezione degli spigoli dei rivestimenti in ceramica. Entrambe le alette traforate vengono ricoperte dalla piastrella. (Scheda tecnica 2.6)



#### Schlüter®-ECK-E

acciaio inossidabile V2A

H (mm)	L = 3,00 m Cod. Art.	CHF / m	cassa (pz.)
6	E37 V2A 60/300	<b>41,10</b>	60
8	E37 V2A 80/300	<b>42,70</b>	60
11	E37 V2A 110/300	<b>44,50</b>	60
	<b>L = 2,50 m</b>		
6	E37 V2A 60/250	<b>41,10</b>	60
8	E37 V2A 80/250	<b>42,70</b>	60
11	E37 V2A 110/250	<b>44,50</b>	60
	<b>L = 2,00 m</b>		
6	E37 V2A 60/200	<b>41,10</b>	60
8	E37 V2A 80/200	<b>42,70</b>	60
11	E37 V2A 110/200	<b>44,50</b>	60
	<b>L = 1,50 m</b>		
6	E37 V2A 60/150	<b>41,10</b>	60
8	E37 V2A 80/150	<b>42,70</b>	60
11	E37 V2A 110/150	<b>44,50</b>	60

#### Schlüter®-ECK-EB

acciaio inossidabile V2A spazzolato

H (mm)	L = 3,00 m Cod. Art.	CHF / m	cassa (pz.)
6	E37 V2A EB 60/300	<b>53,45</b>	60
8	E37 V2A EB 80/300	<b>55,56</b>	60
11	E37 V2A EB 110/300	<b>57,89</b>	60
	<b>L = 2,50 m</b>		
6	E37 V2A EB 60/250	<b>53,45</b>	60
8	E37 V2A EB 80/250	<b>55,56</b>	60
11	E37 V2A EB 110/250	<b>57,89</b>	60
	<b>L = 2,00 m</b>		
6	E37 V2A EB 60/200	<b>53,45</b>	60
8	E37 V2A EB 80/200	<b>55,56</b>	60
11	E37 V2A EB 110/200	<b>57,89</b>	60
	<b>L = 1,50 m</b>		
6	E37 V2A EB 60/150	<b>53,45</b>	60
8	E37 V2A EB 80/150	<b>55,56</b>	60
11	E37 V2A EB 110/150	<b>57,89</b>	60

#### Schlüter®-ECK-E V4A

acciaio inossidabile V4A

H (mm)	L = 3,00 m Cod. Art.	CHF / m	cassa (pz.)
8	E37 V4A 80/300	<b>47,00</b>	60
11	E37 V4A 110/300	<b>48,96</b>	60
	<b>L = 2,50 m</b>		
8	E37 V4A 80/250	<b>47,00</b>	60
11	E37 V4A 110/250	<b>48,96</b>	60
	<b>L = 2,00 m</b>		
8	E37 V4A 80/200	<b>47,00</b>	60
11	E37 V4A 110/200	<b>48,96</b>	60
	<b>L = 1,50 m</b>		
8	E37 V4A 80/150	<b>47,00</b>	60
11	E37 V4A 110/150	<b>48,96</b>	60



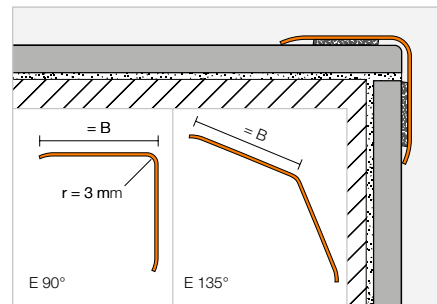
## Profilo ad angolo

### Schlüter®-ECK-K



Schlüter-ECK-K è uno speciale profilo angolare in acciaio inossidabile particolarmente adatto per la protezione degli spigoli esterni dei rivestimenti in ceramica, da applicarsi a posa ultimata.

(Scheda tecnica 2.7)



### Schlüter®-ECK-K-E

acciaio inossidabile V2A

B (mm)	L = 3,00 m Cod. Art.	CHF / m	cassa (pz.)
15	K15 V2A/300	<b>28,41</b>	60
32	K32 V2A/300	<b>41,47</b>	60
50	K50 V2A/300	<b>53,34</b>	60
	<b>L = 2,50 m</b>		
15	K15 V2A/250	<b>28,41</b>	60
32	K32 V2A/250	<b>41,47</b>	60
50	K50 V2A/250	<b>53,34</b>	60
	<b>L = 2,00 m</b>		
15	K15 V2A/200	<b>28,41</b>	60
32	K32 V2A/200	<b>41,47</b>	60
50	K50 V2A/200	<b>53,34</b>	60
	<b>L = 1,50 m</b>		
15	K15 V2A/150	<b>28,41</b>	60
32	K32 V2A/150	<b>41,47</b>	60
50	K50 V2A/150	<b>53,34</b>	60

### Schlüter®-ECK-K-EB

acciaio inossidabile V2A spazzolato

B (mm)	L = 3,00 m Cod. Art.	CHF / m	cassa (pz.)
15	K15 V2A EB/300	<b>36,92</b>	60
32	K32 V2A EB/300	<b>53,93</b>	60
50	K50 V2A EB/300	<b>69,35</b>	60
	<b>L = 2,50 m</b>		
15	K15 V2A EB/250	<b>36,92</b>	60
32	K32 V2A EB/250	<b>53,93</b>	60
50	K50 V2A EB/250	<b>69,35</b>	60
	<b>L = 2,00 m</b>		
15	K15 V2A EB/200	<b>36,92</b>	60
32	K32 V2A EB/200	<b>53,93</b>	60
50	K50 V2A EB/200	<b>69,35</b>	60
	<b>L = 1,50 m</b>		
15	K15 V2A EB/150	<b>36,92</b>	60
32	K32 V2A EB/150	<b>53,93</b>	60
50	K50 V2A EB/150	<b>69,35</b>	60

### Schlüter®-ECK-K-E V4A

acciaio inossidabile V4A

B (mm)	L = 2,50 m Cod. Art.	CHF / m	cassa (pz.)
32	K32 V4A/250	<b>45,62</b>	60
	<b>L = 2,00 m</b>		
32	K32 V4A/200	<b>45,62</b>	60
	<b>L = 1,50 m</b>		
32	K32 V4A/150	<b>45,62</b>	60

### Schlüter®-ECK-K-E-S

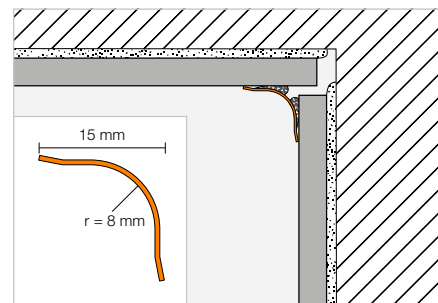
acciaio inossidabile V2A, angolo 135°

B (mm)	L = 3,00 m Cod. Art.	CHF / m	cassa (pz.)
32	K32 ES/300	<b>40,53</b>	60
	<b>L = 2,50 m</b>		
32	K32 ES	<b>40,53</b>	60
	<b>L = 2,00 m</b>		
32	K32 ES/200	<b>40,53</b>	60
	<b>L = 1,50 m</b>		
32	K32 ES/150	<b>40,53</b>	60

## Profilo a sguscia per angoli interni

**Schlüter®-ECK-KHK**


Schlüter-ECK-KHK è una sguscia in acciaio inossidabile da applicare a posa ultimata negli angoli interni dei rivestimenti ceramici, sia tra pareti adiacenti, che tra pavimento e parete. (Scheda tecnica 2.7)


**Schlüter®-ECK-KHK-E**

acciaio inossidabile V2A

B (mm)	L = 3,00 m Cod. Art.	CHF / m	cassa (pz.)
15	KHK15 E/300	28,41	60
	L = 2,50 m		
15	KHK15 E	28,41	60
	L = 2,00 m		
15	KHK15 E/200	28,41	60
	L = 1,50 m		
15	KHK15 E/150	28,41	60

**Schlüter®-ECK-KHK-EB**

acciaio inossidabile V2A spazzolato

B (mm)	L = 3,00 m Cod. Art.	CHF / m	cassa (pz.)
15	KHK15 EB/300	36,92	60
	L = 2,50 m		
15	KHK15 EB	36,92	60
	L = 2,00 m		
15	KHK15 EB/200	36,92	60
	L = 1,50 m		
15	KHK15 EB/150	36,92	60

## Angolo | Innesto

**Schlüter®-ECK-KHK-E/E**

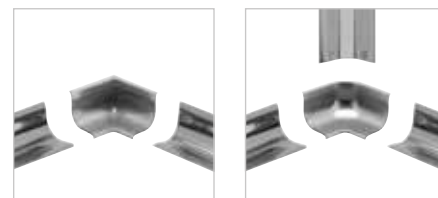
 angolo esterno 90°  
acciaio inossidabile V2A

Cod. Art.	CHF / pz	crt. (pz.)
E / KHK15 E	9,42	50

**Schlüter®-ECK-KHK-EB/E**

 angolo esterno 90°  
acciaio inossidabile V2A spazzolato

Cod. Art.	CHF / pz	crt. (pz.)
E / KHK15 EB	10,34	50



I2 = 2 vie

I3 = 3 vie

**Schlüter®-ECK-KHK-E/I**

 angolo interno 90°  
acciaio inossidabile V2A

Cod. Art.	CHF / pz	crt. (pz.)
I/2 KHK15 E	9,42	50
I/3 KHK15 E	9,42	50

**Schlüter®-ECK-KHK-EB/I**

 angolo interno 90°  
acciaio inossidabile V2A spazzolato

Cod. Art.	CHF / pz	crt. (pz.)
I/2 KHK15 EB	10,34	50
I/3 KHK15 EB	10,34	50

**Schlüter®-ECK-KHK-E/V**

innesto acciaio inossidabile V2A

Cod. Art.	CHF / pz	crt. (pz.)
V / KHK15 E	9,42	50

**Schlüter®-ECK-KHK-EB/V**

innesto acciaio inossidabile V2A spazzolato

Cod. Art.	CHF / pz	crt. (pz.)
V / KHK15 EB	10,34	50



E / KHK I/2 KHK I/3 KHK V / KHK

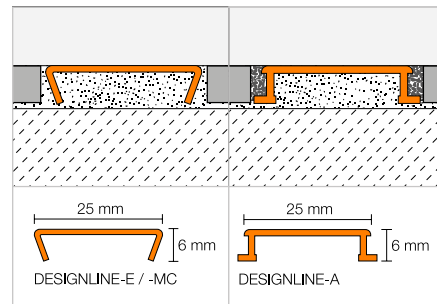


## Profilo decorativo

### Schlüter®-DESIGNLINE



Schlüter-DESIGNLINE è un listello decorativo per rivestimenti in ceramica. La gamma di finiture di questi listelli si combina con quella dei profili Schlüter-RONDEC/-QUADEC o JOLLY. (Scheda tecnica 2.2)



#### Schlüter®-DESIGNLINE-MC

ottone cromato

L = 2,50 m Cod. Art.	CHF / m	cassa (pz.)
DL 625 MC	41,28	120

#### Schlüter®-DESIGNLINE-E

acciaio inossidabile V2A

L = 2,50 m Cod. Art.	CHF / m	cassa (pz.)
DL 625 E	29,33	120

#### Schlüter®-DESIGNLINE-EB

acciaio inossidabile V2A spazzolato

L = 2,50 m Cod. Art.	CHF / m	cassa (pz.)
DL 625 EB	33,76	120

#### Schlüter®-DESIGNLINE-AME

alluminio anodizzato

L = 2,50 m Cod. Art.	CHF / m	cassa (pz.)
DL 625 ...*	14,42	120

#### Schlüter®-DESIGNLINE-AGE

alluminio anodizzato lucido

L = 2,50 m Cod. Art.	CHF / m	cassa (pz.)
DL 625 ...**	26,63	120

#### Schlüter®-DESIGNLINE-AGBE

alluminio anodizzato spazzolato

L = 2,50 m Cod. Art.	CHF / m	cassa (pz.)
DL 625 ...***	28,03	120

#### Schlüter®-DESIGNLINE-AC

alluminio colorato

L = 2,50 m Cod. Art.	CHF / m	cassa (pz.)
DL 625 ...****	16,72	120



#### Completare il Cod. Art. con finitura/colore (ad es. DL 625 MBW)

\* Finiture/colori: AE - AK - AM - AT

\*\* Finiture/colori: ACG - AKG - AMG - ATG

\*\*\* Finiture/colori: ACGB - AKGB - AMGB - ATGB

\*\*\*\* Finiture/colori: BW - MBW - MGS

A pagina 340 e segg. è disponibile una panoramica delle finiture e dei colori.

#### Nota:

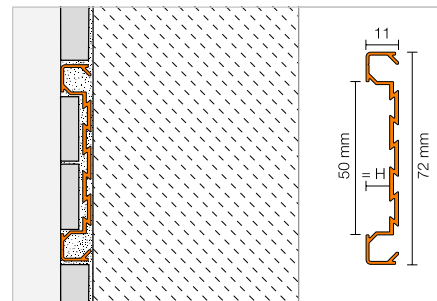
Schlüter-DESIGNLINE è perfettamente abbinabile con i corrispondenti codici di finitura dei profili delle serie RONDEC, -QUADEC e JOLLY.



## Profilo decorativo

**Schlüter®-QUADEC-FS**


Schlüter-QUADEC-FS è un profilo doppio con funzione decorativa, realizzato in modo da potervi inserire bordure o fasce in ceramica. (Scheda tecnica 2.11)


**Schlüter®-QUADEC-FS**

alluminio anodizzato

H (mm)	L = 2,50 m Cod. Art.	CHF / m	cassa (pz.)
8	QF 8/50 ...*	50,68	120

## Angolo

**Schlüter®-QUADEC-FS/E**

angolo esterno / interno 90°

H (mm)	Cod. Art.	CHF / pz	crt. (pz.)
8	EV / QF 8/50 ...*	35,50	50



Gli angoli possono essere utilizzati sia come angoli interni che esterni.

**Completare il Cod. Art. con il tipo di finitura (ad es. EV / QF 8/50 AT)**

\* Finiture: AE - AT

A pagina 340 e segg. è disponibile una panoramica delle finiture e dei colori.

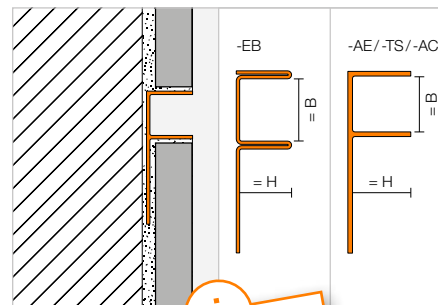


## Profilo di alloggiamento

### Schlüter®-DECO-SG



Schlüter-DECO-SG è un profilo che crea una sede di larghezza 12 o 15 mm in una superficie piastrellata per l'inserimento di elementi in vetro nel pavimento o nel rivestimento. Il profilo può essere inoltre utilizzato per creare una decorativa fuga ad ombra.  
(Scheda tecnica 2.16)



**i**  
Ora disponibili nei colori TRENDLINE!

#### Schlüter®-DECO-SG-EB

acciaio inossidabile V4A spazzolato, B = 12 mm

H (mm)	L = 2,50 m Cod. Art.	CHF / m	cassa (pz.)
8	SG 80 EB 12	<b>57,90</b>	120
10	SG 100 EB 12	<b>60,79</b>	120
11	SG 110 EB 12	<b>63,69</b>	120
12,5	SG 125 EB 12	<b>66,58</b>	120

#### Schlüter®-DECO-SG-EB

acciaio inossidabile V4A spazzolato, B = 15 mm

H (mm)	L = 2,50 m Cod. Art.	CHF / m	cassa (pz.)
8	SG 80 EB 15	<b>62,25</b>	120
10	SG 100 EB 15	<b>65,15</b>	120
11	SG 110 EB 15	<b>68,04</b>	120
12,5	SG 125 EB 15	<b>70,93</b>	120

#### Schlüter®-DECO-SG-AE

alluminio anodizzato, B = 12 mm

H (mm)	L = 2,50 m Cod. Art.	CHF / m	cassa (pz.)
8	SG 80 AE 12	<b>20,68</b>	120
10	SG 100 AE 12	<b>21,23</b>	120
11	SG 110 AE 12	<b>21,74</b>	120
12,5	SG 125 AE 12	<b>22,28</b>	120

#### Schlüter®-DECO-SG-AE

alluminio anodizzato, B = 15 mm

H (mm)	L = 2,50 m Cod. Art.	CHF / m	cassa (pz.)
8	SG 80 AE 15	<b>23,94</b>	120
10	SG 100 AE 15	<b>24,29</b>	120
11	SG 110 AE 15	<b>25,14</b>	120
12,5	SG 125 AE 15	<b>25,70</b>	120

#### Schlüter®-DECO-SG-AC

alluminio colorato, B = 12 mm

H (mm)	L = 2,50 m Cod. Art.	CHF / m	cassa (pz.)
8	SG 80 ...* 12	<b>24,22</b>	120
10	SG 100 ...* 12	<b>24,80</b>	120
11	SG 110 ...* 12	<b>25,37</b>	120
12,5	SG 125 ...* 12	<b>25,94</b>	120

#### Schlüter®-DECO-SG-AC

alluminio colorato, B = 15 mm

H (mm)	L = 2,50 m Cod. Art.	CHF / m	cassa (pz.)
8	SG 80 ...* 15	<b>28,25</b>	120
10	SG 100 ...* 15	<b>28,83</b>	120
11	SG 110 ...* 15	<b>29,41</b>	120
12,5	SG 125 ...* 15	<b>29,98</b>	120

**MyDesign by Schlüter-Systems**  
E' possibile personalizzare il colore scegliendo tra 190 tonalità della gamma RAL Classic.  
Per maggiori dettagli consultare pag. 16.

#### Schlüter®-DECO-SG-TS

alluminio con finitura a rilievo, B = 12 mm

H (mm)	L = 2,50 m Cod. Art.	CHF / m	cassa (pz.)
8	SG 80 ...** 12	<b>29,07</b>	120
10	SG 100 ...** 12	<b>29,75</b>	120
11	SG 110 ...** 12	<b>30,44</b>	120
12,5	SG 125 ...** 12	<b>31,13</b>	120

#### Schlüter®-DECO-SG-TS

alluminio con finitura a rilievo, B = 15 mm

H (mm)	L = 2,50 m Cod. Art.	CHF / m	cassa (pz.)
8	SG 80 ...** 15	<b>33,90</b>	120
10	SG 100 ...** 15	<b>34,60</b>	120
11	SG 110 ...** 15	<b>35,29</b>	120
12,5	SG 125 ...** 15	<b>35,98</b>	120



Completare il Cod. Art. con il colore (ad es. SG 80 TS0B 15)

\* Colori disponibili: MBW - MGS

\*\* Colori disponibili: TSBG - TSC - TSDA - TSG - TSI - TSOB - TSSG

## Finiture | Colori disponibili

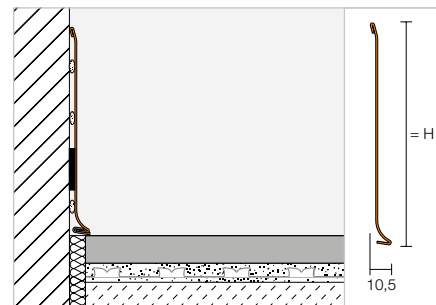


A pagina 340 e segg. è disponibile una panoramica delle finiture e dei colori.

## Profilo per battiscopa

**Schlüter®-DESIGNBASE-SL-E**


Schlüter-DESIGNBASE-SL-E è un profilo in acciaio inossidabile di alta qualità, per la facile realizzazione di un battiscopa in aree soggette a sollecitazioni importanti. Il profilo viene fissato con colla idonea alla parete. Anche gli accessori sono in vero acciaio inossidabile e sono di facile e rapida installazione. A scelta, il profilo può essere integrato con un labbro di sigillatura disponibile come accessorio. L'integrazione del labbro protegge il perimetro da infiltrazioni di umidità ed interrompe la trasmissione di rumore da calpestio.



(Scheda tecnica 16.2)

**Schlüter®-DESIGNBASE-SL-EB**

acciaio inossidabile V2A spazzolato

H (mm)	L = 2,50 m Cod. Art.	CHF / m	cassa (pz.)
110	DB SL 110 EB	<b>52,11</b>	60
160	DB SL 160 EB	<b>65,15</b>	60

## Angolo | Terminale | Innesto | Labbro sigillante

**Schlüter®-DESIGNBASE-SL-EB/E 90°**

angolo esterno 90°  
acciaio inossidabile V2A spazzolato

H (mm)	Cod. Art.	CHF / pz	crt. (pz.)
110	E 90 / DB SL 110 EB	<b>50,67</b>	50
160	E 90 / DB SL 160 EB	<b>53,57</b>	50


**Schlüter®-DESIGNBASE-SL-EB/I 90°**

angolo interno 90°  
acciaio inossidabile V2A spazzolato

H (mm)	Cod. Art.	CHF / pz	crt. (pz.)
110	I 90 / DB SL 110 EB	<b>50,67</b>	50
160	I 90 / DB SL 160 EB	<b>53,57</b>	50

**Schlüter®-DESIGNBASE-SL-EB/EK**

terminale sinistro  
in acciaio inossidabile V2A spazzolato

H (mm)	Cod. Art.	CHF / pz	crt. (pz.)
110	EL / DB SL 110 EB	<b>36,19</b>	50
160	EL / DB SL 160 EB	<b>37,65</b>	50


**Schlüter®-DESIGNBASE-SL-EB/EK**

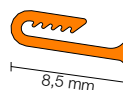
terminale destro  
in acciaio inossidabile V2A spazzolato

H (mm)	Cod. Art.	CHF / pz	crt. (pz.)
110	ER / DB SL 110 EB	<b>36,19</b>	50
160	ER / DB SL 160 EB	<b>37,65</b>	50

**Schlüter®-DESIGNBASE-SL-EB**

innesto  
acciaio inossidabile V2A spazzolato

H (mm)	Cod. Art.	CHF / pz	crt. (pz.)
110	V / DB SL 110 EB	<b>21,73</b>	50
160	V / DB SL 160 EB	<b>23,17</b>	50


**Schlüter®-DESIGNBASE-SL/ZS**

labbro sigillante

L = 2,50 m Cod. Art.	CHF / m	cassa (pz.)
DB ZS LLE	<b>6,51</b>	60

**Colore:**

DB ZS LLE = grigio chiaro



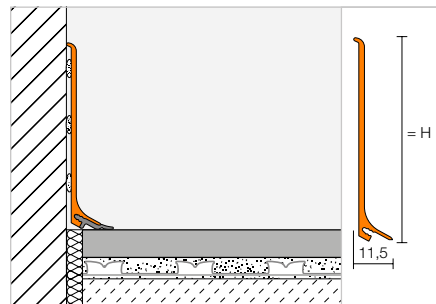


## Profilo per battiscopa

### Schlüter®-DESIGNBASE-SL-A



Schlüter-DESIGNBASE-SL-A è un profilo in alluminio anodizzato o alluminio colorato per realizzare un elegante battiscopa. Il profilo viene fissato alla parete con colla idonea. A scelta, il profilo può essere integrato con un labbro di sigillatura disponibile come accessorio. L'integrazione del labbro protegge il perimetro da infiltrazioni di umidità ed interrompe la trasmissione di rumore da calpestio. (Scheda tecnica 16.2)



#### Schlüter®-DESIGNBASE-SL-AE

alluminio anodizzato

H (mm)	L = 2,50 m Cod. Art.	CHF / m	cassa (pz.)
60	DB SL 60 AE	<b>16,32</b>	60
80	DB SL 80 AE	<b>20,76</b>	60

#### Schlüter®-DESIGNBASE-SL-AEEB

alluminio anodizzato  
effetto acciaio inossidabile spazzolato

H (mm)	L = 2,50 m Cod. Art.	CHF / m	cassa (pz.)
60	DB SL 60 AEEB	<b>28,18</b>	60
80	DB SL 80 AEEB	<b>36,33</b>	60

#### Schlüter®-DESIGNBASE-SL-AC

alluminio colorato

H (mm)	L = 2,50 m Cod. Art.	CHF / m	cassa (pz.)
60	DB SL 60 MBW	<b>21,49</b>	60
80	DB SL 80 MBW	<b>26,68</b>	60

## Angolo | Terminale | Innesto | Labbro sigillante

#### Schlüter®-DESIGNBASE-SL-AE/ED

angolo esterno 90°  
alluminio anodizzato

H (mm)	Cod. Art.	CHF / pz	crt. (pz.)
60	ED / DB SL 60 AE	<b>14,84</b>	50
80	ED / DB SL 80 AE	<b>14,84</b>	50

#### Schlüter®-DESIGNBASE-SL-AEEB/ED

angolo esterno 90° alluminio anodizzato  
effetto acciaio inossidabile spazzolato

H (mm)	Cod. Art.	CHF / pz	crt. (pz.)
60	ED / DB SL 60 AEEB	<b>14,84</b>	50
80	ED / DB SL 80 AEEB	<b>14,84</b>	50

#### Schlüter®-DESIGNBASE-SL-AC/ED

angolo esterno 90°  
alluminio colorato

H (mm)	Cod. Art.	CHF / pz	crt. (pz.)
60	ED / DB SL 60 MBW	<b>14,84</b>	50
80	ED / DB SL 80 MBW	<b>14,84</b>	50

#### Schlüter®-DESIGNBASE-SL-AE/ID

angolo interno 90°  
alluminio anodizzato

H (mm)	Cod. Art.	CHF / pz	crt. (pz.)
60	ID / DB SL 60 AE	<b>14,84</b>	50
80	ID / DB SL 80 AE	<b>14,84</b>	50

#### Schlüter®-DESIGNBASE-SL-AEEB/ID

angolo interno 90°  
alluminio anodizzato effetto acciaio inossidabile

H (mm)	Cod. Art.	CHF / pz	crt. (pz.)
60	ID / DB SL 60 AEEB	<b>14,84</b>	50
80	ID / DB SL 80 AEEB	<b>14,84</b>	50

#### Schlüter®-DESIGNBASE-SL-AC/ID

angolo interno 90°  
alluminio colorato

H (mm)	Cod. Art.	CHF / pz	crt. (pz.)
60	ID / DB SL 60 MBW	<b>14,84</b>	50
80	ID / DB SL 80 MBW	<b>14,84</b>	50

#### Nota:

Per motivi tecnici gli angoli interni (ID / DB SL 60 AEEB e ID / DB SL 80 AEEB) non sono disponibili nella finitura spazzolata.

#### Schlüter®-DESIGNBASE-SL-AE/EK

terminale sinistro alluminio anodizzato

H (mm)	Cod. Art.	CHF / pz	crt. (pz.)
60	EL / DB SL 60 AE	<b>14,84</b>	50
80	EL / DB SL 80 AE	<b>14,84</b>	50

#### Schlüter®-DESIGNBASE-SL-AEEB/EK

terminale sinistro alluminio anodizzato  
effetto acciaio inossidabile spazzolato

H (mm)	Cod. Art.	CHF / pz	crt. (pz.)
60	EL / DB SL 60 AEEB	<b>14,84</b>	50
80	EL / DB SL 80 AEEB	<b>14,84</b>	50

#### Schlüter®-DESIGNBASE-SL-AC/EK

terminale sinistro alluminio colorato

H (mm)	Cod. Art.	CHF / pz	crt. (pz.)
60	EL / DB SL 60 MBW	<b>14,84</b>	50
80	EL / DB SL 80 MBW	<b>14,84</b>	50

#### Schlüter®-DESIGNBASE-SL-AE/EK

terminale destro alluminio anodizzato

H (mm)	Cod. Art.	CHF / pz	crt. (pz.)
60	ER / DB SL 60 AE	<b>14,84</b>	50
80	ER / DB SL 80 AE	<b>14,84</b>	50

#### Schlüter®-DESIGNBASE-SL-AEEB/EK

terminale destro alluminio anodizzato  
effetto acciaio inossidabile spazzolato

H (mm)	Cod. Art.	CHF / pz	crt. (pz.)
60	ER / DB SL 60 AEEB	<b>14,84</b>	50
80	ER / DB SL 80 AEEB	<b>14,84</b>	50

#### Schlüter®-DESIGNBASE-SL-AC/EK

terminale destro alluminio colorato

H (mm)	Cod. Art.	CHF / pz	crt. (pz.)
60	ER / DB SL 60 MBW	<b>14,84</b>	50
80	ER / DB SL 80 MBW	<b>14,84</b>	50

**Schlüter®-DESIGNBASE-SL-AE/V**

innesto alluminio anodizzato

H (mm)	Cod. Art.	CHF / pz	crt. (pz.)
60	V / DB SL 60 AE	<b>14,84</b>	50
80	V / DB SL 80 AE	<b>14,84</b>	50

**Schlüter®-DESIGNBASE-SL-AEEB/V**

 innesto alluminio anodizzato  
 effetto acciaio inossidabile spazzolato

H (mm)	Cod. Art.	CHF / pz	crt. (pz.)
60	V / DB SL 60 AEEB	<b>14,84</b>	50
80	V / DB SL 80 AEEB	<b>14,84</b>	50

**Schlüter®-DESIGNBASE-SL-AC/V**

innesto alluminio colorato

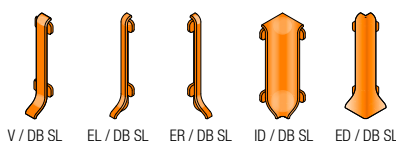
H (mm)	Cod. Art.	CHF / pz	crt. (pz.)
60	V / DB SL 60 MBW	<b>14,84</b>	50
80	V / DB SL 80 MBW	<b>14,84</b>	50

**Colorazioni disponibili:**

MBW

Colori disponibili: MBW

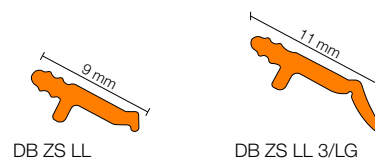
A pagina 340 e segg. è disponibile una panoramica delle finiture e dei colori.


**Schlüter®-DESIGNBASE-SL/ZS**

labbro sigillante

L = 2,50 m Cod. Art.	CHF / m	cassa (pz.)
DB ZS LL	<b>5,85</b>	60
DB ZS LL 3/LG	<b>7,27</b>	60

**Colori disponibili:**

 DB ZS LL = grigio chiaro  
 DB ZS LL 3/LG = grigio chiaro

**Nota:**

La maggiore sporgenza del labbro DB ZS LL3/LG permette di compensare abbassamenti di maggiore entità del massetto negli edifici di nuova costruzione.


**Nota:**

Schlüter-DESIGNBASE-SL-A può essere curvato con l'utilizzo della ns. piegatrice Schlüter-RUMA. Per ulteriori dettagli sui materiali ed i raggi di curvatura Vi preghiamo di contattarci. Battiscopa con illuminazione a LED realizzato con Schlüter-DESIGNBASE-QD, vedi Listino Prezzi LT (LIPROTEC).



## Profilo per battiscopa

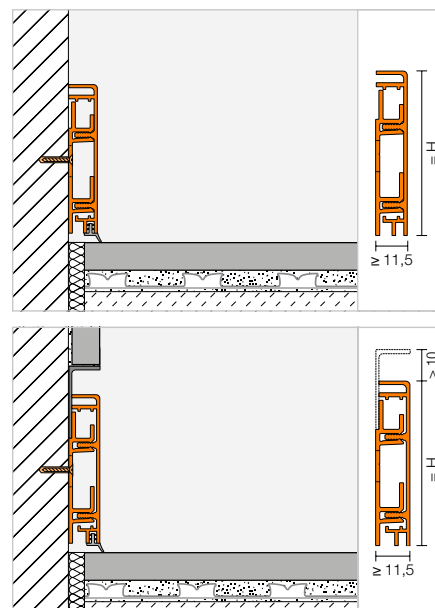
### Schlüter®-DESIGNBASE-CQ



Schlüter-DESIGNBASE-CQ/O

Schlüter-DESIGNBASE-CQ è un profilo, disponibile in pregiato alluminio verniciato a polvere oppure in alluminio anodizzato, per realizzare un battiscopa elegante e funzionale. I canali integrati nel profilo di fissaggio in PVC, regolabili in altezza, possono essere utilizzati per il passaggio nascosto di cavi. I pezzi speciali "uscita cavo" sono disponibili come accessori. Il profilo ad L, disponibile come accessorio, permette di realizzare un'installazione a filo parete con inserimento di una decorativa fuga ad ombra tra battiscopa e rivestimento. Inoltre, il profilo può essere corredato da un labbro sigillante, disponibile sempre come accessorio, per evitare l'infiltrazione d'umidità tra battiscopa e pavimento, e per ridurre la trasmissione di rumori da calpestio.

(Scheda tecnica 16.3)



#### Schlüter®-DESIGNBASE-CQ-AE

set alluminio anodizzato

H (mm)	L = 2,50 m Cod. Art.	CHF / m	cassa (set)
60	DB CQ 60 AE	<b>34,86</b>	60
80	DB CQ 80 AE	<b>37,08</b>	60

#### Schlüter®-DESIGNBASE-CQ-AEEB

set alluminio anodizzato  
effetto acciaio inossidabile spazzolato

H (mm)	L = 2,50 m Cod. Art.	CHF / m	cassa (set)
60	DB CQ 60 AEEB	<b>43,00</b>	60
80	DB CQ 80 AEEB	<b>47,45</b>	60

#### Schlüter®-DESIGNBASE-CQ-AC

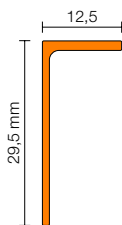
set alluminio colorato

H (mm)	L = 2,50 m Cod. Art.	CHF / m	cassa (set)
60	DB CQ 60 MBW	<b>40,06</b>	60
80	DB CQ 80 MBW	<b>44,49</b>	60

#### Schlüter®-DESIGNBASE-CQ/SG

profilo ad L per fuga ad ombra

H (mm)	L = 2,50 m Cod. Art.	CHF / m	cassa (pz.)
12,5	DB SG 125 AE	<b>10,31</b>	60
12,5	DB SG 125 MBW	<b>15,50</b>	60
12,5	DB SG 125 AEEB	<b>21,49</b>	60



#### Nota:

Il set è composto da Schlüter-DESIGNBASE-CQ, profilo di fissaggio in PVC e materiale per il fissaggio.

## Angolo | Terminale | Uscita cavo | Labbro sigillante

#### Schlüter®-DESIGNBASE-CQ-AE/EV

angolo esterno/interno 90° /  
terminale alluminio anodizzato

H (mm)	Cod. Art.	CHF / pz	crt. (pz.)
60	EV / DB CQ 60 AE	<b>23,00</b>	50
80	EV / DB CQ 80 AE	<b>23,00</b>	50

#### Schlüter®-DESIGNBASE-CQ-AEEB/EV

angolo esterno/interno 90° / terminale alluminio  
anodizzato effetto acciaio inossidabile spazzolato

H (mm)	Cod. Art.	CHF / pz	crt. (pz.)
60	EV / DB CQ 60 AEEB	<b>24,46</b>	50
80	EV / DB CQ 80 AEEB	<b>24,46</b>	50

#### Schlüter®-DESIGNBASE-CQ-AC/EV

angolo esterno/interno 90° /  
terminale alluminio colorato

H (mm)	Cod. Art.	CHF / pz	crt. (pz.)
60	EV / DB CQ 60 MBW	<b>23,73</b>	50
80	EV / DB CQ 80 MBW	<b>23,73</b>	50

#### Schlüter®-DESIGNBASE-CQ-AE/O

uscita cavo, lunghezza: 15 cm

H (mm)	Cod. Art.	CHF / pz	crt. (pz.)
60	DB COQ 60 AE/15	<b>17,80</b>	60
80	DB COQ 80 AE/15	<b>18,52</b>	60

#### Schlüter®-DESIGNBASE-CQ-AEEB/O

uscita cavo, lunghezza: 15 cm

H (mm)	Cod. Art.	CHF / pz	crt. (pz.)
60	DB COQ 60 AEEB/15	<b>19,28</b>	60
80	DB COQ 80 AEEB/15	<b>20,04</b>	60

#### Schlüter®-DESIGNBASE-CQ-AC/O

uscita cavo, lunghezza: 15 cm

H (mm)	Cod. Art.	CHF / pz	crt. (pz.)
60	DB COQ 60 MBW/15	<b>18,17</b>	60
80	DB COQ 80 MBW/15	<b>19,07</b>	60

#### Schlüter®-DESIGNBASE-CQ/Z

labbro sigillante

L = 2,50 m Cod. Art.	CHF / m	crt. (pz.)
DB ZCL / MBW	<b>8,16</b>	60
DB ZCL / PG	<b>8,16</b>	60



#### Colori disponibili:

DB ZCL / MBW = bianco matt  
DB ZCL / PG = grigio pastello

#### Colorazioni disponibili:

MBW

Colori disponibili: MBW

# Bello e resistente

## Piani di lavoro con ceramica

Un piano di lavoro rivestito con ceramica è una pratica soluzione che aggiunge valore ad ogni cucina. Pratici, longevi e allo stesso tempo eleganti.

Per mantenere sempre in perfetta forma il vostro piano rivestito con ceramica, è indispensabile proteggere bordi e spigoli da danni meccanici. Schlüter-SCHIENE-STEP e -RONDEC-STEP sono due soluzioni particolarmente indicate per questo tipo di utilizzo.

Con MyDesign by Schlüter-Systems i profili possono essere adattati al design del rivestimento in ceramica.





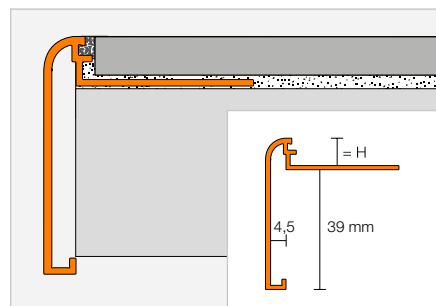
## Profilo di chiusura

### Schlüter®-RONDEC-STEP



Schlüter-RODEC-STEP è un profilo di chiusura con distanziatore adatto per bordi, piani di lavoro e piani di appoggio rivestiti con la ceramica. Il bordo superiore ha un aspetto arrotondato.

(Scheda tecnica 2.8)



#### Schlüter®-RONDEC-STEP-AE

alluminio anodizzato

H (mm)	L = 2,50 m Cod. Art.	CHF / m	cassa (pz.)
8	RS 80 AE 39	<b>31,48</b>	60
10	RS 100 AE 39	<b>32,14</b>	60
12,5	RS 125 AE 39	<b>32,77</b>	60

#### Schlüter®-RONDEC-STEP-ACGB

alluminio anodizzato effetto cromato spazzolato

H (mm)	L = 2,50 m Cod. Art.	CHF / m	cassa (pz.)
8	RS 80 ACGB 39	<b>38,89</b>	60
10	RS 100 ACGB 39	<b>39,54</b>	60
12,5	RS 125 ACGB 39	<b>40,14</b>	60

#### Schlüter®-RONDEC-STEP-AC

alluminio colorato

H (mm)	L = 2,50 m Cod. Art.	CHF / m	cassa (pz.)
8	RS 80 ...* 39	<b>34,88</b>	60
10	RS 100 ...* 39	<b>36,04</b>	60
12,5	RS 125 ...* 39	<b>37,19</b>	60

## Angolo

#### Schlüter®-RONDEC-STEP/E 90°

angolo esterno 90°

H (mm)	Cod. Art.	CHF / pz	crt. (pz.)
8	E90 RS 80 ...** 39	<b>35,30</b>	50
10	E90 RS 100 ...** 39	<b>35,30</b>	50
12,5	E90 RS 125 ...** 39	<b>35,30</b>	50

#### Schlüter®-RONDEC-STEP/E 135°

angolo esterno 135°

H (mm)	Cod. Art.	CHF / pz	crt. (pz.)
8	E135 RS 80 ...** 39	<b>35,30</b>	50
10	E135 RS 100 ...** 39	<b>35,30</b>	50
12,5	E135 RS 125 ...** 39	<b>35,30</b>	50



#### Schlüter®-RONDEC-STEP-AC/E 90°

angolo esterno 90° alluminio

H (mm)	Cod. Art.	CHF / pz	crt. (pz.)
8	E90 RS 80 ...* 39	<b>34,02</b>	50
10	E90 RS 100 ...* 39	<b>34,02</b>	50
12,5	E90 RS 125 ...* 39	<b>34,02</b>	50

#### Schlüter®-RONDEC-STEP-AC/E 135°

angolo esterno 135° alluminio

H (mm)	Cod. Art.	CHF / pz	crt. (pz.)
8	E135 RS 80 ...* 39	<b>34,02</b>	50
10	E135 RS 100 ...* 39	<b>34,02</b>	50
12,5	E135 RS 125 ...* 39	<b>34,02</b>	50



#### Schlüter®-RONDEC-STEP/I 90°

angolo interno 90°

H (mm)	Cod. Art.	CHF / pz	crt. (pz.)
8	I90 RS 80 ...** 39	<b>35,30</b>	50
10	I90 RS 100 ...** 39	<b>35,30</b>	50
12,5	I90 RS 125 ...** 39	<b>35,30</b>	50

#### Schlüter®-RONDEC-STEP/I 135°

angolo interno 135°

H (mm)	Cod. Art.	CHF / pz	crt. (pz.)
8	I135 RS 80 ...** 39	<b>35,30</b>	50
10	I135 RS 100 ...** 39	<b>35,30</b>	50
12,5	I135 RS 125 ...** 39	<b>35,30</b>	50



#### Schlüter®-RONDEC-STEP-AC/I 90°

angolo interno 90° alluminio

H (mm)	Cod. Art.	CHF / pz	crt. (pz.)
8	I90 RS 80 ...* 39	<b>34,02</b>	50
10	I90 RS 100 ...* 39	<b>34,02</b>	50
12,5	I90 RS 125 ...* 39	<b>34,02</b>	50

#### Schlüter®-RONDEC-STEP-AC/I 135°

angolo interno 135° alluminio

H (mm)	Cod. Art.	CHF / pz	crt. (pz.)
8	I135 RS 80 ...* 39	<b>34,02</b>	50
10	I135 RS 100 ...* 39	<b>34,02</b>	50
12,5	I135 RS 125 ...* 39	<b>34,02</b>	50

Completare il Cod. Art. con finitura/colore  
(ad es. I135 RS 80 MBW 39)



\* Finiture/colori: BW - MBW - MGS

\*\* Finiture/colori: ACGB - AE

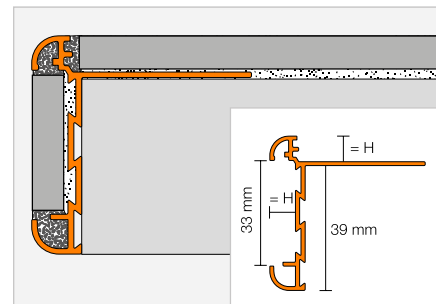
A pagina 340 e segg. è disponibile una panoramica delle finiture e dei colori.



## Profilo di chiusura

**Schlüter®-RONDEC-STEP-CT**


Schlüter-RODEC-STEP-CT è un profilo di chiusura con distanziatore adatto per bordi, piani di lavoro e piani di appoggio rivestiti con la ceramica. Nello spazio frontale libero del profilo può essere inserito lo stesso rivestimento utilizzato nella parte superiore o possono essere integrati altri elementi decorativi. (Scheda tecnica 2.8)


**Schlüter®-RONDEC-STEP-CT-AE**

alluminio anodizzato

H (mm)	L = 2,50 m Cod. Art.	CHF / m	cassa (pz.)
8	RC 80 AE 39	<b>51,71</b>	60
10	RC 100 AE 39	<b>52,85</b>	60
12,5	RC 125 AE 39	<b>53,95</b>	60

**Schlüter®-RONDEC-STEP-CT-ACGB**

alluminio anodizzato effetto cromato spazzolato

H (mm)	L = 2,50 m Cod. Art.	CHF / m	cassa (pz.)
8	RC 80 ACGB 39	<b>56,04</b>	60
10	RC 100 ACGB 39	<b>57,12</b>	60
12,5	RC 125 ACGB 39	<b>58,21</b>	60

## Angolo

**Schlüter®-RONDEC-STEP-CT/E 90°**

angolo esterno 90°

H (mm)	Cod. Art.	CHF / pz	crt. (pz.)
8	E90 RC 80 ...* 39	<b>35,30</b>	10
10	E90 RC 100 ...* 39	<b>35,30</b>	10
12,5	E90 RC 125 ...* 39	<b>35,30</b>	10

**Schlüter®-RONDEC-STEP-CT/E 135°**

angolo esterno 135°

H (mm)	Cod. Art.	CHF / pz	crt. (pz.)
8	E135 RC 80 ...* 39	<b>35,30</b>	10
10	E135 RC 100 ...* 39	<b>35,30</b>	10
12,5	E135 RC 125 ...* 39	<b>35,30</b>	10


**Schlüter®-RONDEC-STEP-CT/I 90°**

angolo interno 90°

H (mm)	Cod. Art.	CHF / pz	crt. (pz.)
8	I90 RC 80 ...* 39	<b>35,30</b>	10
10	I90 RC 100 ...* 39	<b>35,30</b>	10
12,5	I90 RC 125 ...* 39	<b>35,30</b>	10

**Schlüter®-RONDEC-STEP-CT/I 135°**

angolo interno 135°

H (mm)	Cod. Art.	CHF / pz	crt. (pz.)
8	I135 RC 80 ...* 39	<b>35,30</b>	10
10	I135 RC 100 ...* 39	<b>35,30</b>	10
12,5	I135 RC 125 ...* 39	<b>35,30</b>	10


**Completare il Cod. Art. con il tipo di finitura (ad es. I135 RC 80 AE 39)**

\* Finiture: ACGB - AE

A pagina 340 e segg. è disponibile una panoramica delle finiture e dei colori.



## Profilo di chiusura | Angolo | Innesto

### Schlüter®-SCHIENE-STEP-EB



Schlüter-SCHIENE-STEP-EB è un profilo in acciaio inossidabile spazzolato. Disponibile in diverse combinazioni di altezze, trova una vasta gamma di applicazioni, per esempio per la chiusura frontale di piani di lavoro, per la realizzazione di gradini e come profilo di chiusura di un nuovo rivestimento posato su rivestimento in ceramica già presente. (Scheda tecnica 2.15)

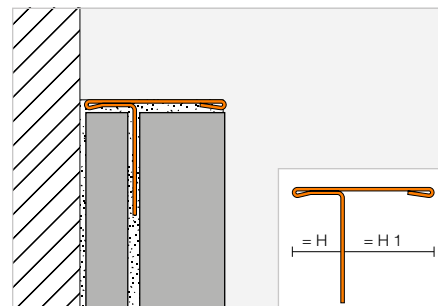
#### Altezza del profilo H1 = 11 mm



#### Schlüter®-SCHIENE-STEP-EB

acciaio inossidabile V2A spazzolato, H1 = 11 mm

H (mm)	L = 2,50 m Cod. Art.	CHF / m	cassa (pz.)
6	SS 60 EB 11	42,90	60
12,5	SS 125 EB 11	44,04	60



#### Schlüter®-SCHIENE-STEP-EB/V

innesto  
acciaio inossidabile V2A spazzolato

H (mm)	Cod. Art.	CHF / pz	crt. (pz.)
6	V / SS 60 EB 11	17,16	50
12,5	V / SS 125 EB 11	17,16	50



V / SS EB

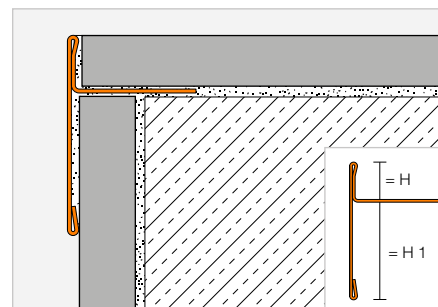
#### Altezza del profilo H1 = 30 mm



#### Schlüter®-SCHIENE-STEP-EB

acciaio inossidabile spazzolato V2A, H1 = 30 mm

H (mm)	L = 2,50 m Cod. Art.	CHF / m	cassa (pz.)
9	SS 90 EB 30	47,95	60
11	SS 110 EB 30	49,13	60
12,5	SS 125 EB 30	50,28	60



#### Schlüter®-SCHIENE-STEP-EB/E 90°

angolo esterno 90°  
acciaio inossidabile V2A spazzolato

H (mm)	Cod. Art.	CHF / pz	crt. (pz.)
9	E90 / SS 90 EB 30	19,50	50
11	E90 / SS 110 EB 30	19,50	50
12,5	E90 / SS 125 EB 30	19,50	50

#### Schlüter®-SCHIENE-STEP-EB/V

innesto  
acciaio inossidabile V2A spazzolato

H (mm)	Cod. Art.	CHF / pz	crt. (pz.)
9	V / SS 90 EB 30	17,16	50
11	V / SS 110 EB 30	17,16	50
12,5	V / SS 125 EB 30	17,16	50

#### Nota:

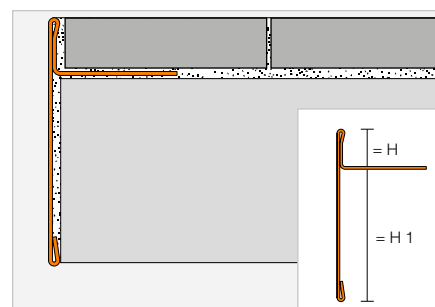
L'angolo esterno 90° può anche essere utilizzato come terminale.

Altezza del profilo H1 = 39 mm


**Schlüter®-SCHIENE-STEP-EB**


acciaio inossidabile spazzolato V2A, H1 = 39 mm

H (mm)	L = 2,50 m Cod. Art.	CHF / m	cassa (pz.)
6	SS 60 EB 39	<b>57,69</b>	60
9	SS 90 EB 39	<b>60,02</b>	60
11	SS 110 EB 39	<b>61,20</b>	60
12,5	SS 125 EB 39	<b>63,17</b>	60


**Schlüter®-SCHIENE-STEP-EB/E 90°**

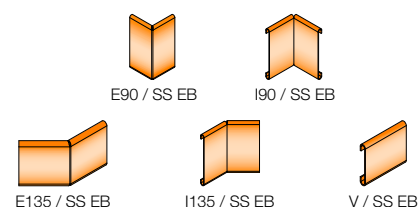
 angolo esterno 90°  
acciaio inossidabile V2A spazzolato

H (mm)	Cod. Art.	CHF / pz	crt. (pz.)
6	E90 / SS 60 EB 39	<b>19,50</b>	50
9	E90 / SS 90 EB 39	<b>19,50</b>	50
11	E90 / SS 110 EB 39	<b>19,50</b>	50
12,5	E90 / SS 125 EB 39	<b>19,50</b>	50

**Schlüter®-SCHIENE-STEP-EB/I 90°**

 angolo interno 90°  
acciaio inossidabile V2A spazzolato

H (mm)	Cod. Art.	CHF / pz	crt. (pz.)
6	I90 / SS 60 EB 39	<b>19,50</b>	50
9	I90 / SS 90 EB 39	<b>19,50</b>	50
11	I90 / SS 110 EB 39	<b>19,50</b>	50
12,5	I90 / SS 125 EB 39	<b>19,50</b>	50


**Schlüter®-SCHIENE-STEP-EB/E 135°**

 angolo esterno 135°  
acciaio inossidabile V2A spazzolato

H (mm)	Cod. Art.	CHF / pz	crt. (pz.)
6	E135 / SS 60 EB 39	<b>19,50</b>	50
9	E135 / SS 90 EB 39	<b>19,50</b>	50
11	E135 / SS 110 EB 39	<b>19,50</b>	50
12,5	E135 / SS 125 EB 39	<b>19,50</b>	50

**Schlüter®-SCHIENE-STEP-EB/I 135°**

 angolo interno 135°  
acciaio inossidabile V2A spazzolato

H (mm)	Cod. Art.	CHF / pz	crt. (pz.)
6	I135 / SS 60 EB 39	<b>19,50</b>	50
9	I135 / SS 90 EB 39	<b>19,50</b>	50
11	I135 / SS 110 EB 39	<b>19,50</b>	50
12,5	I135 / SS 125 EB 39	<b>19,50</b>	50

**Schlüter®-SCHIENE-STEP-EB/V**

 innesto  
acciaio inossidabile V2A spazzolato

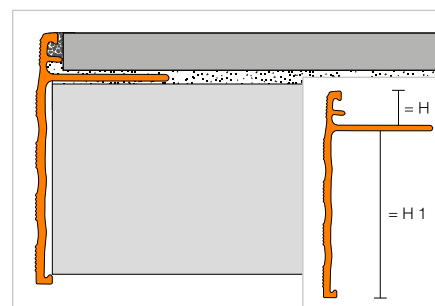
H (mm)	Cod. Art.	CHF / pz	crt. (pz.)
6	V / SS 60 EB 39	<b>17,16</b>	50
9	V / SS 90 EB 39	<b>17,16</b>	50
11	V / SS 110 EB 39	<b>17,16</b>	50
12,5	V / SS 125 EB 39	<b>17,16</b>	50

Profilo di chiusura

**Schlüter®-SCHIENE-STEP**


Schlüter-SCHIENE-STEP è un profilo di chiusura con distanziatore adatto per bordi, piani di lavoro e piani di appoggio rivestiti con la ceramica.

(Scheda tecnica 2.15)


**Schlüter®-SCHIENE-STEP-AE**

alluminio anodizzato, H1 = 30 mm

H (mm)	L = 2,50 m Cod. Art.	CHF / m	cassa (pz.)
8	SS 80 AE 30	<b>30,64</b>	60
10	SS 100 AE 30	<b>31,12</b>	60
12,5	SS 125 AE 30	<b>32,06</b>	60
15	SS 150 AE 30	<b>32,88</b>	60

**Schlüter®-SCHIENE-STEP-AE**

alluminio anodizzato, H1 = 39 mm

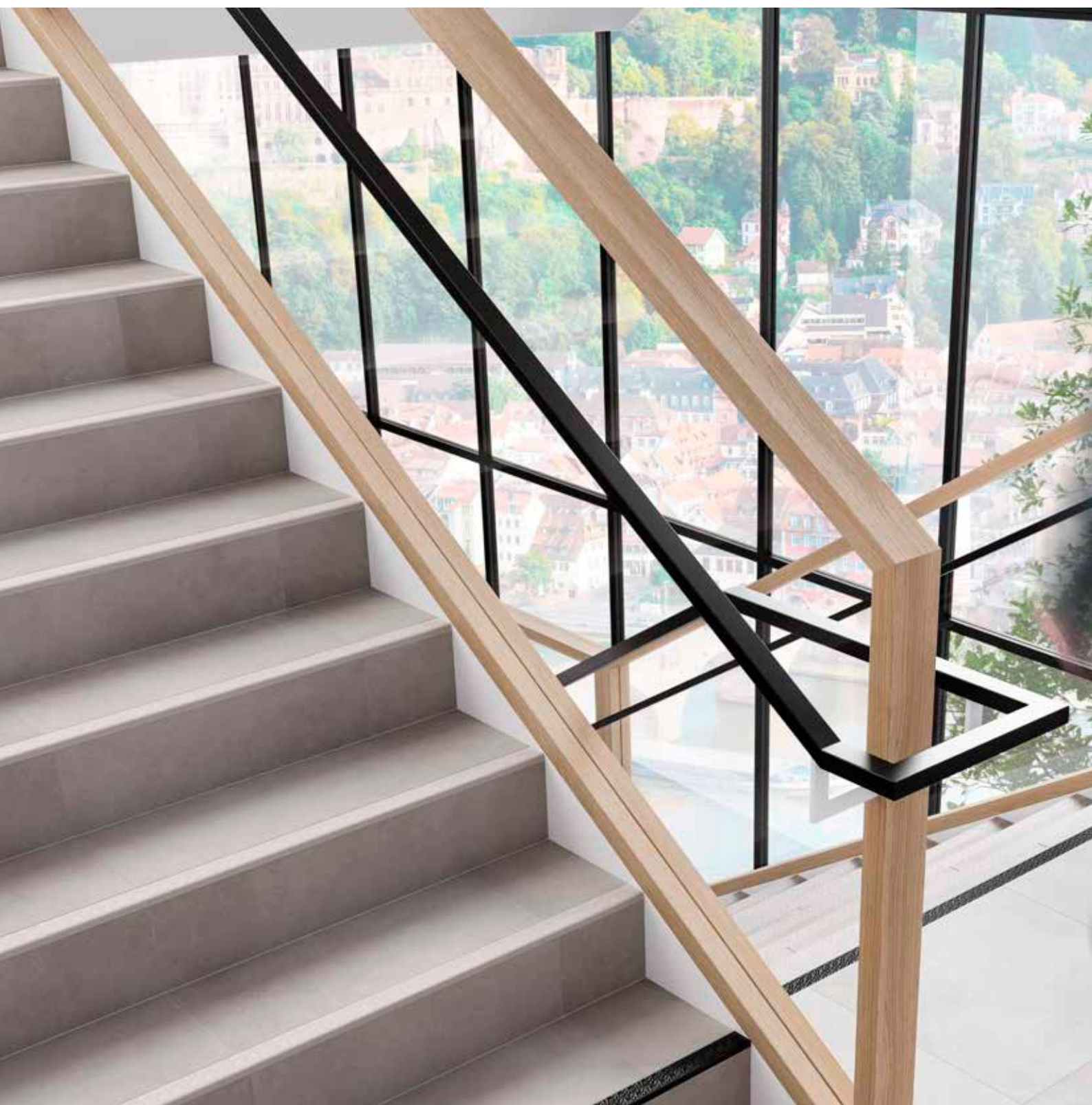
H (mm)	L = 2,50 m Cod. Art.	CHF / m	cassa (pz.)
8	SS 80 AE 39	<b>31,45</b>	60
10	SS 100 AE 39	<b>31,90</b>	60
12,5	SS 125 AE 39	<b>32,88</b>	60
15	SS 150 AE 39	<b>33,42</b>	60



# Profili Schlüter

## Profili per scale

Gli spigoli esterni dei gradini sono normalmente soggetti a forti sollecitazioni meccaniche e possono rappresentare un rischio d'infortunio. I profili Schlüter-TREP, che possono anche essere installati a rivestimento posato, offrono maggiore sicurezza grazie alla loro superficie antiscivolo ed all'alta visibilità. Inoltre, impedendo il danneggiamento del rivestimento, proteggono gli spigoli delle scale dall'usura. I profili della gamma Schlüter-TREP si abbinano perfettamente alla gamma Schlüter-LIPROTEC, Luce-Profili-Tecnologia.





## Profili per scale

Schlüter®-TREP-V	111
Schlüter®-TREP-S/-B	113
Schlüter®-TREP-E	115
Schlüter®-TREP-G/-GL	116
Schlüter®-TREP-FL	117

## Profili per scale a posa ultimata

Schlüter®-TREP-EK	119
Schlüter®-TREP-EFK	119
Schlüter®-TREP-GK/-GLK	120

## Collante sigillante per il montaggio

Schlüter®-KERDI-FIX	121
---------------------	-----



# Schlüter®-TREP-V

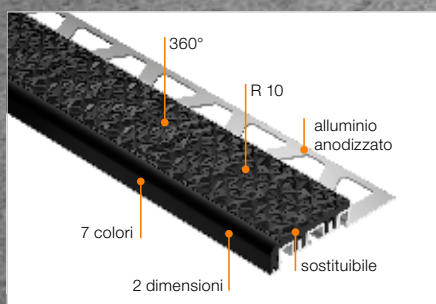
Design e funzionalità in armonia

Schlüter-TREP-V unisce gli ultimi sviluppi, in materia di resistenza allo scivolamento, con le raccomandazioni delle normative vigenti. TREP-V ha una resistenza allo scivolamento R 10 secondo la normativa DIN EN 16165. Può quindi essere utilizzato in modo sicuro per le scale nelle aree interne dove non vi sono superfici bagnate.

Le superfici delle pedate sostituibili, brevettate, hanno colori ed effetti cromatici progettati per ottenere un effetto a contrasto con i colori di tendenza della ceramica. In due pratiche dimensioni e con un'ampia e moderna gamma di colori, i profili per scale TREP-V uniscono l'estetica al rispetto delle normative sulla sicurezza.



TREP-V 42

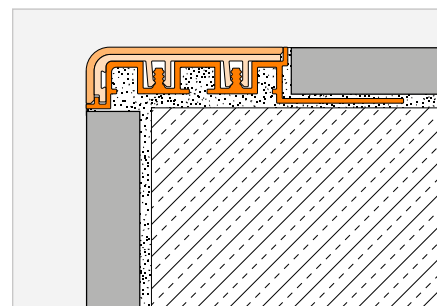


Profili per scale

Schlüter®-TREP-V



Schlüter-TREP-V è un profilo in alluminio per scale, con la superficie della pedata in materiale plastico antiscivolo sostituibile. Grazie all'ampia gamma di colori delle superfici della pedata, è possibile creare effetti a contrasto con il rivestimento adiacente. Il profilo è disponibile, a scelta, con pedata sottile (TREP-V 42) o più larga (TREP-V 60).  
(Scheda tecnica 3.6)



Schlüter®-TREP-V 42

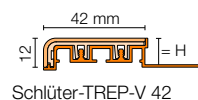
profilo portante (42 mm / 12 mm)  
in alluminio anodizzato, R 10

H (mm)	L = 3,00 m Cod. Art.	CHF / m	cassa (pz.)
9	TVL 42 ...* 90/300	31,71	60
11	TVL 42 ...* 110/300	32,86	60
12,5	TVL 42 ...* 125/300	34,02	60
L = 2,00 m			
9	TVL 42 ...* 90/200	31,71	60
11	TVL 42 ...* 110/200	32,86	60
12,5	TVL 42 ...* 125/200	34,02	60
L = 1,50 m			
9	TVL 42 ...* 90/150	31,71	60
11	TVL 42 ...* 110/150	32,86	60
12,5	TVL 42 ...* 125/150	34,02	60
L = 1,00 m			
9	TVL 42 ...* 90/100	31,71	60
11	TVL 42 ...* 110/100	32,86	60
12,5	TVL 42 ...* 125/100	34,02	60

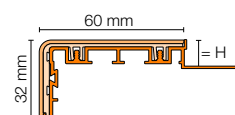
Schlüter®-TREP-V 60

profilo portante (60 mm / 32 mm)  
in alluminio anodizzato, R 10

H (mm)	L = 3,00 m Cod. Art.	CHF / m	cassa (pz.)
9	TVL 60 ...* 90/300	42,09	60
11	TVL 60 ...* 110/300	43,82	60
12,5	TVL 60 ...* 125/300	45,55	60
L = 2,00 m			
9	TVL 60 ...* 90/200	42,09	60
11	TVL 60 ...* 110/200	43,82	60
12,5	TVL 60 ...* 125/200	45,55	60
L = 1,50 m			
9	TVL 60 ...* 90/150	42,09	60
11	TVL 60 ...* 110/150	43,82	60
12,5	TVL 60 ...* 125/150	45,55	60
L = 1,00 m			
9	TVL 60 ...* 90/100	42,09	60
11	TVL 60 ...* 110/100	43,82	60
12,5	TVL 60 ...* 125/100	45,55	60



Schlüter-TREP-V 42

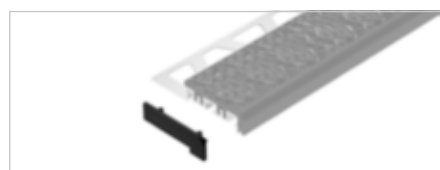


Schlüter-TREP-V 60

Nota:

R 10 = Coefficiente di scivolamento secondo Norma DIN EN 16165

Terminali



Schlüter®-TREP-V 42/EK

terminale PVC, sinistra + destra

Cod. Art.	CHF / kit	crt. (pz.)
E / TV 42 ...*	4,39	50



Schlüter®-TREP-V 60/EK

terminale PVC, sinistra + destra

Cod. Art.	CHF / kit	crt. (pz.)
E / TV 60 ...*	5,19	50

Accessorio per TREP-V



Schlüter®-TREP-V 42/EL

pezzo di ricambio:  
inserto in materiale plastico (42 mm / 12 mm), R 10

L = 3,00 m Cod. Art.	CHF / m	crt. (pz.)
TVL 42 ...*/300	9,80	60
L = 2,00 m		
TVL 42 ...*/200	9,80	60

Schlüter®-TREP-V 60/EL

pezzo di ricambio:  
inserto in materiale plastico (60 mm / 32 mm), R 10

L = 3,00 m Cod. Art.	CHF / m	crt. (pz.)
TVL 60 ...*/300	13,84	60
L = 2,00 m		
TVL 60 ...*/200	13,84	60

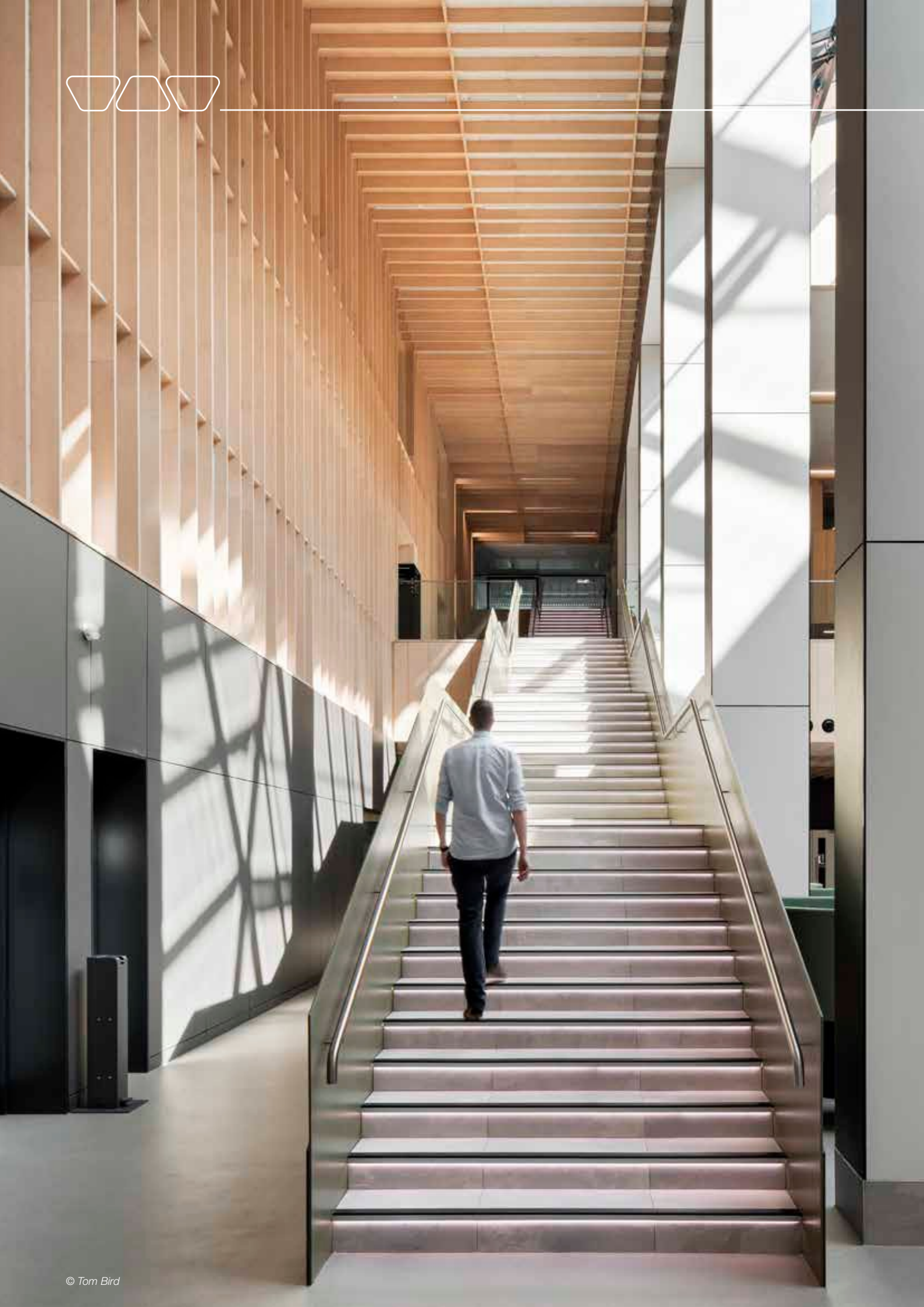


Completare il Cod. Art. con il colore (ad es. TVL 60 GS/300)



\* Colori disponibili: FG - GS - HB - HG - NB - SG - SP

A pagina 340 e segg. è disponibile una panoramica delle finiture e dei colori.





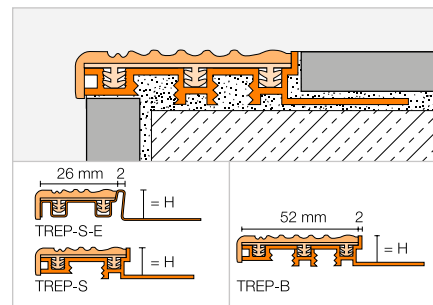
Profili per scale

Schlüter®-TREP-S/-B



Schlüter-TREP-S/-B sono profili in alluminio o acciaio inossidabile per scale, con la superficie della pedata in materiale plastico antiscivolo sostituibile. Sono disponibili con una superficie ampia (TREP-B) o stretta (TREP-S).

(Scheda tecnica 3.2)



Schlüter®-TREP-B

profilo portante  
alluminio largo (52 mm), R 9

H (mm)	L = 2,50 m Cod. Art.	CHF / m	cassa (pz.)
8	...* 8 B	31,91	60
10	...* 10 B	33,86	60
12,5	...* 12 B	35,37	60
15	...* 15 B	37,29	60
25	...* 25 B	38,17	60
<b>L = 1,50 m</b>			
8	...* 8 B/150	31,91	60
10	...* 10 B/150	33,86	60
12,5	...* 12 B/150	35,37	60
15	...* 15 B/150	37,29	60
25	...* 25 B/150	38,17	60
<b>L = 1,00 m</b>			
8	...* 8 B/100	32,98	60
10	...* 10 B/100	34,92	60
12,5	...* 12 B/100	36,50	60
15	...* 15 B/100	38,37	60
25	...* 25 B/100	39,24	60

Schlüter®-TREP-S

profilo portante  
alluminio stretto (26 mm), R 9

H (mm)	L = 2,50 m Cod. Art.	CHF / m	cassa (pz.)
8	...* 8 S	22,92	60
10	...* 10 S	23,52	60
12,5	...* 12 S	24,53	60
<b>L = 1,50 m</b>			
8	...* 8 S/150	22,92	60
10	...* 10 S/150	23,52	60
12,5	...* 12 S/150	24,53	60
<b>L = 1,00 m</b>			
8	...* 8 S/100	24,11	60
10	...* 10 S/100	24,63	60
12,5	...* 12 S/100	25,59	60

Nota:

R 9 = Coefficiente di scivolamento secondo  
Norma DIN 51 130

Schlüter®-TREP-S-E

profilo portante  
acciaio inossidabile V2A stretto (26 mm), R 9

H (mm)	L = 2,50 m Cod. Art.	CHF / m	cassa (pz.)
8	...* 8 SE	32,06	60
10	...* 10 SE	33,04	60
12,5	...* 12 SE	34,02	60
<b>L = 1,50 m</b>			
8	...* 8 SE/150	32,06	60
10	...* 10 SE/150	33,04	60
12,5	...* 12 SE/150	34,02	60
<b>L = 1,00 m</b>			
8	...* 8 SE/100	33,23	60
10	...* 10 SE/100	34,14	60
12,5	...* 12 SE/100	35,25	60

Schlüter®-TREP-TAP

profilo di copertura

B (mm)	L = 2,50 m Cod. Art.	CHF / m	cassa (pz.)
50	TAP 50 AE	16,57	60
<b>L = 1,50 m</b>			
50	TAP 50 AE/150	16,57	60
<b>L = 1,00 m</b>			
50	TAP 50 AE/100	16,57	60

Schlüter®-TREP-TAP-R

profilo di chiusura con scanalature

B (mm)	L = 2,50 m Cod. Art.	CHF / m	cassa (pz.)
61	TAP R61 AE	17,26	60
<b>L = 1,50 m</b>			
61	TAP R61 AE/150	17,26	60

Accessori per TREP-B

Schlüter®-TREP-B/EK

terminale largo (52 mm)

Cod. Art.	CHF / pz	crt. (pz.)
E 52 / ...*	2,41	50

Schlüter®-TREP-B/EL

pezzo di ricambio: ricambio largo (52 mm)

L = 2,50 m Cod. Art.	CHF / m	cassa (pz.)
PE 52 / ...*	8,86	60

Accessori per TREP-S/-S-E

Schlüter®-TREP-S/EK

terminale stretto (26 mm)

Cod. Art.	CHF / pz	crt. (pz.)
E 26 / ...*	1,48	50

Schlüter®-TREP-S/EL

pezzo di ricambio: ricambio stretto (26 mm)

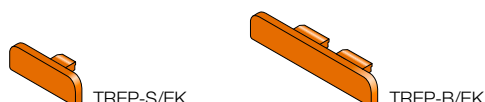
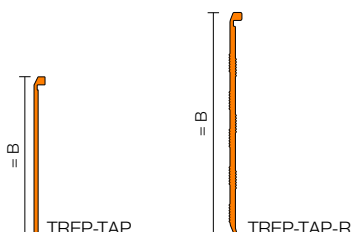
L = 2,50 m Cod. Art.	CHF / m	cassa (pz.)
PE 26 / ...*	7,48	60



Completare il Cod. Art. con il colore  
(ad es. PE 26 / HB)



\* Colori disponibili: CG - G - GS - HB - NB



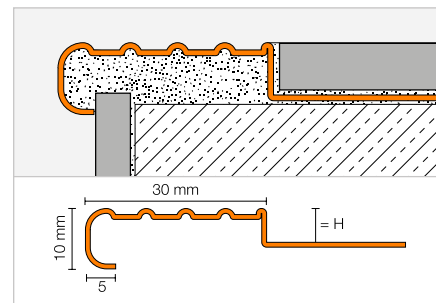


## Profili per scale

**Schlüter®-TREP-E**


Schlüter-TREP-E è un profilo in acciaio inossidabile per gradini, con superficie antiscivolo. (Scheda tecnica 3.3)

**i**  
TREP-E in V2A ora disponibile anche nelle altezze 9 mm, 10 mm e 22 mm!


**Schlüter®-TREP-E**

acciaio inossidabile V2A, R 10 V 6

H (mm)	L = 2,50 m Cod. Art.	CHF / m	cassa (pz.)
2	TE 20	20,92	60
3	TE 30	21,16	60
5	TE 50	21,60	60
8	TE 80	22,22	60
★ 9	TE 90	22,44	60
★ 10	TE 100	22,67	60
11	TE 110	22,92	60
13	TE 130	23,48	60
16	TE 160	24,03	60
★ 22	TE 220	25,43	60
25	TE 250	26,09	60

**Schlüter®-TREP-E**

acciaio inossidabile V2A, R 10 V 6

H (mm)	L = 1,50 m Cod. Art.	CHF / m	cassa (pz.)
2	TE 20/150	20,92	60
3	TE 30/150	21,16	60
5	TE 50/150	21,60	60
8	TE 80/150	22,22	60
★ 9	TE 90/150	22,44	60
★ 10	TE 100/150	22,67	60
11	TE 110/150	22,92	60
13	TE 130/150	23,48	60
16	TE 160/150	24,03	60
★ 22	TE 220/150	25,43	60
25	TE 250/150	26,09	60

**Schlüter®-TREP-E**

acciaio inossidabile V2A, R 10 V 6

H (mm)	L = 1,00 m Cod. Art.	CHF / m	cassa (pz.)
2	TE 20/100	22,03	60
3	TE 30/100	22,22	60
5	TE 50/100	22,67	60
8	TE 80/100	23,30	60
★ 9	TE 90/100	23,57	60
★ 10	TE 100/100	23,79	60
11	TE 110/100	24,03	60
13	TE 130/100	24,55	60
16	TE 160/100	25,20	60
★ 22	TE 220/100	26,55	60
25	TE 250/100	27,18	60

**Schlüter®-TREP-E V4A**

acciaio inossidabile V4A, R 10 V 6

H (mm)	L = 2,50 m Cod. Art.	CHF / m	cassa (pz.)
8	TE 80/V4A	24,44	60
11	TE 110/V4A	25,18	60
13	TE 130/V4A	25,83	60
16	TE 160/V4A	26,39	60

**Schlüter®-TREP-E V4A**

acciaio inossidabile V4A, R 10 V 6

H (mm)	L = 1,50 m Cod. Art.	CHF / m	cassa (pz.)
8	TE 80/150/V4A	24,44	60
11	TE 110/150/V4A	25,18	60
13	TE 130/150/V4A	25,83	60
16	TE 160/150/V4A	26,39	60

**Schlüter®-TREP-E V4A**

acciaio inossidabile V4A, R 10 V 6

H (mm)	L = 1,00 m Cod. Art.	CHF / m	cassa (pz.)
8	TE 80/100/V4A	25,65	60
11	TE 110/100/V4A	26,39	60
13	TE 130/100/V4A	26,91	60
16	TE 160/100/V4A	27,74	60

## Terminali

**Schlüter®-TREP-E V4A/EK**

terminale acciaio inossidabile V4A

Cod. Art.	CHF / pz	crt. (pz.)
E / TE	2,96	50



TREP-E V4A/EK

Utilizzabile anche per i profili in acciaio V2A.

**Nota:**

R 10 V 6 = Coefficiente di scivolamento secondo Norma DIN 51 130

Per profili lunghi 3 m completare il Cod. Art. con "/300" (ad es. TE 80/300).

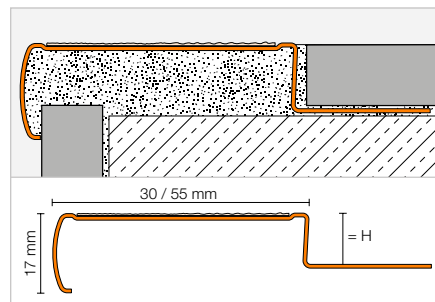


## Profili per scale

### Schlüter®-TREP-G/-GL



Schlüter-TREP-G è un profilo per scale realizzato in acciaio inossidabile spazzolato, su cui è applicato uno speciale materiale antiscivolo. (Scheda tecnica 3.5)



#### Schlüter®-TREP-G-B

acciaio inossidabile V2A spazzolato, largo (55 mm), R 11

H (mm)	L = 2,50 m Cod. Art.	CHF / m	cassa (pz.)
9	GB EB 90 ...*	62,49	60
11	GB EB 110 ...*	65,18	60
13	GB EB 130 ...*	67,84	60
15	GB EB 150 ...*	70,97	60
L = 1,50 m			
9	GB EB 90 ...*/150	62,49	60
11	GB EB 110 ...*/150	65,18	60
13	GB EB 130 ...*/150	67,84	60
15	GB EB 150 ...*/150	70,97	60
L = 1,00 m			
9	GB EB 90 ...*/100	63,83	60
11	GB EB 110 ...*/100	66,51	60
13	GB EB 130 ...*/100	69,22	60
15	GB EB 150 ...*/100	74,07	60

#### Schlüter®-TREP-G-S

acciaio inossidabile V2A spazzolato, stretto (30 mm), R 11

H (mm)	L = 2,50 m Cod. Art.	CHF / m	cassa (pz.)
9	GS EB 90 ...*	49,98	60
11	GS EB 110 ...*	52,67	60
13	GS EB 130 ...*	55,79	60
15	GS EB 150 ...*	58,03	60
L = 1,50 m			
9	GS EB 90 ...*/150	49,98	60
11	GS EB 110 ...*/150	52,67	60
13	GS EB 130 ...*/150	55,79	60
15	GS EB 150 ...*/150	58,03	60
L = 1,00 m			
9	GS EB 90 ...*/100	51,33	60
11	GS EB 110 ...*/100	54,04	60
13	GS EB 130 ...*/100	57,15	60
15	GS EB 150 ...*/100	59,38	60

#### Accessori per TREP-G-B

##### Schlüter®-TREP-G-B/EK

terminale largo

Cod. Art.	CHF / pz	crt. (pz.)
E/GB EB	3,74	50

##### Schlüter®-TREP-G-B/KB

pezzo di ricambio: striscia autoadesiva larga, R 11

44 mm x 18,3 m Cod. Art.	CHF / m	crt. (rotoli)
GB KB 183 ...*	11,75	60

##### Schlüter®-TREP-GL-B/KB

pezzo di ricambio: striscia autoadesiva larga, R 10

44 mm x 6 m Cod. Art.	CHF / m	crt. (rotoli)
GLB KB 60 ...*	13,22	60

#### Schlüter®-TREP-GL-B

acciaio inossidabile V2A spazzolato, largo (55 mm), R 10

H (mm)	L = 2,50 m Cod. Art.	CHF / m	cassa (pz.)
9	GLB EB 90 ...*	62,49	60
11	GLB EB 110 ...*	65,18	60
13	GLB EB 130 ...*	67,84	60
15	GLB EB 150 ...*	70,97	60
L = 1,50 m			
9	GLB EB 90 ...*/150	62,49	60
11	GLB EB 110 ...*/150	65,18	60
13	GLB EB 130 ...*/150	67,84	60
15	GLB EB 150 ...*/150	70,97	60
L = 1,00 m			
9	GLB EB 90 ...*/100	63,83	60
11	GLB EB 110 ...*/100	66,51	60
13	GLB EB 130 ...*/100	69,22	60
15	GLB EB 150 ...*/100	74,07	60

#### Schlüter®-TREP-GL-S

acciaio inossidabile V2A spazzolato, stretto (30 mm), R 10

H (mm)	L = 2,50 m Cod. Art.	CHF / m	cassa (pz.)
9	GLS EB 90 ...*	49,98	60
11	GLS EB 110 ...*	52,67	60
13	GLS EB 130 ...*	55,79	60
15	GLS EB 150 ...*	58,03	60
L = 1,50 m			
9	GLS EB 90 ...*/150	49,98	60
11	GLS EB 110 ...*/150	52,67	60
13	GLS EB 130 ...*/150	55,79	60
15	GLS EB 150 ...*/150	58,03	60
L = 1,00 m			
9	GLS EB 90 ...*/100	51,33	60
11	GLS EB 110 ...*/100	54,04	60
13	GLS EB 130 ...*/100	57,15	60
15	GLS EB 150 ...*/100	59,38	60

#### Accessori per TREP-G-S

##### Schlüter®-TREP-G-S/EK

terminale stretto

Cod. Art.	CHF / pz	crt. (pz.)
E/GS EB	3,30	50

##### Schlüter®-TREP-G-S/KB

pezzo di ricambio: striscia autoadesiva stretta, R 11

19 mm x 18,3 m Cod. Art.	CHF / m	crt. (rotoli)
GS KB 183 ...*	7,83	60

##### Schlüter®-TREP-GL-S/KB

pezzo di ricambio: striscia autoadesiva stretta, R 10

19 mm x 6 m Cod. Art.	CHF / m	crt. (rotoli)
GLS KB 60 ...*	9,21	60

#### Nota:

R 10 / R 11 = Coefficiente di scivolamento secondo Norma DIN 51 130

Completare il Cod. Art. con il colore  
(ad es. GLS KB 60 T)



\* Colori disponibili: GS - T

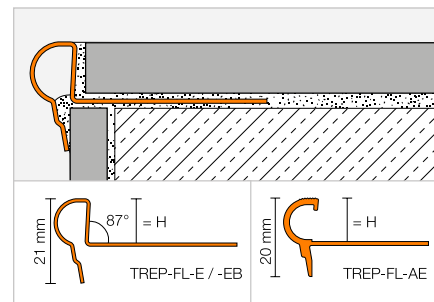


## Profili per scale

**Schlüter®-TREP-FL**


Schlüter-TREP-FL è un profilo per scale disponibile in alluminio ed in acciaio inossidabile. La versione in alluminio presenta delle scanalature antiscivolo sulla parte della pedata. Adatto per proteggere lo spigolo del gradino e realizzato in una forma esteticamente piacevole, detta "fiorentina", viene utilizzato con tutti i rivestimenti ceramici e pietra naturale. E' indicato per le scale in ceramica o pietra naturale.

(Scheda tecnica 3.4)


**Schlüter®-TREP-FL-AE**

alluminio anodizzato

H (mm)	L = 2,50 m Cod. Art.	CHF / m	cassa (pz.)
9	FL 90 AE	<b>19,07</b>	60
11	FL 110 AE	<b>19,07</b>	60
12,5	FL 125 AE	<b>19,07</b>	60
<b>L = 1,50 m</b>			
9	FL 90 AE/150	<b>19,07</b>	60
11	FL 110 AE/150	<b>19,07</b>	60
12,5	FL 125 AE/150	<b>19,07</b>	60
<b>L = 1,00 m</b>			
9	FL 90 AE/100	<b>19,97</b>	60
11	FL 110 AE/100	<b>19,97</b>	60
12,5	FL 125 AE/100	<b>19,97</b>	60

**Schlüter®-TREP-FL-E**

acciaio inossidabile V2A

H (mm)	L = 2,50 m Cod. Art.	CHF / m	cassa (pz.)
9	FL 90 E	<b>25,65</b>	60
11	FL 110 E	<b>25,65</b>	60
12,5	FL 125 E	<b>25,65</b>	60
<b>L = 1,50 m</b>			
9	FL 90 E/150	<b>25,65</b>	60
11	FL 110 E/150	<b>25,65</b>	60
12,5	FL 125 E/150	<b>25,65</b>	60
<b>L = 1,00 m</b>			
9	FL 90 E/100	<b>26,56</b>	60
11	FL 110 E/100	<b>26,56</b>	60
12,5	FL 125 E/100	<b>26,56</b>	60

**Schlüter®-TREP-FL-EB**

acciaio inossidabile V2A spazzolato

H (mm)	L = 2,50 m Cod. Art.	CHF / m	cassa (pz.)
9	FL 90 EB	<b>32,08</b>	60
11	FL 110 EB	<b>32,08</b>	60
12,5	FL 125 EB	<b>32,08</b>	60
<b>L = 1,50 m</b>			
9	FL 90 EB/150	<b>32,08</b>	60
11	FL 110 EB/150	<b>32,08</b>	60
12,5	FL 125 EB/150	<b>32,08</b>	60
<b>L = 1,00 m</b>			
9	FL 90 EB/100	<b>33,18</b>	60
11	FL 110 EB/100	<b>33,18</b>	60
12,5	FL 125 EB/100	<b>33,18</b>	60

Per profili lunghi 3 m completare il Cod. Art. con "/300" (ad es. FL 90 AE/300).

## Terminali

**Schlüter®-TREP-FL-AE/EK**

terminale, alluminio anodizzato

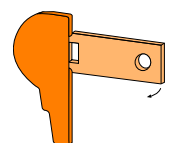
Cod. Art.	CHF / pz	crt. (pz.)
E / FL AE	<b>2,89</b>	50

**Schlüter®-TREP-FL-EB/EK\***

terminale acciaio inossidabile V2A spazzolato

Cod. Art.	CHF / pz	crt. (pz.)
E / FL EB	<b>2,96</b>	50

\* utilizzabile con Schlüter-TREP-FL-E e -EB.



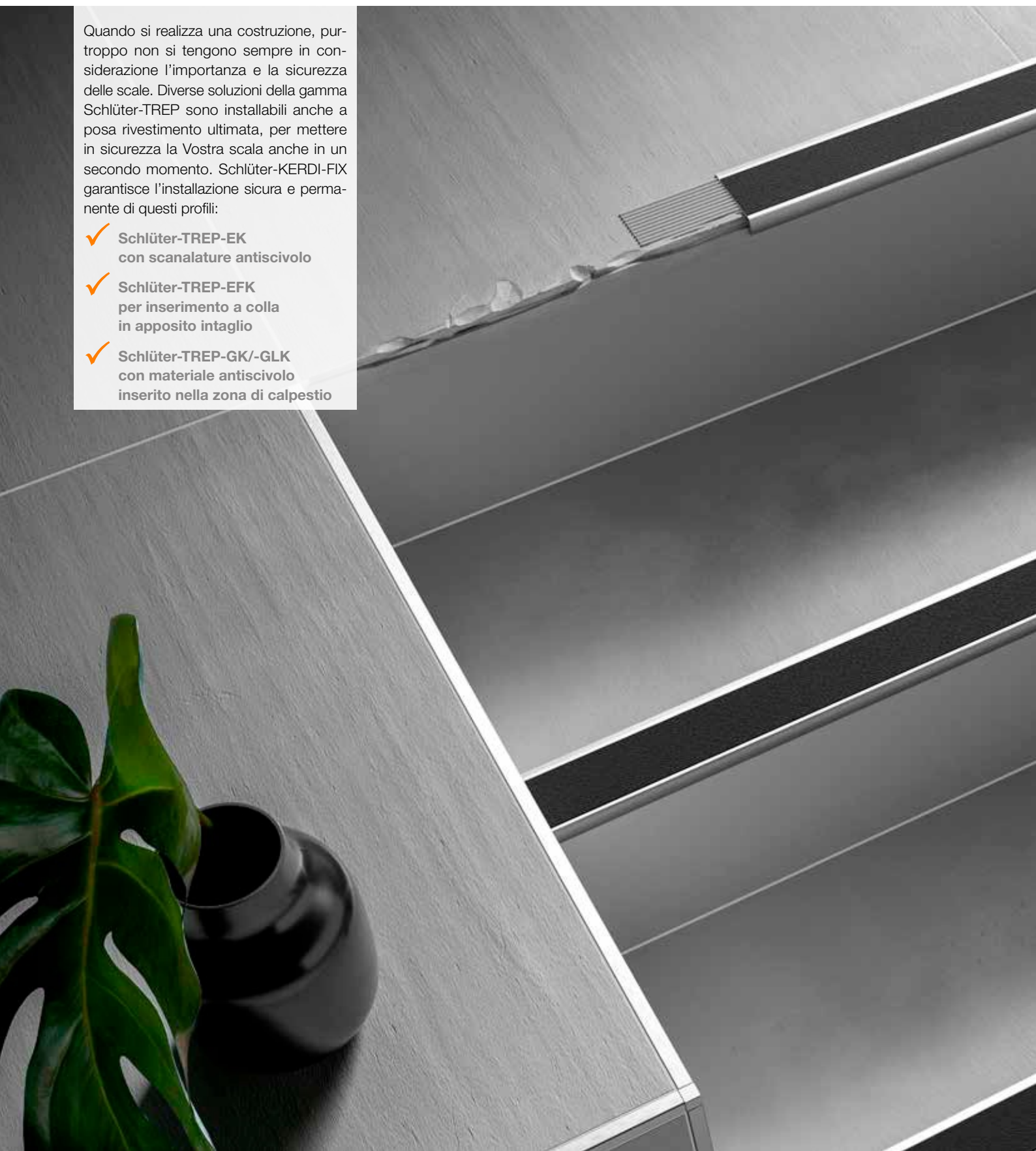


# Schlüter®-TREP

## Sicurezza anche a posa ultimata

Quando si realizza una costruzione, purtroppo non si tengono sempre in considerazione l'importanza e la sicurezza delle scale. Diverse soluzioni della gamma Schlüter-TREP sono installabili anche a posa rivestimento ultimata, per mettere in sicurezza la Vostra scala anche in un secondo momento. Schlüter-KERDI-FIX garantisce l'installazione sicura e permanente di questi profili:

- ✓ **Schlüter-TREP-EK**  
con scanalature antiscivolo
- ✓ **Schlüter-TREP-EFK**  
per inserimento a colla  
in apposito intaglio
- ✓ **Schlüter-TREP-GK/-GLK**  
con materiale antiscivolo  
inserito nella zona di calpestio



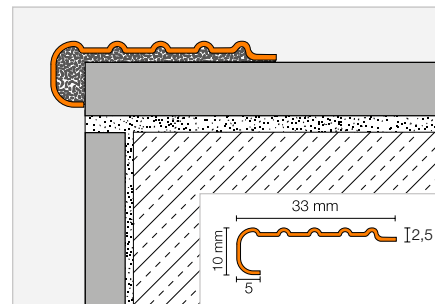
Profili per scale

**Schlüter®-TREP-EK**



Schlüter-TREP-EK è un profilo in acciaio inossidabile per scale, con la parte superiore antiscivolo. E' adatto per proteggere lo spigolo del gradino ed è realizzato in una forma esteticamente piacevole. Viene applicato su gradini con rivestimento ceramico a posa già ultimata.

(Scheda tecnica 3.3)



**Schlüter®-TREP-EK**

acciaio inossidabile V2A, R 10 V 6

L = 2,50 m Cod. Art.	CHF / m	cassa (pz.)
TEK	20,00	60

**Schlüter®-TREP-EK**

acciaio inossidabile V2A, R 10 V 6

L = 1,50 m Cod. Art.	CHF / m	cassa (pz.)
TEK/150	20,00	60

**Schlüter®-TREP-EK**

acciaio inossidabile V2A, R 10 V 6

L = 1,00 m Cod. Art.	CHF / m	cassa (pz.)
TEK/100	21,06	60

**Nota:**

R 10 V 6 = Coefficiente di scivolamento secondo Norma DIN 51 130

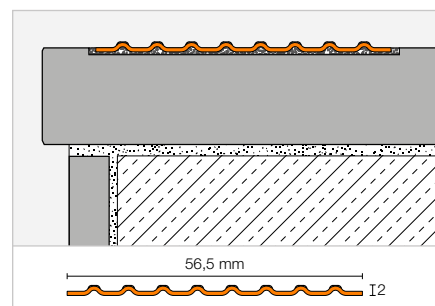
Profili per scale

**Schlüter®-TREP-EFK**



Schlüter-TREP-EFK è un profilo in acciaio inossidabile con superficie antiscivolo per gradini. E' possibile inserirlo con idonea colla di montaggio in un intaglio da predisporre nel gradino/rivestimento o incollarlo direttamente sullo stesso, anche a posa ultimata.

(Scheda tecnica 3.3)



**Schlüter®-TREP-EFK**

acciaio inossidabile V4A, R 10 V 6

L = 2,50 m Cod. Art.	CHF / m	cassa (pz.)
TEF 56K/V4A	27,81	60

**Nota:**

R 10 V 6 = Coefficiente di scivolamento secondo Norma DIN 51 130

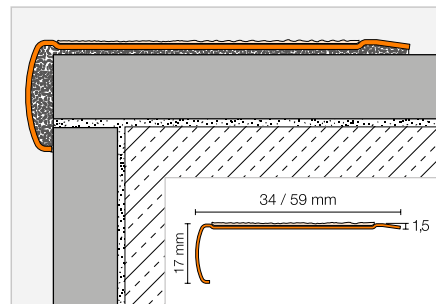


## Profili per scale

### Schlüter®-TREP-GK/-GLK



Schlüter-TREP-GK è un profilo per scale realizzato in acciaio inossidabile spazzolato, su cui è applicato uno speciale materiale anti-scivolo. Viene applicato su gradini con rivestimento ceramico a posa già ultimata. (Scheda tecnica 3.5)



#### Schlüter®-TREP-GK-B

acciaio inossidabile V2A spazzolato, largo (59 mm), R 11

L = 2,50 m Cod. Art.	CHF / m	cassa (pz.)
GB EBK ...*	<b>53,56</b>	60
L = 1,50 m		
GB EBK ...*/150	<b>53,56</b>	60
L = 1,00 m		
GB EBK ...*/100	<b>54,93</b>	60

#### Schlüter®-TREP-GK-S

acciaio inossidabile V2A spazzolato, stretto (34 mm), R 11

L = 2,50 m Cod. Art.	CHF / m	cassa (pz.)
GS EBK ...*	<b>43,75</b>	60
L = 1,50 m		
GS EBK ...*/150	<b>43,75</b>	60
L = 1,00 m		
GS EBK ...*/100	<b>45,07</b>	60

#### Accessori per TREP-GK-B

##### Schlüter®-TREP-G-B/KB

pezzo di ricambio: striscia autoadesiva larga, R 11

44 mm x 18,3 m Cod. Art.	CHF / m	crt. (rotoli)
GB KB 183 ...*	<b>11,75</b>	60

##### Schlüter®-TREP-GL-B/KB

pezzo di ricambio: striscia autoadesiva larga, R 10

44 mm x 6 m Cod. Art.	CHF / m	crt. (rotoli)
GLB KB 60 ...*	<b>13,22</b>	60

#### Schlüter®-TREP-GLK-B

acciaio inossidabile V2A spazzolato, largo (59 mm), R 10

L = 2,50 m Cod. Art.	CHF / m	cassa (pz.)
GLB EBK ...*	<b>53,56</b>	60
L = 1,50 m		
GLB EBK ...*/150	<b>53,56</b>	60
L = 1,00 m		
GLB EBK ...*/100	<b>54,93</b>	60

#### Schlüter®-TREP-GLK-S

acciaio inossidabile V2A spazzolato, stretto (34 mm), R 10

L = 2,50 m Cod. Art.	CHF / m	cassa (pz.)
GLS EBK ...*	<b>43,75</b>	60
L = 1,50 m		
GLS EBK ...*/150	<b>43,75</b>	60
L = 1,00 m		
GLS EBK ...*/100	<b>45,07</b>	60

#### Accessori per TREP-GK-S

##### Schlüter®-TREP-G-S/KB

pezzo di ricambio: striscia autoadesiva stretta, R 11

19 mm x 18,3 m Cod. Art.	CHF / m	crt. (rotoli)
GS KB 183 ...*	<b>7,83</b>	60

##### Schlüter®-TREP-GL-S/KB

pezzo di ricambio: striscia autoadesiva stretta, R 10

19 mm x 6 m Cod. Art.	CHF / m	crt. (rotoli)
GLS KB 60 ...*	<b>9,21</b>	60

#### Nota:

R 10 / R 11 = Coefficiente di scivolamento secondo Norma DIN 51 130

Completare il Cod. Art. con il colore (ad es. GLS KB 60 T)



\* Colori disponibili: GS - T

A pagina 340 e segg. è disponibile una panoramica delle finiture e dei colori.



## Collante sigillante per il montaggio

### Schlüter®-KERDI-FIX



Schlüter-KERDI-FIX è un collante elastico a base di un polimero MS. Adatto per sigillare ed impermeabilizzare raccordi con Schlüter-KERDI e per incollare profili e pannelli Schlüter-KERDI-BOARD.  
(Scheda tecnica 8.3)



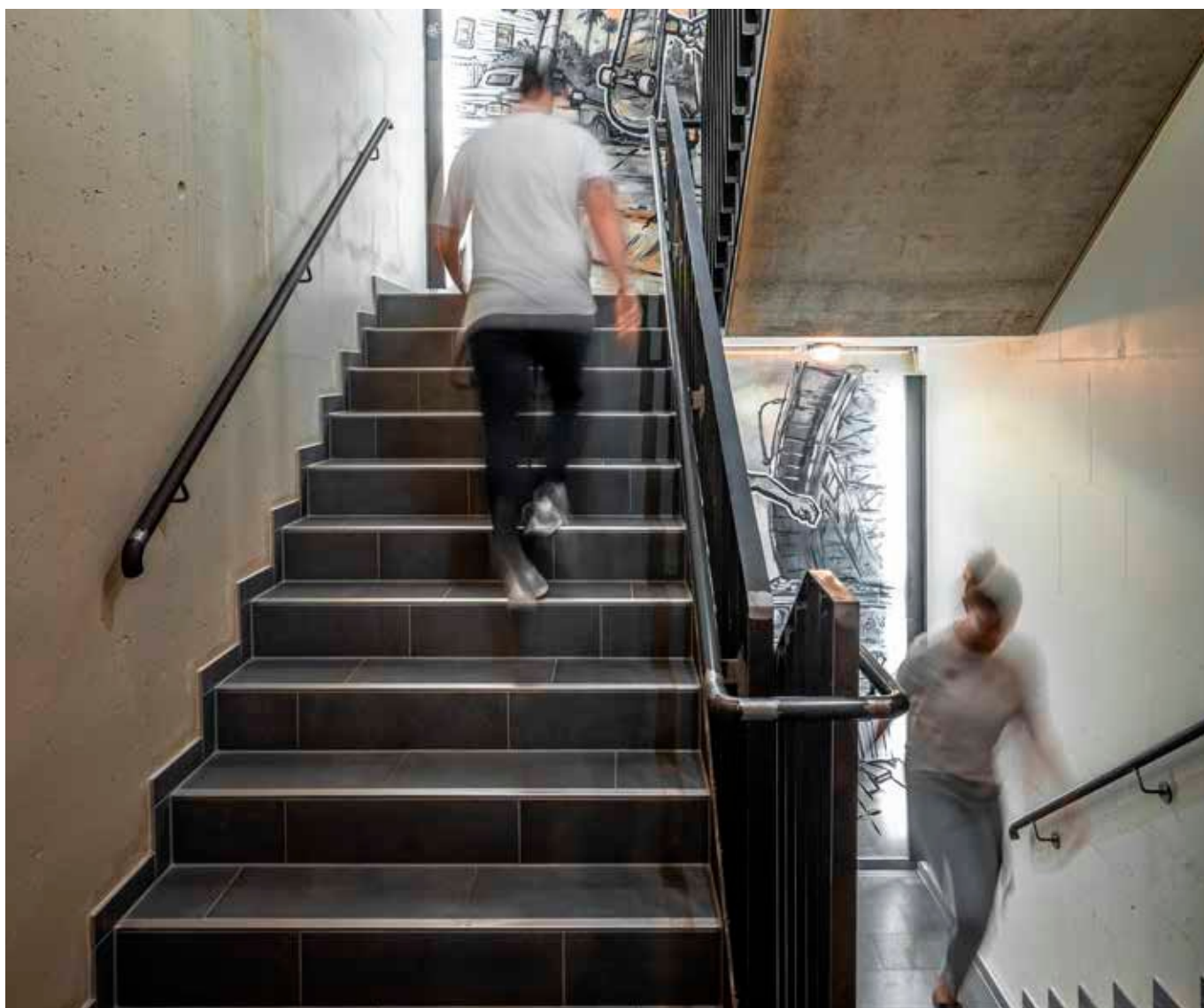
### Schlüter®-KERDI-FIX

collante sigillante

Contenuto (ml)	Cod. Art.	CHF / pz	crt. (pz.)
290	KERDIFIX / BW	<b>26,87</b>	12
290	KERDIFIX / G	<b>26,87</b>	12

#### Colori disponibili:

BW = bianco segnale  
G = grigio





## Profili Schlüter

Giunti di frazionamento, giunti di dilatazione, giunti strutturali, giunti e raccordi perimetrali

Con Schlüter-DILEX offriamo una gamma di prodotti che non necessitano di manutenzione e sono adatti per differenti soluzioni applicative. Questa gamma comprende giunti di frazionamento, giunti di dilatazione, giunti strutturali, giunti e raccordi perimetrali. I profili DILEX vengono installati contemporaneamente alla posa della ceramica. Sono disponibili con differenti finiture, che possono essere scelte in base alle diverse sollecitazioni meccaniche e chimiche a cui è sottoposto il rivestimento, e consentono persino la creazione di giunti di dilatazione quasi invisibili.



## Giunti di dilatazione

Schlüter®-DILEX-EDP	124
Schlüter®-DILEX-KS	125
Schlüter®-DILEX-EKSB	126
Schlüter®-DILEX-AKWS	126
Schlüter®-DILEX-BWB	127
Schlüter®-DILEX-BWS	127
Schlüter®-DILEX-F	129
Schlüter®-DILEX-EMP	152

## Giunti di dilatazione e profili decorativi

Schlüter®-DILEX-EZ 6 + 9	130
--------------------------	-----

## Giunti strutturali

Schlüter®-DILEX-BT	130
Schlüter®-DILEX-BTO	131
Schlüter®-DILEX-BTS	131
Schlüter®-DILEX-KSBT	132–133
Schlüter®-DILEX-BT/MT	134
Schlüter®-DILEX-BT/OT	134
Schlüter®-RENO-VT	134
Schlüter®-DILEX-BT/VTS	134

## Giunti di raccordo

Schlüter®-DILEX-KSA	136
Schlüter®-DILEX-BWA	137
Schlüter®-DILEX-AS	137

## Giunti per raccordi angolari

Schlüter®-DILEX-EF	138
Schlüter®-DILEX-EKE	138

## Giunti perimetrali

Schlüter®-DILEX-RF	139
Schlüter®-DILEX-EK	140

## Profili a sguscia per angoli interni

Schlüter®-DILEX-HK	141
Schlüter®-DILEX-HKW	142
Schlüter®-ECK-KHK	143
Schlüter®-DILEX-HKS	144
Schlüter®-DILEX-EHK	145
Schlüter®-DILEX-HKU	146–147
Schlüter®-DILEX-AHK-TS	148
Schlüter®-DILEX-AHK	149–150
Schlüter®-DILEX-AHKA	150–151

## Giunti di frazionamento

Schlüter®-DILEX-MP	152
Schlüter®-DILEX-MOP	153
Schlüter®-DILEX-DFP	153



# Schlüter®-DILEX

## Giunti di dilatazione

Una superficie piastrellata secondo le norme vigenti dev'essere suddivisa in campiture delimitate con giunti di dilatazione. Ecco cosa potete realizzare con i profili Schlüter-DILEX:

- ✓ Non richiedono alcuna manutenzione
- ✓ Installazione contemporanea alla posa del rivestimento
- ✓ Resistenti alle intemperie e agli sbalzi di temperatura
- ✓ Per uso in interno ed in esterno

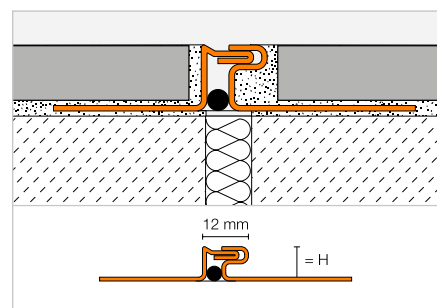


### Giunto di dilatazione

## Schlüter®-DILEX-EDP



Schlüter-DILEX-EDP è un giunto di dilatazione in acciaio inossidabile per compensare dilatazioni orizzontali.  
(Scheda tecnica 4.16)



### Schlüter®-DILEX-EDP

acciaio inossidabile V2A

H (mm)	L = 2,50 m Cod. Art.	CHF / m	cassa (pz.)
10	EDP 100	<b>45,89</b>	40
11	EDP 110	<b>46,33</b>	40
12,5	EDP 125	<b>47,12</b>	40
16	EDP 160	<b>48,87</b>	40
21	EDP 210	<b>51,22</b>	40

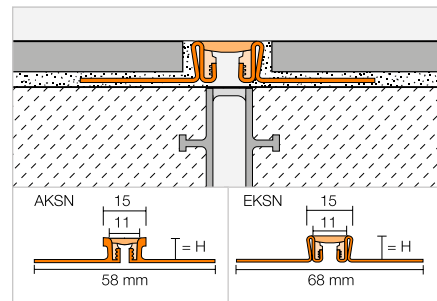
## Giunto di dilatazione

## Schlüter®-DILEX-KS



Schlüter-DILEX-KS è un giunto di dilatazione con alette di fissaggio laterali in alluminio o in acciaio inossidabile, con parte dilatante a vista in gomma sostituibile.

(Scheda tecnica 4.8)



## Schlüter®-DILEX-AKSN

alluminio

H (mm)	L = 2,50 m Cod. Art.	CHF / m	cassa (pz.)
8	AKSN 80 ...*	23,89	40
10	AKSN 100 ...*	24,63	40
11	AKSN 110 ...*	25,07	40
12,5	AKSN 125 ...*	25,49	40
14	AKSN 140 ...*	26,63	40
16	AKSN 160 ...*	28,59	40

## Schlüter®-DILEX-EKSN

acciaio inossidabile V2A

H (mm)	L = 2,50 m Cod. Art.	CHF / m	cassa (pz.)
8	EKSN 80 ...*	48,33	40
10	EKSN 100 ...*	48,87	40
11	EKSN 110 ...*	49,34	40
12,5	EKSN 125 ...*	50,43	40
14	EKSN 140 ...*	51,30	40
16	EKSN 160 ...*	52,73	40
18,5	EKSN 185 ...*	54,05	40
21	EKSN 210 ...*	55,48	40
25	EKSN 250 ...*	58,11	40
30	EKSN 300 ...*	60,66	40

## Schlüter®-DILEX-EKSN V4A

acciaio inossidabile V4A

H (mm)	L = 2,50 m Cod. Art.	CHF / m	cassa (pz.)
8	EKSN 80 ...* / V4A	53,15	40
10	EKSN 100 ...* / V4A	53,78	40
11	EKSN 110 ...* / V4A	54,46	40
12,5	EKSN 125 ...* / V4A	55,48	40
14	EKSN 140 ...* / V4A	56,41	40
16	EKSN 160 ...* / V4A	57,99	40

## Accessori

## Schlüter®-DILEX-KS/EL

gomma sostituibile (pezzo di ricambio)

L = 2,50 m Cod. Art.	CHF / m	cassa (pz.)
KSE / ...*	5,60	40



KS/EL

## Schlüter®-DILEX-KS/K

giunzione a croce (150 x 150 mm)

Cod. Art.	CHF / pz	crt. (pz.)
KS EK / ...*	25,09	50

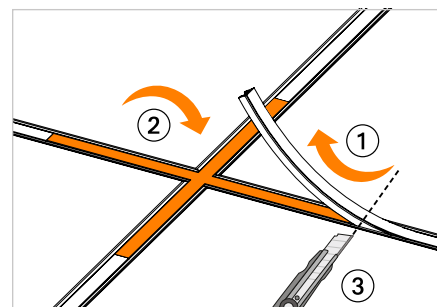
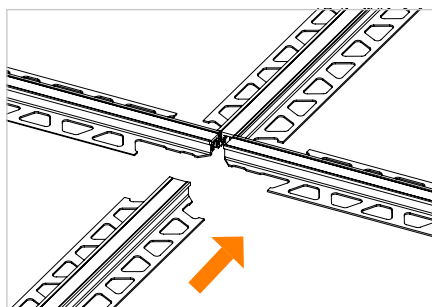
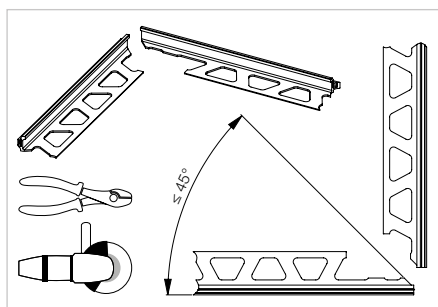


Completare il Cod. Art. con il colore (ad es. KSE / PG)



\* Colori disponibili: C - DA - FG - G - GS - HB - PG - SG

A pagina 340 e segg. è disponibile una panoramica delle finiture e dei colori.



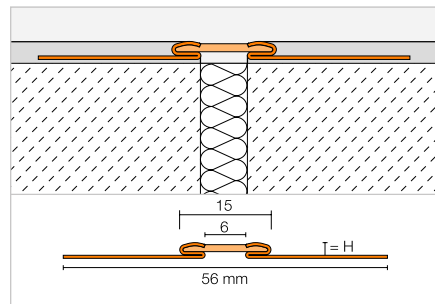


## Giunto di dilatazione

### Schlüter®-DILEX-EKSB



Schlüter-DILEX-EKSB è un giunto di dilatazione adatto per proteggere gli spigoli delle piastrelle o di altri materiali da rivestimento particolarmente sottili. E' composto da alette di fissaggio laterali e da una parte dilatante in gomma sintetica non sostituibile.  
(Scheda tecnica 4.8)



#### Schlüter®-DILEX-EKSB

acciaio inossidabile V2A

H (mm)	L = 2,50 m Cod. Art.	CHF / m	cassa (pz.)
2,5	EKSB 25 ...*	<b>36,97</b>	40
4,5	EKSB 45 ...*	<b>38,73</b>	40
6	EKSB 60 ...*	<b>40,32</b>	40

Completare il Cod. Art. con il colore (ad es. EKSB 25 PG)



\* Colori disponibili: G - GS - HB - PG

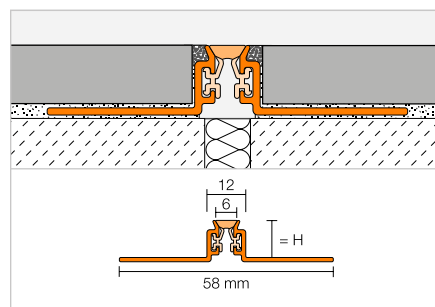
A pagina 340 e segg. è disponibile una panoramica delle finiture e dei colori.

## Giunto di dilatazione

### Schlüter®-DILEX-AKWS



Schlüter-DILEX-AKWS è un giunto di dilatazione con una zona centrale in materiale sintetico morbido racchiusa da sottili parti laterali in alluminio a vista che offrono una protezione meccanica del bordo del rivestimento per un traffico non intenso.  
(Scheda tecnica 4.18)



#### Schlüter®-DILEX-AKWS

alluminio

H (mm)	L = 2,50 m Cod. Art.	CHF / m	cassa (pz.)
10	AKWS 100 ...*	<b>23,38</b>	60
11	AKWS 110 ...*	<b>23,63</b>	60
12,5	AKWS 125 ...*	<b>24,11</b>	60
14	AKWS 140 ...*	<b>24,53</b>	60
16	AKWS 160 ...*	<b>24,83</b>	60
21	AKWS 210 ...*	<b>25,69</b>	60

Completare il Cod. Art. con il colore (ad es. AKWS 100 PG)



\* Colori disponibili: G - GS - HB - PG

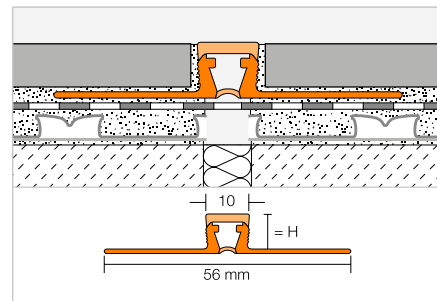
A pagina 340 e segg. è disponibile una panoramica delle finiture e dei colori.

## Giunto di dilatazione

## Schlüter®-DILEX-BWB



Schlüter-DILEX-BWB è un giunto di dilatazione prefabbricato con parti laterali in PVC rigido. La parte superiore del giunto di dilatazione è in CPE, larga solo 10 mm.  
(Scheda tecnica 4.6)



## Schlüter®-DILEX-BWB

PVC / CPE

H (mm)	L = 2,50 m Cod. Art.	CHF / m	cassa (pz.)
6	BWB 60 ...*	<b>8,35</b>	60
8	BWB 80 ...**	<b>8,51</b>	60
10	BWB 100 ...**	<b>8,69</b>	60
12,5	BWB 125 ...**	<b>9,03</b>	60
15	BWB 150 ...***	<b>10,34</b>	60
20	BWB 200 ...***	<b>11,11</b>	60

Completare il Cod. Art. con il colore (ad es. BWB 60 G)



\* Colori disponibili: BW - C - DA - FG - G - GS - HB - PG - SG

\*\* Colori disponibili: BW - C - DA - FG - G - GS - HB - PG - SG - SP

\*\*\* Colori disponibili: G

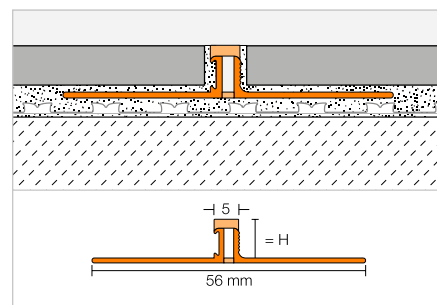
A pagina 340 e segg. è disponibile una panoramica delle finiture e dei colori.

## Giunto di dilatazione

## Schlüter®-DILEX-BWS



Schlüter-DILEX-BWS è un giunto di dilatazione con le alette in PVC. La parte superiore del giunto di dilatazione è in CPE particolarmente sottile, larga solo 5 mm.  
(Scheda tecnica 4.7)



## Schlüter®-DILEX-BWS

PVC / CPE

H (mm)	L = 2,50 m Cod. Art.	CHF / m	cassa (pz.)
4,5	BWS 45 ...*	<b>7,69</b>	120
6	BWS 60 ...**	<b>7,69</b>	120
8	BWS 80 ...*	<b>7,69</b>	120
9	BWS 90 ...*	<b>8,15</b>	120
10	BWS 100 ...*	<b>8,15</b>	120
11	BWS 110 ...*	<b>8,15</b>	120
12,5	BWS 125 ...*	<b>8,15</b>	120

Completare il Cod. Art. con il colore (ad es. BWS 45 HB)



\* Colori disponibili: BW - C - DA - FG - G - GS - HB - PG - SG - SP

\*\* Colori disponibili: BW - C - DA - FG - G - GS - HB - PG - SG

A pagina 340 e segg. è disponibile una panoramica delle finiture e dei colori.



# Schlüter®-DILEX-F

## Un piccolo giunto di grande classe

Schlüter-DILEX-F è un giunto di dilatazione quasi invisibile, per superfici in interno soggette a traffico pedonale. Nonostante il design estremamente sottile, compensa i movimenti abituali dei pavimenti piastrellati. Questo sistema permette di creare un giunto di dilatazione, indispensabile dal punto di vista tecnico, poco invasivo e praticamente indistinguibile da una fuga cementizia. Viene garantita quindi un'estetica accattivante e discreta.

DILEX-F è composto dal profilo Schlüter-DILEX-FCS e dall'inserto Schlüter-DILEX-FIS, disponibile in rotoli in 10 colori. Oltre all'aspetto discreto, il sistema offre ulteriori vantaggi: La superficie antisporcio dell'inserto rende il giunto particolarmente facile da pulire, il filo di nylon integrato impedisce variazioni indesiderate della lunghezza dell'inserto e l'ausilio di montaggio in dotazione consente un'installazione facile e veloce nel profilo. Nascono così giunti di dilatazione sottili e continui, senza interruzioni.

- ✓ Il primo profilo per giunto di dilatazione che si abbina alle fughe cementizie
- ✓ Fughe sottili su tutta la superficie
- ✓ Inserto per posa continua (materiale in rotoli)
- ✓ Inserto in silicone platinico con tecnologia antisporcio
- ✓ Nessuna variazione della lunghezza dell'inserto grazie alla protezione integrata
- ✓ Profilo con copertura protettiva temporanea
- ✓ Campi di applicazione:
  - abitazioni
  - uffici
  - autosaloni
  - aree commerciali(senza passaggio di carrelli elevatori o carrelli della spesa)





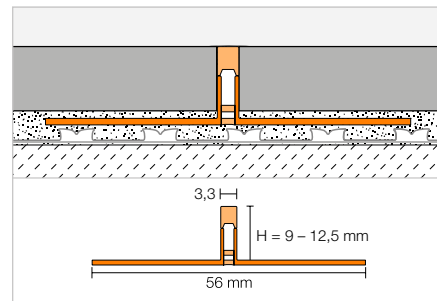
## Giunto di dilatazione

## Schlüter®-DILEX-FCS



Schlüter-DILEX-FCS è un profilo con lati in PVC rigido rigenerato che funge da alloggiamento per l'inserto Schlüter-DILEX-FIS, per creare un giunto di soli 3,5 mm di larghezza, senza protezione dei bordi e senza stuccatura cementizia fra giunto e rivestimento. DILEX-FCS viene fornito con una copertura protettiva integrata da rimuovere dopo la posa delle piastrelle per accogliere l'inserto Schlüter-DILEX-FIS.

(Scheda tecnica 4.23)

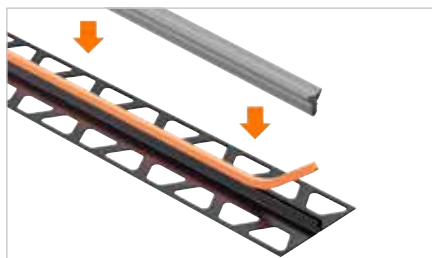


## Schlüter®-DILEX-FCS



profilo di alloggiamento PVC/CPE

H (mm)	L = 2,50 m Cod. Art.	CHF / m	cassa (pz.)
9	FCS 90	5,34	120
10	FCS 100	5,34	120
11	FCS 110	5,34	120
12,5	FCS 125	5,34	120



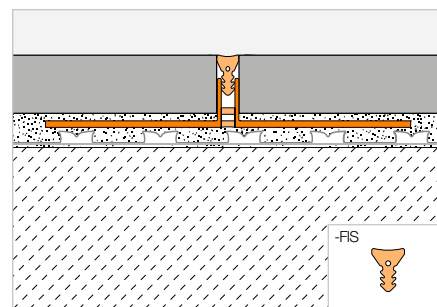
## Inserto

## Schlüter®-DILEX-FIS



Schlüter-DILEX-FIS è un inserto in materiale siliconico catalizzato al platino, fornito in rotolo, per giunti di dilatazione sottili con una superficie visibile di circa 3,5 mm. È disponibile nei colori comunemente utilizzati per le fughe, elencati di seguito. L'inserto viene inserito in leggera compressione, in modo rapido e uniforme nel profilo Schlüter-DILEX-FCS precedentemente installato, utilizzando l'ausilio di installazione in dotazione. Variazioni involontarie di lunghezza sono impediti dalla protezione integrata.

(Scheda tecnica 4.23)



## Schlüter®-DILEX-FIS



inserto

L (m)	Cod. Art.	CHF / m	crt. (rotoli)
30	FIS 300 ...*	8,44	10

## Nota:

L'ausilio di montaggio è incluso nella fornitura.



Completare il Cod. Art. con il colore (ad es. FIS 300 C)



\* Colori disponibili: BW - C - DA - FG - G - GS - HB - PG - SG - SP

A pagina 340 e segg. è disponibile una panoramica delle finiture e dei colori.



## Nota:

La documentazione di supporto per Schlüter-DILEX-F è disponibile nell'area download.

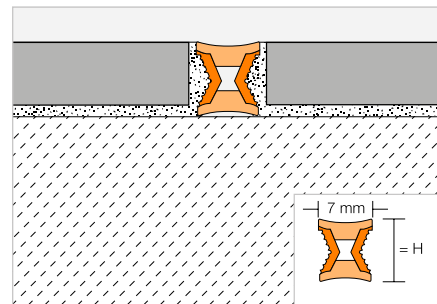


## Giunto di dilatazione e profilo decorativo

### Schlüter®-DILEX-EZ 6 + 9



Schlüter-DILEX-EZ 6 e 9 sono profili decorativi. Fungono anche da giunti di dilatazione nei rivestimenti in piastrelle e pietre naturali. (Scheda tecnica 4.1)



#### Schlüter®-DILEX-EZ 6

PVC

H (mm)	L = 2,50 m Cod. Art.	CHF / m	cassa (pz.)
6	EZ C/CG 6	5,77	120
6	EZ M/G 6	5,77	120

#### Schlüter®-DILEX-EZ 9

PVC

H (mm)	L = 2,50 m Cod. Art.	CHF / m	cassa (pz.)
9	EZ C/CG 9	6,36	120
9	EZ M/G 9	6,36	120

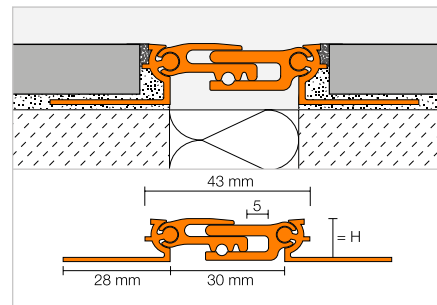
C/CG = inserto cromato / giallo  
M/G = inserto in ottone / grigio

## Giunti strutturali

### Schlüter®-DILEX-BT



Schlüter-DILEX-BT è un giunto strutturale in alluminio con connessione centrale della parte telescopica. Questo consente l'assorbimento del movimento tridimensionale. (Scheda tecnica 4.20)



#### Schlüter®-DILEX-BT-A

alluminio

H (mm)	L = 2,50 m Cod. Art.	CHF / m	cassa (pz.)
8	ABT 80	46,31	40
10	ABT 100	46,92	40
12,5	ABT 125	48,07	40
15	ABT 150	48,53	40
17,5	ABT 175	49,28	40
20	ABT 200	50,76	40

#### Schlüter®-DILEX-BT-AE

alluminio anodizzato

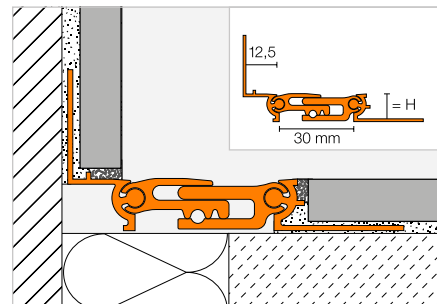
H (mm)	L = 2,50 m Cod. Art.	CHF / m	cassa (pz.)
8	AEBT 80	65,11	40
10	AEBT 100	66,17	40
12,5	AEBT 125	67,48	40
15	AEBT 150	68,54	40
17,5	AEBT 175	69,91	40
20	AEBT 200	73,45	40

## Giunti strutturali

## Schlüter®-DILEX-BTO



Schlüter-DILEX-BTO è un giunto strutturale in alluminio adatto per essere utilizzato tra pavimento e parete. La connessione del giunto nella sezione centrale consente l'assorbimento tridimensionale del movimento.  
(Scheda tecnica 4.20)



## Schlüter®-DILEX-BTO-A

alluminio

H (mm)	L = 2,50 m Cod. Art.	CHF / m	cassa (pz.)
8	ABT 80/O 125	<b>47,46</b>	40
10	ABT 100/O 125	<b>47,79</b>	40
12,5	ABT 125/O 125	<b>48,29</b>	40
15	ABT 150/O 125	<b>48,53</b>	40
17,5	ABT 175/O 125	<b>48,89</b>	40
20	ABT 200/O 125	<b>49,71</b>	40

## Schlüter®-DILEX-BTO-AE

alluminio anodizzato

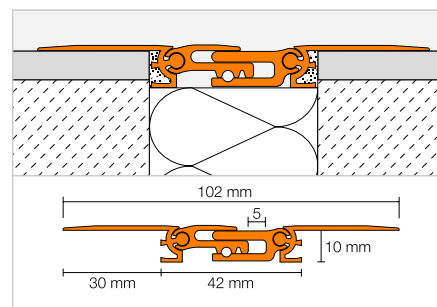
H (mm)	L = 2,50 m Cod. Art.	CHF / m	cassa (pz.)
8	AEBT 80/O 125	<b>67,19</b>	40
10	AEBT 100/O 125	<b>67,71</b>	40
12,5	AEBT 125/O 125	<b>68,35</b>	40
15	AEBT 150/O 125	<b>68,89</b>	40
17,5	AEBT 175/O 125	<b>69,64</b>	40
20	AEBT 200/O 125	<b>71,35</b>	40

## Giunti strutturali

## Schlüter®-DILEX-BTS



Schlüter-DILEX-BTS è un giunto strutturale telescopico da applicarsi a posa del rivestimento ultimata. La connessione del giunto nella sezione centrale consente l'assorbimento tridimensionale del movimento.  
(Scheda tecnica 4.20)



## Schlüter®-DILEX-BTS-A

alluminio

H (mm)	L = 2,50 m Cod. Art.	CHF / m	cassa (pz.)
10	ABTS 100	<b>48,07</b>	60

## Schlüter®-DILEX-BTS-AE

alluminio anodizzato

H (mm)	L = 2,50 m Cod. Art.	CHF / m	cassa (pz.)
10	AEBTS 100	<b>67,48</b>	60



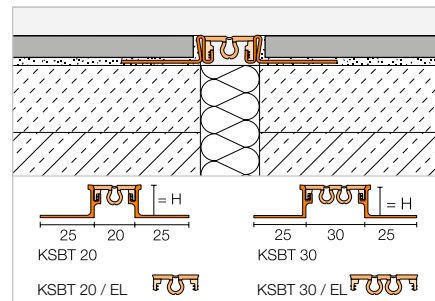
## Giunti strutturali

### Schlüter®-DILEX-KSBT



Schlüter-DILEX-KSBT è un profilo con alette di fissaggio laterali in alluminio o in acciaio inossidabile, con parte dilatante a vista in gomma sostituibile di 20 o 30 mm, per la chiusura di un giunto e con funzione di protezione laterale del bordo piastrella.

(Scheda tecnica 4.19)



#### Schlüter®-DILEX-AKSBT 20

alluminio

H (mm)	L = 2,50 m Cod. Art.	CHF / m	cassa (pz.)
8	AKS 80 BT 20 ...*	<b>26,38</b>	40
10	AKS 100 BT 20 ...*	<b>27,10</b>	40
11	AKS 110 BT 20 ...*	<b>27,47</b>	40
12,5	AKS 125 BT 20 ...*	<b>27,97</b>	40
14	AKS 140 BT 20 ...*	<b>29,12</b>	40

#### Schlüter®-DILEX-EKSBT 20

acciaio inossidabile V2A

H (mm)	L = 2,50 m Cod. Art.	CHF / m	cassa (pz.)
8	KS V2A 80 BT 20 ...*	<b>50,86</b>	40
10	KS V2A 100 BT 20 ...*	<b>51,38</b>	40
11	KS V2A 110 BT 20 ...*	<b>52,43</b>	40
12,5	KS V2A 125 BT 20 ...*	<b>52,90</b>	40
14	KS V2A 140 BT 20 ...*	<b>53,84</b>	40
16	KS V2A 160 BT 20 ...*	<b>55,24</b>	40
18,5	KS V2A 185 BT 20 ...*	<b>56,57</b>	40
21	KS V2A 210 BT 20 ...*	<b>58,00</b>	40
25	KS V2A 250 BT 20 ...*	<b>60,66</b>	40
30	KS V2A 300 BT 20 ...*	<b>63,17</b>	40

#### Schlüter®-DILEX-EKSBT 20 V4A

acciaio inossidabile V4A

H (mm)	L = 2,50 m Cod. Art.	CHF / m	cassa (pz.)
8	KS V4A 80 BT 20 ...*	<b>55,93</b>	40
10	KS V4A 100 BT 20 ...*	<b>56,57</b>	40
11	KS V4A 110 BT 20 ...*	<b>57,39</b>	40
12,5	KS V4A 125 BT 20 ...*	<b>58,23</b>	40
14	KS V4A 140 BT 20 ...*	<b>59,21</b>	40
16	KS V4A 160 BT 20 ...*	<b>60,77</b>	40

#### Schlüter®-DILEX-AKSBT 30

alluminio

H (mm)	L = 2,50 m Cod. Art.	CHF / m	cassa (pz.)
8	AKS 80 BT 30 ...*	<b>28,84</b>	40
10	AKS 100 BT 30 ...*	<b>29,56</b>	40
11	AKS 110 BT 30 ...*	<b>30,16</b>	40
12,5	AKS 125 BT 30 ...*	<b>30,41</b>	40
14	AKS 140 BT 30 ...*	<b>31,59</b>	40

#### Schlüter®-DILEX-EKSBT 30

acciaio inossidabile V2A

H (mm)	L = 2,50 m Cod. Art.	CHF / m	cassa (pz.)
8	KS V2A 80 BT 30 ...*	<b>53,43</b>	40
10	KS V2A 100 BT 30 ...*	<b>53,93</b>	40
11	KS V2A 110 BT 30 ...*	<b>54,90</b>	40
12,5	KS V2A 125 BT 30 ...*	<b>55,48</b>	40
14	KS V2A 140 BT 30 ...*	<b>56,36</b>	40
16	KS V2A 160 BT 30 ...*	<b>57,85</b>	40
18,5	KS V2A 185 BT 30 ...*	<b>59,12</b>	40
21	KS V2A 210 BT 30 ...*	<b>60,56</b>	40
25	KS V2A 250 BT 30 ...*	<b>63,17</b>	40
30	KS V2A 300 BT 30 ...*	<b>65,72</b>	40

#### Schlüter®-DILEX-EKSBT 30 V4A

acciaio inossidabile V4A

H (mm)	L = 2,50 m Cod. Art.	CHF / m	cassa (pz.)
8	KS V4A 80 BT 30 ...*	<b>58,72</b>	40
10	KS V4A 100 BT 30 ...*	<b>59,32</b>	40
11	KS V4A 110 BT 30 ...*	<b>60,16</b>	40
12,5	KS V4A 125 BT 30 ...*	<b>61,03</b>	40
14	KS V4A 140 BT 30 ...*	<b>62,02</b>	40
16	KS V4A 160 BT 30 ...*	<b>63,59</b>	40

Completare il Cod. Art. con il colore (ad es. KS V4A 80 BT 30 GS)



\* Colori disponibili: C - DA - FG - G - GS - HB - SG

A pagina 340 e segg. è disponibile una panoramica delle finiture e dei colori.

## Accessori per KSBT 20

### Schlüter®-DILEX-KSBT 20/K

giunzione a croce (200 x 200 mm)

Cod. Art.	CHF / pz	crt. (pz.)
KSG 20 K / ...*	26,38	50



### Schlüter®-DILEX-KSBT 20/EL

gomma sostituibile (pezzo di ricambio)

L = 2,50 m Cod. Art.	CHF / m	cassa (pz.)
KSG 20 ...*	9,13	40

## Accessori per KSBT 30

### Schlüter®-DILEX-KSBT 30/K

giunzione a croce (200 x 200 mm)

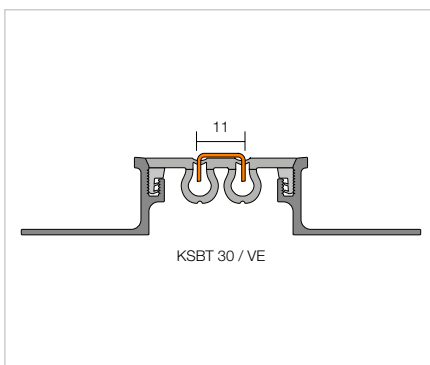
Cod. Art.	CHF / pz	crt. (pz.)
KSG 30 K / ...*	27,10	50



### Schlüter®-DILEX-KSBT 30/VE

rinforzo portante  
in acciaio inossidabile V2A spazzolato

L = 2,50 m Cod. Art.	CHF / m	cassa (pz.)
KSBT VE	21,76	40



### Schlüter®-DILEX-KSBT 30/EL

gomma sostituibile (pezzo di ricambio)

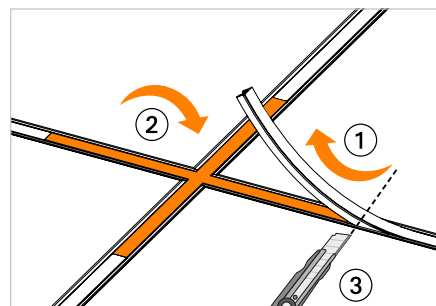
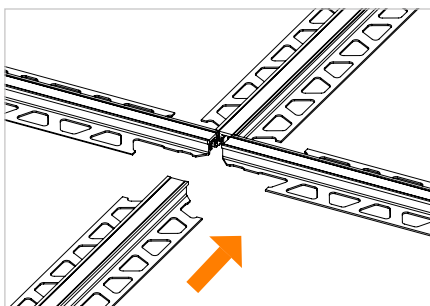
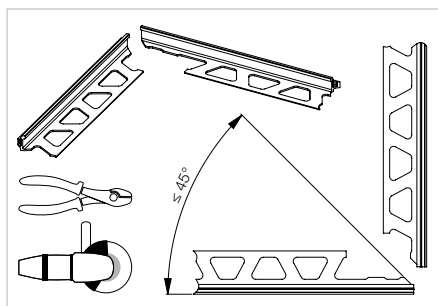
L = 2,50 m Cod. Art.	CHF / m	cassa (pz.)
KSG 30 ...*	10,71	40

Completare il Cod. Art. con il colore (ad es. KSG 30 GS)



\* Colori disponibili: C - DA - FG - G - GS - HB - SG

A pagina 340 e segg. è disponibile una panoramica delle finiture e dei colori.





## Giunti strutturali

### Schlüter®-DILEX-BT/MT

Schlüter-DILEX-BT/MT è la parte telescopica del giunto e può essere combinata a piacere in qualsiasi misura con Schlüter-DILEX-BT/OT o -RENO-VT.

(Scheda tecnica 4.20)

#### Schlüter®-DILEX-BT-A/MT

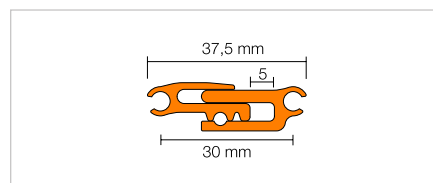
parte telescopica  
in alluminio

B (mm)	L = 2,50 m Cod. Art.	CHF / m	cassa (pz.)
37,5	ABT 30 MT	25,32	60

#### Schlüter®-DILEX-BT-AE/MT

parte telescopica  
in alluminio anodizzato

B (mm)	L = 2,50 m Cod. Art.	CHF / m	cassa (pz.)
37,5	AEBT 30 MT	37,19	60



### Schlüter®-DILEX-BT/OT

Schlüter-DILEX-BT/OT è il profilo di raccordo a parete del giunto strutturale che si può combinare con Schlüter-DILEX-BT/MT e -RENO-VT di qualsiasi dimensione.

(Scheda tecnica 4.20)

#### Schlüter®-DILEX-BT-A/OT

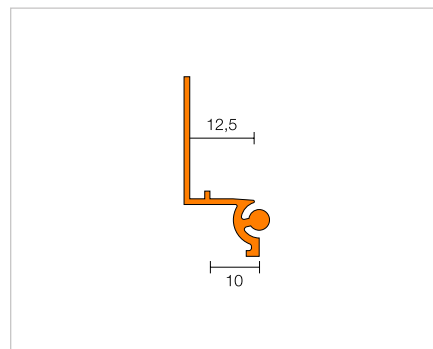
profilo in alluminio,  
raccordo a parete

H (mm)	L = 2,50 m Cod. Art.	CHF / m	cassa (pz.)
12,5	ABTO 125	9,48	60

#### Schlüter®-DILEX-BT-AE/OT

profilo in alluminio anodizzato,  
raccordo a parete

H (mm)	L = 2,50 m Cod. Art.	CHF / m	cassa (pz.)
12,5	AEBTO 125	13,16	60



### Schlüter®-RENO-VT

Schlüter-RENO-VT è il profilo di raccordo a pavimento del giunto strutturale che si può combinare con Schlüter-DILEX-BT/MT e -BT/OT di qualsiasi dimensione.

(Scheda tecnica 1.7)

#### Schlüter®-RENO-AVT

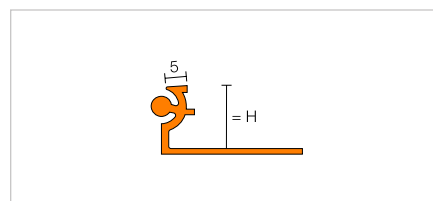
profilo di raccordo a pavimento  
in alluminio

H (mm)	L = 2,50 m Cod. Art.	CHF / m	cassa (pz.)
8	AVT 80	8,55	60
10	AVT 100	9,05	60
12,5	AVT 125	9,48	60
15	AVT 150	9,76	60
17,5	AVT 175	10,17	60
20	AVT 200	10,93	60

#### Schlüter®-RENO-AEVT

profilo di raccordo a pavimento  
in alluminio anodizzato

H (mm)	L = 2,50 m Cod. Art.	CHF / m	cassa (pz.)
8	AEVT 80	11,44	60
10	AEVT 100	12,01	60
12,5	AEVT 125	12,63	60
15	AEVT 150	13,30	60
17,5	AEVT 175	13,93	60
20	AEVT 200	15,75	60



#### Nota:

Il profilo portante VT viene impiegato anche nella gamma Schlüter-RENO-V come profilo portante variabile (vedi pagina 47).

### Schlüter®-DILEX-BT/VTS

Schlüter-DILEX-BT/VTS è il profilo di raccordo del giunto strutturale che si può combinare a piacere con Schlüter-DILEX-BT/MT.

(Scheda tecnica 4.20)

#### Schlüter®-DILEX-BT-A/VTS

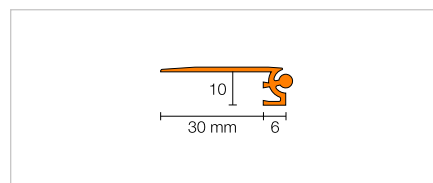
profilo di raccordo  
in alluminio, a pavimento

H (mm)	L = 2,50 m Cod. Art.	CHF / m	cassa (pz.)
10	AVTS 100	9,48	60

#### Schlüter®-DILEX-BT-AE/VTS

profilo di raccordo  
in alluminio anodizzato, a pavimento

H (mm)	L = 2,50 m Cod. Art.	CHF / m	cassa (pz.)
10	AEVTS 100	12,63	60



# Giunti e raccordi perimetrali Schlüter

## Igiene ed eleganza

I giunti di deformazione Schlüter-DILEX compensano le dilatazioni ed i movimenti di diversa natura che una struttura edile subisce durante il suo esercizio. Inoltre, i giunti possono interrompere eventuali ponti acustici e creare un pratico raccordo tra diversi elementi. Schlüter-Systems offre diverse soluzioni:

- ✓ Disponibili in diversi materiali
- ✓ Capacità assorbimento movimenti certificata
- ✓ Con parti dilatanti intercambiabili
- ✓ Con o senza sguscia
- ✓ Durevole e senza manutenzione





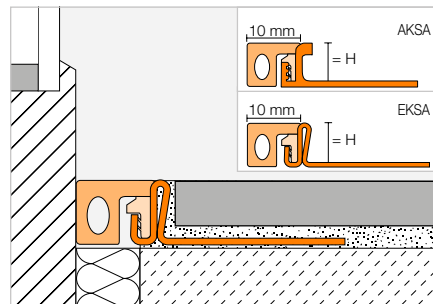
## Giunti di raccordo

### Schlüter®-DILEX-KSA



Schlüter-DILEX-KSA è un elegante giunto perimetrale che protegge i bordi delle piastrelle. E' costituito da un'aletta laterale in alluminio o acciaio inossidabile, collegata ad una zona rimovibile in morbida gomma. Viene utilizzato in prossimità di elementi fissi (es. gli infissi).

(Scheda tecnica 4.8)



#### Schlüter®-DILEX-AKSA

alluminio

H (mm)	L = 2,50 m Cod. Art.	CHF / m	cassa (pz.)
8	AKSA 80 ...*	<b>14,29</b>	40
10	AKSA 100 ...*	<b>14,80</b>	40
11	AKSA 110 ...*	<b>15,05</b>	40
12,5	AKSA 125 ...*	<b>15,32</b>	40
14	AKSA 140 ...*	<b>16,03</b>	40

#### Schlüter®-DILEX-EKSA

acciaio inossidabile V2A

H (mm)	L = 2,50 m Cod. Art.	CHF / m	cassa (pz.)
8	EKSA 80 ...*	<b>28,99</b>	40
10	EKSA 100 ...*	<b>29,27</b>	40
11	EKSA 110 ...*	<b>29,77</b>	40
12,5	EKSA 125 ...*	<b>30,23</b>	40
14	EKSA 140 ...*	<b>30,84</b>	40
16	EKSA 160 ...*	<b>31,63</b>	40
18,5	EKSA 185 ...*	<b>32,41</b>	40
21	EKSA 210 ...*	<b>33,26</b>	40
25	EKSA 250 ...*	<b>34,88</b>	40
30	EKSA 300 ...*	<b>36,38</b>	40

#### Schlüter®-DILEX-EKSA V4A

acciaio inossidabile V4A

H (mm)	L = 2,50 m Cod. Art.	CHF / m	cassa (pz.)
8	EKSA 80 ...* / V4A	<b>31,93</b>	40
10	EKSA 100 ...* / V4A	<b>32,27</b>	40
11	EKSA 110 ...* / V4A	<b>32,78</b>	40
12,5	EKSA 125 ...* / V4A	<b>33,26</b>	40
14	EKSA 140 ...* / V4A	<b>33,84</b>	40
16	EKSA 160 ...* / V4A	<b>34,81</b>	40

## Accessori

### Schlüter®-DILEX-KSA/EL

gomma sostituibile (pezzo di ricambio)

L = 2,50 m Cod. Art.	CHF / m	cassa (pz.)
KSAE / ...*	<b>5,60</b>	40



Completare il Cod. Art. con il colore (ad es. KSAE / GS)



\* Colori disponibili: G - GS - HB - PG

A pagina 340 e segg. è disponibile una panoramica delle finiture e dei colori.



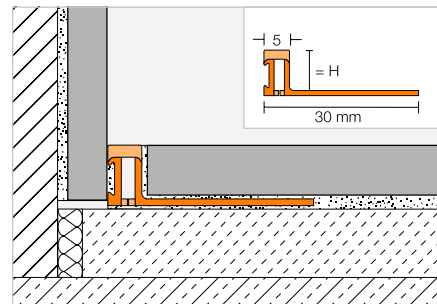
## Giunti di raccordo

## Schlüter®-DILEX-BWA



Schlüter-DILEX-BWA è un giunto perimetrale particolarmente sottile, con una sola aletta, adatto per raccordare un rivestimento con porte e finestre, soglie in marmo o come "appoggio" per battiscopa o rivestimenti a pavimentazione ultimata.

(Scheda tecnica 4.9)



## Schlüter®-DILEX-BWA

PVC / CPE

H (mm)	L = 2,50 m Cod. Art.	CHF / m	cassa (pz.)
4,5	BWA 45 ...*	<b>7,62</b>	120
6	BWA 60 ...*	<b>7,69</b>	120
8	BWA 80 ...*	<b>7,79</b>	120
10	BWA 100 ...*	<b>8,01</b>	120
12,5	BWA 125 ...*	<b>8,25</b>	120

Completare il Cod. Art. con il colore (ad es. BWA 45 G)



\* Colori disponibili: BW - C - DA - FG - G - GS - HB - PG - SG

A pagina 340 e segg. è disponibile una panoramica delle finiture e dei colori.

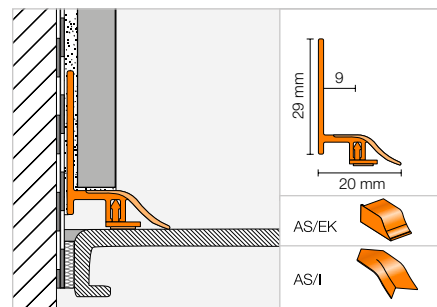
## Giunti di raccordo

## Schlüter®-DILEX-AS



Schlüter-DILEX-AS è un giunto perimetrale in materiale plastico flessibile, particolarmente adatto per raccordare il rivestimento al piatto doccia, alla vasca da bagno ed ai lavabi. Il giunto pone un'importante barriera all'acqua e grazie al suo sistema ad incastro riesce a compensare i diversi movimenti tra rivestimento e sanitario.

(Scheda tecnica 4.10)



## Schlüter®-DILEX-AS

PVC

L = 2,50 m Cod. Art.	CHF / m	cassa (pz.)
AS 20 BW	<b>11,17</b>	90

## Angolo | Terminale

## Schlüter®-DILEX-AS/I

angolo interno 90°

Cod. Art.	CHF / pz	crt. (pz.)
I / AS 20 BW	<b>1,70</b>	10

## Schlüter®-DILEX-AS/EK

terminale

Cod. Art.	CHF / kit	conf. (set)
EK / AS 20 BW	<b>3,37</b>	10

Kit = 1 x sinistra, 1 x destra



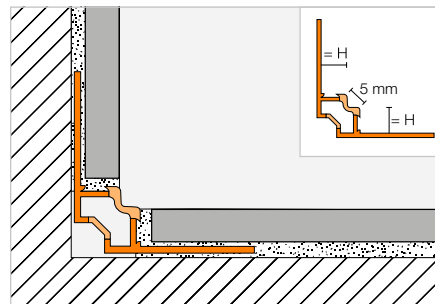
## Giunto per raccordo angolare

### Schlüter®-DILEX-EF



Schlüter-DILEX-EF è un giunto perimetrale, con piccola sguscia arrotondata, per raccordare angoli interni di pareti, di pavimenti e di rivestimenti.

(Scheda tecnica 4.13)



#### Schlüter®-DILEX-EF

PVC / CPE

H (mm)	L = 2,50 m Cod. Art.	CHF / m	cassa (pz.)
8	EF 80 ...*	<b>8,30</b>	60
10	EF 100 ...*	<b>8,30</b>	60
12,5	EF 125 ...*	<b>8,30</b>	60
15	EF 150 ...*	<b>8,30</b>	60

Completare il Cod. Art. con il colore (ad es. EF 80 G)



\* Colori disponibili: BW - G - HB - PG - SP

A pagina 340 e segg. è disponibile una panoramica delle finiture e dei colori.

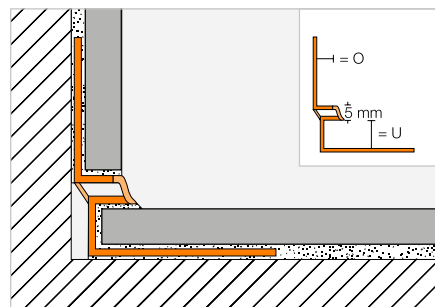
## Giunto per raccordo angolare

### Schlüter®-DILEX-EKE



Schlüter-DILEX-EKE è un giunto perimetrale adatto a raccordare sia angoli interni di pareti che angoli interni tra pavimenti e pareti. Questo profilo dispone di un labbro per coprire il lato tagliato della piastrella.

(Scheda tecnica 4.13)



#### Schlüter®-DILEX-EKE

PVC / CPE, 0 = mm

U (mm)	L = 2,50 m Cod. Art.	CHF / m	cassa (pz.)
8	EKE U 8 / 0 7 ...*	<b>8,30</b>	60
9	EKE U 9 / 0 8 ...*	<b>8,30</b>	60
11	EKE U 11 / 0 10 ...*	<b>8,30</b>	60
13	EKE U 13 / 0 12 ...*	<b>8,30</b>	60
15	EKE U 15 / 0 14 ...*	<b>8,30</b>	60

Completare il Cod. Art. con il colore (ad es. EKE U 8 / 0 7 G)



\* Colori disponibili: BW - G - GS - HB - PG - SP

A pagina 340 e segg. è disponibile una panoramica delle finiture e dei colori.

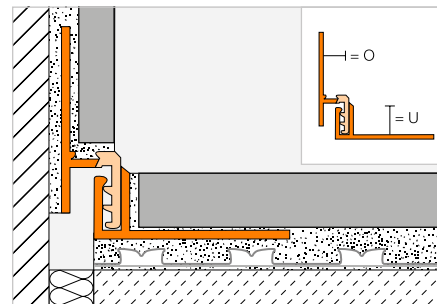
## Giunto perimetrale

## Schlüter®-DILEX-RF



Schlüter-DILEX-RF è un giunto perimetrale, particolarmente sottile, per raccordare perfettamente il pavimento al rivestimento o al battiscopa.

(Scheda tecnica 4.14)



## Schlüter®-DILEX-RF

PVC / CPE, 0 = 8 mm

U (mm)	L = 2,50 m Cod. Art.	CHF / m	cassa (pz.)
10	RF U 100 / 0 80 ...*	<b>14,29</b>	60
12,5	RF U 125 / 0 80 ...*	<b>14,29</b>	60
15	RF U 150 / 0 80 ...*	<b>14,29</b>	60
18	RF U 180 / 0 80 ...*	<b>14,29</b>	60
22	RF U 220 / 0 80 ...*	<b>14,29</b>	60

## Schlüter®-DILEX-RF

PVC / CPE, 0 = 10 mm

U (mm)	L = 2,50 m Cod. Art.	CHF / m	cassa (pz.)
10	RF U 100 / 0 100 ...*	<b>14,29</b>	60
12,5	RF U 125 / 0 100 ...*	<b>14,29</b>	60
15	RF U 150 / 0 100 ...*	<b>14,29</b>	60
18	RF U 180 / 0 100 ...*	<b>14,29</b>	60
22	RF U 220 / 0 100 ...*	<b>14,29</b>	60

## Schlüter®-DILEX-RF

PVC / CPE, 0 = 12,5 mm

U (mm)	L = 2,50 m Cod. Art.	CHF / m	cassa (pz.)
10	RF U 100 / 0 125 ...*	<b>14,29</b>	60
12,5	RF U 125 / 0 125 ...*	<b>14,29</b>	60
15	RF U 150 / 0 125 ...*	<b>14,29</b>	60
18	RF U 180 / 0 125 ...*	<b>14,29</b>	60
22	RF U 220 / 0 125 ...*	<b>14,29</b>	60

## Schlüter®-DILEX-RF

PVC / CPE, 0 = 15 mm

U (mm)	L = 2,50 m Cod. Art.	CHF / m	cassa (pz.)
10	RF U 100 / 0 150 ...*	<b>14,29</b>	60
12,5	RF U 125 / 0 150 ...*	<b>14,29</b>	60
15	RF U 150 / 0 150 ...*	<b>14,29</b>	60
18	RF U 180 / 0 150 ...*	<b>14,29</b>	60
22	RF U 220 / 0 150 ...*	<b>14,29</b>	60

## Schlüter®-DILEX-RF

PVC / CPE, 0 = 18 mm

U (mm)	L = 2,50 m Cod. Art.	CHF / m	cassa (pz.)
10	RF U 100 / 0 180 ...*	<b>14,29</b>	60
12,5	RF U 125 / 0 180 ...*	<b>14,29</b>	60
15	RF U 150 / 0 180 ...*	<b>14,29</b>	60
18	RF U 180 / 0 180 ...*	<b>14,29</b>	60
22	RF U 220 / 0 180 ...*	<b>14,29</b>	60

Completare il Cod. Art. con il colore (ad es. RF U 100 / 0 180 PG)



\* Colori disponibili: G - PG

A pagina 340 e segg. è disponibile una panoramica delle finiture e dei colori.

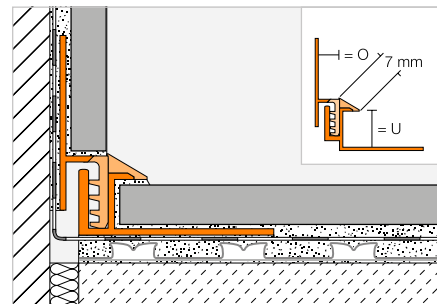


## Giunto perimetrale

### Schlüter®-DILEX-EK



Schlüter-DILEX-EK è un giunto perimetrale a sguscia per raccordare il pavimento al rivestimento. Questo profilo dispone di un labbro per coprire il lato tagliato della piastrella. (Scheda tecnica 4.14)



#### Schlüter®-DILEX-EK

PVC / CPE, 0 = 7 mm

U (mm)	L = 2,50 m Cod. Art.	CHF / m	cassa (pz.)
8	EK U 8 / 0 7 ...*	<b>14,29</b>	60
11	EK U 11 / 0 7 ...*	<b>14,29</b>	60
15	EK U 15 / 0 7 ...**	<b>14,29</b>	60

#### Schlüter®-DILEX-EK

PVC / CPE, 0 = 10 mm

U (mm)	L = 2,50 m Cod. Art.	CHF / m	cassa (pz.)
8	EK U 8 / 0 10 ...*	<b>14,29</b>	60
11	EK U 11 / 0 10 ...*	<b>14,29</b>	60
15	EK U 15 / 0 10 ...**	<b>14,29</b>	60

#### Schlüter®-DILEX-EK

PVC / CPE, 0 = 14 mm

U (mm)	L = 2,50 m Cod. Art.	CHF / m	cassa (pz.)
8	EK U 8 / 0 14 G	<b>14,29</b>	60
11	EK U 11 / 0 14 G	<b>14,29</b>	60
15	EK U 15 / 0 14 G	<b>14,29</b>	60

Completare il Cod. Art. con il colore (ad es. EK U 8 / 0 10 G)



\* Colori disponibili: BW - G - GS - HB - PG

\*\* Colori disponibili: G

A pagina 340 e segg. è disponibile una panoramica delle finiture e dei colori.

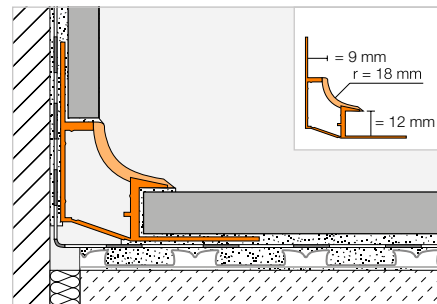
## Profilo a sguscia per angoli interni

### Schlüter®-DILEX-HK



Schlüter-DILEX-HK è un giunto perimetrale a sguscia per raccordare il pavimento al rivestimento. Questo profilo dispone di un labbro per coprire il lato tagliato della piastrella. Il giunto, grazie alla sua curvatura, è in grado di soddisfare i requisiti particolari di igiene e di pulizia richiesti ad esempio nell'industria alimentare o nelle cucine professionali. Disponibile un'ampia gamma di pezzi angolari e di chiusura.

(Scheda tecnica 4.11)



#### Schlüter®-DILEX-HK

PVC / CPE, 0 = 9 mm

L = 2,50 m Cod. Art.	CHF / m	cassa (pz.)
HK U12 / 09 ...*	15,40	60

## Angolo | Terminale | Innesto

#### Schlüter®-DILEX-HK/E

angolo esterno 90°

Cod. Art.	CHF / pz	crt. (pz.)
A / HK / ...*	4,85	50

#### Schlüter®-DILEX-HK/I

angolo interno 90°

Uscite	Cod. Art.	CHF / pz	crt. (pz.)
2	I / HK 2 R18 / ...*	4,85	50
3	I / HK 3 R18 / ...*	4,85	50



I2 = 2 vie



I3 = 3 vie

#### Schlüter®-DILEX-HK/EK

terminale

Cod. Art.	CHF / pz	crt. (pz.)
ER / HK / G	3,65	50
EL / HK / G	3,65	50

ER = destra / EL = sinistra

#### Schlüter®-DILEX-HK/V

innesto

Cod. Art.	CHF / pz	crt. (pz.)
V / HK	2,05	50



#### Completare il Cod. Art. con il colore (ad es. I / HK 2 R18 / HB)

BW G HB

\* Colori disponibili: BW - G - HB

A pagina 340 e segg. è disponibile una panoramica delle finiture e dei colori.

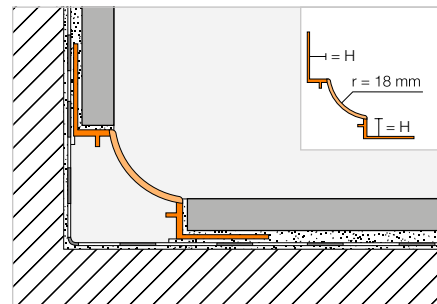


## Profilo a sguscia per angoli interni

### Schlüter®-DILEX-HKW



Schlüter-DILEX-HKW è un profilo di raccordo arrotondato in PVC, adatto per angoli interni di pareti e per pavimenti e pareti.  
(Scheda tecnica 4.12)



### Schlüter®-DILEX-HKW

PVC

H (mm)	L = 2,50 m Cod. Art.	CHF / m	cassa (pz.)
7	HKW U 7 / 0 7 ...*	<b>10,75</b>	60
9	HKW U 9 / 0 9 ...*	<b>10,75</b>	60
11	HKW U 11 / 0 11 ...*	<b>10,75</b>	60

## Angolo | Terminale

### Schlüter®-DILEX-HKW/E

angolo esterno 90°

Cod. Art.	CHF / pz	crt. (pz.)
A / HKW / ...*	<b>4,85</b>	50

### Schlüter®-DILEX-HKW/I

angolo interno 90°

Uscite	Cod. Art.	CHF / pz	crt. (pz.)
2	I / HKW 2 R18 / ...*	<b>4,85</b>	50
3	I / HKW 3 R18 / ...*	<b>4,85</b>	50



I2 = 2 vie

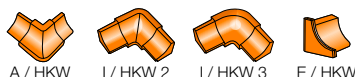


I3 = 3 vie

### Schlüter®-DILEX-HKW/EK

terminale

Cod. Art.	CHF / pz	crt. (pz.)
E / HKW / G	<b>3,65</b>	50



Completare il Cod. Art. con il colore (ad es. I / HKW 2 R18 / G)

BW G HB PG

\* Colori disponibili: BW - G - HB - PG

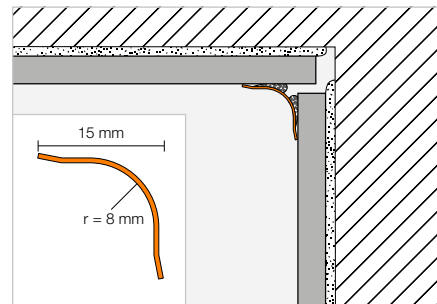
A pagina 340 e segg. è disponibile una panoramica delle finiture e dei colori.

## Profilo a sguscia per angoli interni

### Schlüter®-ECK-KHK



Schlüter-ECK-KHK è una sguscia in acciaio inossidabile da applicare a posa ultimata negli angoli interni dei rivestimenti ceramici, sia tra pareti adiacenti, che tra pavimento e parete. (Scheda tecnica 2.7)



#### Schlüter®-ECK-KHK-E

acciaio inossidabile V2A

B (mm)	L = 3,00 m Cod. Art.	CHF / m	cassa (pz.)
15	KHK15 E/300	28,41	60
	L = 2,50 m		
15	KHK15 E	28,41	60
	L = 2,00 m		
15	KHK15 E/200	28,41	60
	L = 1,50 m		
15	KHK15 E/150	28,41	60

#### Schlüter®-ECK-KHK-EB

acciaio inossidabile V2A spazzolato

B (mm)	L = 3,00 m Cod. Art.	CHF / m	cassa (pz.)
15	KHK15 EB/300	36,92	60
	L = 2,50 m		
15	KHK15 EB	36,92	60
	L = 2,00 m		
15	KHK15 EB/200	36,92	60
	L = 1,50 m		
15	KHK15 EB/150	36,92	60

## Angolo | Innesto

#### Schlüter®-ECK-KHK-E/E

angolo esterno 90°  
acciaio inossidabile V2A

Cod. Art.	CHF / pz	crt. (pz.)
E / KHK15 E	9,42	50

#### Schlüter®-ECK-KHK-EB/E

angolo esterno 90°  
acciaio inossidabile V2A spazzolato

Cod. Art.	CHF / pz	crt. (pz.)
E / KHK15 EB	10,34	50

#### Schlüter®-ECK-KHK-E/I

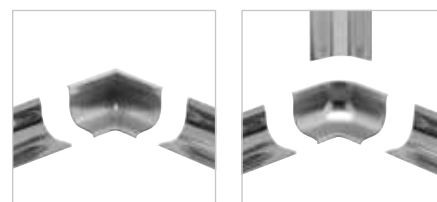
angolo interno 90°  
acciaio inossidabile V2A

Cod. Art.	CHF / pz	crt. (pz.)
I/2 KHK15 E	9,42	50
I/3 KHK15 E	9,42	50

#### Schlüter®-ECK-KHK-EB/I

angolo interno 90°  
acciaio inossidabile V2A spazzolato

Cod. Art.	CHF / pz	crt. (pz.)
I/2 KHK15 EB	10,34	50
I/3 KHK15 EB	10,34	50



I2 = 2 vie

I3 = 3 vie

#### Schlüter®-ECK-KHK-E/V

innesto  
acciaio inossidabile V2A

Cod. Art.	CHF / pz	crt. (pz.)
V / KHK15 E	9,42	50

#### Schlüter®-ECK-KHK-EB/V

innesto  
acciaio inossidabile V2A spazzolato

Cod. Art.	CHF / pz	crt. (pz.)
V / KHK15 EB	10,34	50



E / KHK I/2 KHK I/3 KHK V / KHK



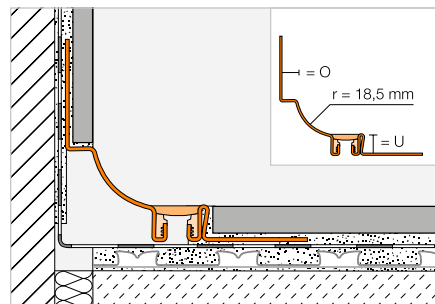
## Profilo a sguscia per angoli interni

### Schlüter®-DILEX-HKS



Schlüter-DILEX-HKS è un giunto perimetrale a sguscia in acciaio inossidabile per raccordare pavimenti e rivestimenti.

(Scheda tecnica 4.15)



#### Schlüter®-DILEX-HKS-E

acciaio inossidabile V2A, O = 7 mm

U (mm)	L = 2,50 m Cod. Art.	CHF / m	cassa (pz.)
8	HKS V2A U 8 / 0 7 ...*	59,76	40
10	HKS V2A U 10 / 0 7 ...*	60,45	40
12,5	HKS V2A U 12 / 0 7 ...*	61,22	40
14	HKS V2A U 14 / 0 7 ...*	61,53	40
16	HKS V2A U 16 / 0 7 ...*	61,98	40
18	HKS V2A U 18 / 0 7 ...*	62,56	40
21	HKS V2A U 21 / 0 7 ...*	63,17	40
25	HKS V2A U 25 / 0 7 ...*	64,29	40
30	HKS V2A U 30 / 0 7 ...*	65,06	40

#### Schlüter®-DILEX-HKS-E

acciaio inossidabile V2A, O = 9 mm

U (mm)	L = 2,50 m Cod. Art.	CHF / m	cassa (pz.)
8	HKS V2A U 8 / 0 9 ...*	59,76	40
10	HKS V2A U 10 / 0 9 ...*	60,45	40
12,5	HKS V2A U 12 / 0 9 ...*	61,22	40
14	HKS V2A U 14 / 0 9 ...*	61,53	40
16	HKS V2A U 16 / 0 9 ...*	61,98	40
18	HKS V2A U 18 / 0 9 ...*	62,56	40
21	HKS V2A U 21 / 0 9 ...*	63,17	40
25	HKS V2A U 25 / 0 9 ...*	64,29	40
30	HKS V2A U 30 / 0 9 ...*	65,06	40

#### Schlüter®-DILEX-HKS-E

acciaio inossidabile V2A, O = 11 mm

U (mm)	L = 2,50 m Cod. Art.	CHF / m	cassa (pz.)
8	HKS V2A U 8 / 0 11 ...*	59,76	40
10	HKS V2A U 10 / 0 11 ...*	60,45	40
12,5	HKS V2A U 12 / 0 11 ...*	61,22	40
14	HKS V2A U 14 / 0 11 ...*	61,53	40
16	HKS V2A U 16 / 0 11 ...*	61,98	40
18	HKS V2A U 18 / 0 11 ...*	62,56	40
21	HKS V2A U 21 / 0 11 ...*	63,17	40
25	HKS V2A U 25 / 0 11 ...*	64,29	40
30	HKS V2A U 30 / 0 11 ...*	65,06	40

#### Schlüter®-DILEX-HKS-E V4A

acciaio inossidabile V4A, O = 7 mm

U (mm)	L = 2,50 m Cod. Art.	CHF / m	cassa (pz.)
8	HKS V4A U 8 / 0 7 ...*	65,75	40
10	HKS V4A U 10 / 0 7 ...*	66,47	40
12,5	HKS V4A U 12 / 0 7 ...*	67,37	40
14	HKS V4A U 14 / 0 7 ...*	67,69	40
16	HKS V4A U 16 / 0 7 ...*	68,18	40

#### Schlüter®-DILEX-HKS-E V4A

acciaio inossidabile V4A, O = 9 mm

U (mm)	L = 2,50 m Cod. Art.	CHF / m	cassa (pz.)
8	HKS V4A U 8 / 0 9 ...*	65,75	40
10	HKS V4A U 10 / 0 9 ...*	66,47	40
12,5	HKS V4A U 12 / 0 9 ...*	67,37	40
14	HKS V4A U 14 / 0 9 ...*	67,69	40
16	HKS V4A U 16 / 0 9 ...*	68,18	40

#### Schlüter®-DILEX-HKS-E V4A

acciaio inossidabile V4A, O = 11 mm

U (mm)	L = 2,50 m Cod. Art.	CHF / m	cassa (pz.)
8	HKS V4A U 8 / 0 11 ...*	65,75	40
10	HKS V4A U 10 / 0 11 ...*	66,47	40
12,5	HKS V4A U 12 / 0 11 ...*	67,37	40
14	HKS V4A U 14 / 0 11 ...*	67,69	40
16	HKS V4A U 16 / 0 11 ...*	68,18	40

## Angolo

#### Schlüter®-DILEX-HKS-E/E 90°

innesto pretagliato per angolo 90°  
acciaio inossidabile V2A

Cod. Art.	CHF / kit	conf. (set)
E90 V2A ...**	51,30	50

#### Schlüter®-DILEX-HKS-E V4A/E 90°

innesto pretagliato per angolo 90°  
acciaio inossidabile V4A

Cod. Art.	CHF / kit	conf. (set)
E90 V4A ...**	51,30	50



#### Nota:

Per i pezzi speciali (angolo interno, angolo esterno ed innesto) vedere Schlüter-DILEX-EHK.

Completare il Cod. Art. con il colore (ad es. HKS V4A U 8 / 0 11 GS)



\* Colori disponibili: G - GS - HB - PG

\*\* Cod. Art. U ... / O ... con il colore (ad es. E90 V2A U 10 / 0 11 G). Colori disponibili: G - GS - HB - PG

A pagina 340 e segg. è disponibile una panoramica delle finiture e dei colori.

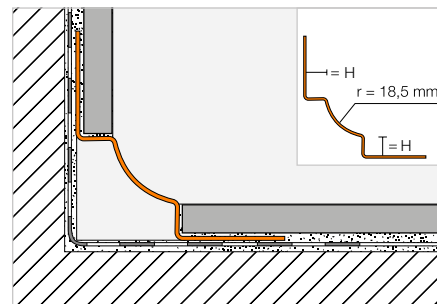


## Profilo a sguscia per angoli interni

### Schlüter®-DILEX-EHK



Schlüter-DILEX-EHK è un profilo di forma arrotondata "a sguscia" che garantisce un raccordo igienico tra rivestimenti e tra pavimento e rivestimento, facile da pulire. Particolarmente adatto per ospedali, cucine di ristoranti e ambienti dell'industria alimentare. (Scheda tecnica 4.15)



#### Schlüter®-DILEX-EHK

acciaio inossidabile V2A

H (mm)	L = 2,50 m Cod. Art.	CHF / m	cassa (pz.)
7	EHK U 7 / 0 7	<b>34,02</b>	40
9	EHK U 9 / 0 9	<b>35,02</b>	40
11	EHK U 11 / 0 11	<b>36,06</b>	40

#### Schlüter®-DILEX-EBHK

acciaio inossidabile V2A spazzolato

H (mm)	L = 2,50 m Cod. Art.	CHF / m	cassa (pz.)
7	EBHK U 7 / 0 7	<b>44,24</b>	40
9	EBHK U 9 / 0 9	<b>45,54</b>	40
11	EBHK U 11 / 0 11	<b>46,91</b>	40

#### Schlüter®-DILEX-EHK V4A

acciaio inossidabile V4A

H (mm)	L = 2,50 m Cod. Art.	CHF / m	cassa (pz.)
7	EHK U 7 / 0 7 / V4A	<b>37,42</b>	40
9	EHK U 9 / 0 9 / V4A	<b>38,50</b>	40
11	EHK U 11 / 0 11 / V4A	<b>39,70</b>	40
16	EHK U 16 / 0 16 / V4A	<b>42,19</b>	40

## Angolo | Innesto in acciaio inossidabile V4A

#### Schlüter®-DILEX-EHK/E

angolo esterno 90°  
acciaio inossidabile V4A

Cod. Art.	CHF / pz	crt. (pz.)
A / EHK 2 R18	<b>9,61</b>	50

#### Schlüter®-DILEX-EHK/E 135°

angolo esterno 135°  
acciaio inossidabile V4A

Cod. Art.	CHF / pz	crt. (pz.)
E 135 / EHK 2 R18	<b>9,61</b>	50

#### Schlüter®-DILEX-EHK/V

innesto  
acciaio inossidabile V4A

Cod. Art.	CHF / pz	crt. (pz.)
V / EHK	<b>9,61</b>	50

#### Schlüter®-DILEX-EHK/I

angolo interno 90°  
acciaio inossidabile V4A

Cod. Art.	CHF / pz	crt. (pz.)
I / EHK 2 R18	<b>9,61</b>	50
I / EHK 3 R18	<b>9,61</b>	50

#### Schlüter®-DILEX-EHK/I 135°

angolo interno 135°  
acciaio inossidabile V4A

Cod. Art.	CHF / pz	crt. (pz.)
I 135 / EHK 2 R18	<b>9,61</b>	50



I2 = 2 vie

I3 = 3 vie

## Angolo | Innesto in acciaio inossidabile V2A spazzolato

#### Schlüter®-DILEX-EBHK/E

angolo esterno 90°  
acciaio inossidabile V2A spazzolato

Cod. Art.	CHF / pz	crt. (pz.)
A / EBHK 2 R18	<b>12,51</b>	50

#### Schlüter®-DILEX-EBHK/E 135°

angolo esterno 135°  
acciaio inossidabile V2A spazzolato

Cod. Art.	CHF / pz	crt. (pz.)
E 135 / EB HK 2 R18	<b>12,51</b>	50

#### Schlüter®-DILEX-EBHK/V

innesto  
acciaio inossidabile V2A spazzolato

Cod. Art.	CHF / pz	crt. (pz.)
V / EBHK	<b>12,51</b>	50

#### Schlüter®-DILEX-EBHK/I

angolo interno 90°  
acciaio inossidabile V2A spazzolato

Cod. Art.	CHF / pz	crt. (pz.)
I / EBHK 2 R18	<b>12,51</b>	50
I / EBHK 3 R18	<b>12,51</b>	50

#### Schlüter®-DILEX-EBHK/I 135°

angolo interno 135°  
acciaio inossidabile V2A spazzolato

Cod. Art.	CHF / pz	crt. (pz.)
I 135 / EB HK 2 R18	<b>12,51</b>	50

#### Nota:

I pezzi speciali per i raccordi Schlüter-DILEX-EHK sono in acciaio inossidabile V4A e possono essere utilizzati anche con i raccordi in acciaio V2A (escluso l'acciaio spazzolato = EBHK). Come terminale consigliamo Schlüter-DILEX-HKW/EK in materiale plastico.





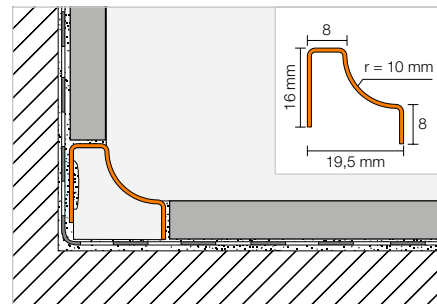
## Profilo a sguscia per angoli interni

### Schlüter®-DILEX-HKU



Schlüter-DILEX-HKU è un profilo di forma arrotondata, a sguscia, particolarmente versatile. Grazie all'aletta di fissaggio rivolta verso l'interno, il profilo può essere adattato liberamente a rivestimenti e pavimenti di diversi spessori.

(Scheda tecnica 4.22)



#### Schlüter®-DILEX-HKU 10-E

acciaio inossidabile V2A

L = 2,50 m Cod. Art.	CHF / m	cassa (pz.)
HKUR 10 E	32,00	40

#### Schlüter®-DILEX-HKU 10-EB

acciaio inossidabile V2A spazzolato

L = 2,50 m Cod. Art.	CHF / m	cassa (pz.)
HKUR 10 EB	35,08	40

#### Schlüter®-DILEX-HKU 10-E V4A

acciaio inossidabile V4A

L = 2,50 m Cod. Art.	CHF / m	cassa (pz.)
HKUR 10 E / V4A	48,03	40

## Angolo | Terminale | Innesto in acciaio inossidabile V4A

#### Schlüter®-DILEX-HKU 10-E/EQ

angolo esterno 90°  
acciaio inossidabile V4A

Cod. Art.	CHF / pz	crt. (pz.)
EQ / HKUR 10 E	9,42	50

#### Schlüter®-DILEX-HKU 10-E 135°

angolo esterno 135°  
acciaio inossidabile V4A

Cod. Art.	CHF / pz	crt. (pz.)
E135 / HKUR 10 E	9,42	50

#### Nota:

I pezzi speciali per i raccordi Schlüter-DILEX-HKU 10 in acciaio inossidabile V4A possono essere utilizzati anche con i raccordi in acciaio V2A (escluso l'acciaio spazzolato = HKU-EB).

#### Schlüter®-DILEX-HKU 10-E/I

angolo interno 90°  
acciaio inossidabile V4A

Cod. Art.	CHF / pz	crt. (pz.)
I / HKUR 3 R 10 E	9,42	50

#### Schlüter®-DILEX-HKU 10-E/I 135°

angolo interno 135°  
acciaio inossidabile V4A

Cod. Art.	CHF / pz	crt. (pz.)
I135 / HKUR 10 E	9,42	50

#### Schlüter®-DILEX-HKU 10-E/EK

terminale  
acciaio inossidabile V4A

Cod. Art.	CHF / pz	crt. (pz.)
EK / HKUR 10 E	8,10	50

#### Schlüter®-DILEX-HKU 10-E/V

innesto  
acciaio inossidabile V4A

Cod. Art.	CHF / pz	crt. (pz.)
V / HKUR 10 E	9,42	50



## Angolo | Terminale | Innesto in acciaio inossidabile V2A spazzolato

## Schlüter®-DILEX-HKU 10-EB/EQ

angolo esterno 90°  
acciaio inossidabile V2A spazzolato

Cod. Art.	CHF / pz	crt. (pz.)
EQ / HKUR 10 EB	10,34	50

## Schlüter®-DILEX-HKU 10-EB 135°

angolo esterno 135°  
acciaio inossidabile V2A spazzolato

Cod. Art.	CHF / pz	crt. (pz.)
E135 / HKUR 10 EB	10,34	50

## Schlüter®-DILEX-HKU 10-EB/I

angolo interno 90°  
acciaio inossidabile V2A spazzolato

Cod. Art.	CHF / pz	crt. (pz.)
I / HKUR 3 R 10 EB	10,34	50

## Schlüter®-DILEX-HKU 10-EB/I 135°

angolo interno 135°  
acciaio inossidabile V2A spazzolato

Cod. Art.	CHF / pz	crt. (pz.)
I135 / HKUR 10 EB	10,34	50



## Schlüter®-DILEX-HKU 10-EB/EK

terminale  
acciaio inossidabile V2A spazzolato

Cod. Art.	CHF / pz	crt. (pz.)
EK / HKUR 10 EB	9,57	50

## Schlüter®-DILEX-HKU 10-EB/V

innesto  
acciaio inossidabile V2A spazzolato

Cod. Art.	CHF / pz	crt. (pz.)
V / HKUR 10 EB	10,34	50

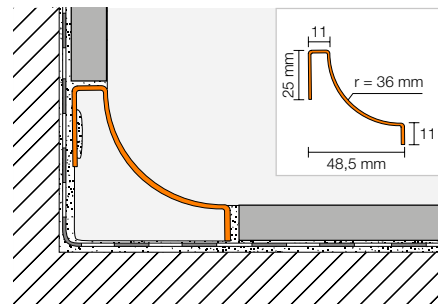


## Profilo a sguscia per angoli interni

## Schlüter®-DILEX-HKU 36-E

acciaio inossidabile V2A

L = 2,50 m Cod. Art.	CHF / m	cassa (pz.)
HKUR 36 E	37,85	40



## Angolo | Terminale | Innesto

## Schlüter®-DILEX-HKU 36-E/E

angolo esterno 90°  
acciaio inossidabile V2A

Cod. Art.	CHF / pz	crt. (pz.)
E / HKUR 36 E	10,75	50

## Schlüter®-DILEX-HKU 36-E/I

angolo interno 90°  
acciaio inossidabile V2A

Cod. Art.	CHF / pz	crt. (pz.)
I / HKUR 3 R 36 10 E	10,75	50

## Schlüter®-DILEX-HKU 36-E/V

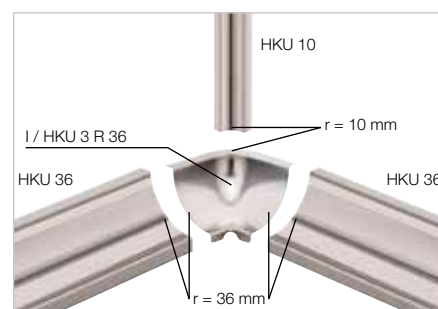
innesto acciaio inossidabile V2A

Cod. Art.	CHF / pz	crt. (pz.)
V / HKUR 36 E	10,75	50

## Schlüter®-DILEX-HKU 36/VI

innesto interno

Cod. Art.	CHF / pz	crt. (pz.)
VI / HKUR 36	4,75	50



## Schlüter®-DILEX-HKU 36/EK

terminale PVC

Cod. Art.	CHF / pz	crt. (pz.)
EK / HKUR 36 E	4,75	50





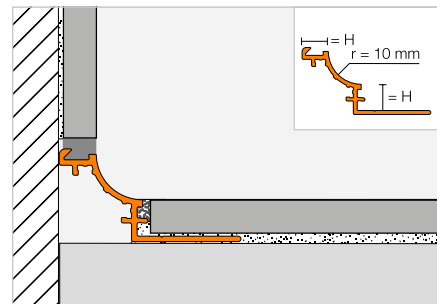
## Profilo a sguscia per angoli interni

### Schlüter®-DILEX-AHK-TS



Schlüter-DILEX-AHK-TS è un profilo a sguscia, in alluminio colorato con speciale finitura a rilievo, Schlüter-TRENDLINE. È indicato per raccordare elegantemente il pavimento al rivestimento o per una pratica chiusura di piani di lavoro. Può essere abbinato a Schlüter-RONDEC, -JOLLY, -SCHIENE oppure QUADec nelle stesse finiture della gamma TRENDLINE.

(Scheda tecnica 4.21)



#### Schlüter®-DILEX-AHK-TSI

alluminio con finitura a rilievo, avorio

H (mm)	L = 2,50 m Cod. Art.	CHF / m	cassa (pz.)
8	AHK 1S 80 TSI	<b>29,17</b>	40
10	AHK 1S 100 TSI	<b>30,26</b>	40
12,5	AHK 1S 125 TSI	<b>31,37</b>	40

#### Schlüter®-DILEX-AHK-TSSG

alluminio con finitura a rilievo, grigio sasso

H (mm)	L = 2,50 m Cod. Art.	CHF / m	cassa (pz.)
8	AHK 1S 80 TSSG	<b>29,17</b>	40
10	AHK 1S 100 TSSG	<b>30,26</b>	40
12,5	AHK 1S 125 TSSG	<b>31,37</b>	40

#### Schlüter®-DILEX-AHK-TSDA

alluminio con finitura a rilievo, antracite

H (mm)	L = 2,50 m Cod. Art.	CHF / m	cassa (pz.)
8	AHK 1S 80 TSDA	<b>29,17</b>	40
10	AHK 1S 100 TSDA	<b>30,26</b>	40
12,5	AHK 1S 125 TSDA	<b>31,37</b>	40

## Angolo | Terminale | Innesto

#### Schlüter®-DILEX-AHK-TS/E

angolo esterno a 90°  
(per collegamento con i RONDEC)

Cod. Art.	CHF / pz	crt. (pz.)
E90 / AHK 1S / ...*	<b>30,47</b>	50

#### Schlüter®-DILEX-AHK-TS/E 90 Q

angolo esterno a 90°  
(per collegamento con i QUADec)

Cod. Art.	CHF / pz	crt. (pz.)
E90 Q / AHK 1S / ...*	<b>30,47</b>	50

#### Schlüter®-DILEX-AHK-TS/E 135°

angolo esterno 135°

Cod. Art.	CHF / pz	crt. (pz.)
E135 / AHK 1S / ...*	<b>30,47</b>	50

#### Schlüter®-DILEX-AHK-TS/I

angolo interno 90°

Cod. Art.	CHF / pz	crt. (pz.)
I90 / AHK 1S / ...*	<b>30,47</b>	50

#### Schlüter®-DILEX-AHK-TS/I 135°

angolo interno 135°

Cod. Art.	CHF / pz	crt. (pz.)
I135 / AHK 1S / ...*	<b>30,47</b>	50

#### Schlüter®-DILEX-AHK-TS/EK

terminale

Cod. Art.	CHF / pz	crt. (pz.)
E / AHK 1S / ...*	<b>19,57</b>	50



#### Schlüter®-DILEX-AHK/V

innesto

Cod. Art.	CHF / pz	crt. (pz.)
V / AHK	<b>4,75</b>	50

Completare il Cod. Art. con il tipo di finitura (ad es. E / AHK 1S / TSI)

\* Finiture: TSDA - TSI - TSSG

A pagina 340 e segg. è disponibile una panoramica delle finiture e dei colori.



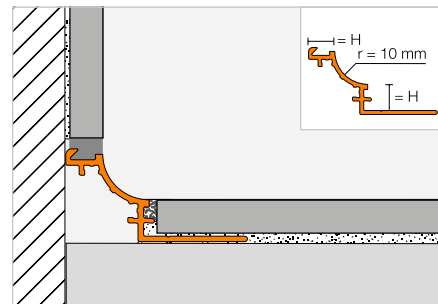
## Profilo a sguscia per angoli interni

### Schlüter®-DILEX-AHK



Schlüter-DILEX-AHK è un profilo di raccordo in alluminio di forma arrotondata adatto per raccordare il pavimento al rivestimento, piani di lavoro e mensole piastrellabili. Disponibile in alluminio con diverse finiture anodizzate e colorate.

(Scheda tecnica 4.21)



#### Schlüter®-DILEX-AHK-AE

alluminio anodizzato

H (mm)	L = 2,50 m Cod. Art.	CHF / m	cassa (pz.)
8	AHK 1S 80 AE	22,98	40
10	AHK 1S 100 AE	23,83	40
12,5	AHK 1S 125 AE	24,77	40

#### Schlüter®-DILEX-AHK-ACG

alluminio anodizzato effetto cromato lucido

H (mm)	L = 2,50 m Cod. Art.	CHF / m	cassa (pz.)
8	AHK 1S 80 ACG	43,75	40
10	AHK 1S 100 ACG	45,21	40
12,5	AHK 1S 125 ACG	46,30	40

#### Schlüter®-DILEX-AHK-ACGB

alluminio anodizzato effetto cromato spazzolato

H (mm)	L = 2,50 m Cod. Art.	CHF / m	cassa (pz.)
8	AHK 1S 80 ACGB	33,75	40
10	AHK 1S 100 ACGB	34,62	40
12,5	AHK 1S 125 ACGB	35,71	40

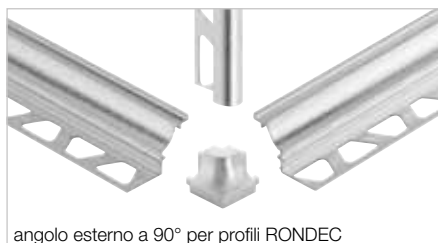
#### Schlüter®-DILEX-AHK-AC

alluminio colorato

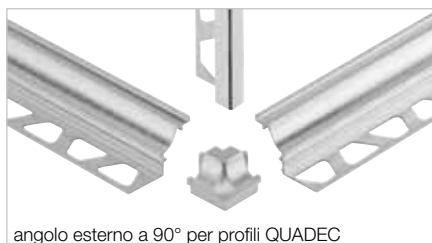
H (mm)	L = 2,50 m Cod. Art.	CHF / m	cassa (pz.)
8	AHK 1S 80 ...*	22,49	40
10	AHK 1S 100 ...*	23,64	40
12,5	AHK 1S 125 ...*	24,79	40



## Angolo | Terminale | Innesto



angolo esterno a 90° per profili RONDEC



angolo esterno a 90° per profili QUADEC



E90 / AHK



E135 / AHK



I90 / AHK



I135 / AHK



ER / AHK



EL / AHK

#### Schlüter®-DILEX-AHK/E

angolo esterno a 90°  
(per collegamento con i RONDEC)

Cod. Art.	CHF / pz	crt. (pz.)
E90 / AHK 1S / ...**	30,47	50

#### Schlüter®-DILEX-AHK/E 90 Q

angolo esterno a 90°  
(per collegamento con i QUADEC)

Cod. Art.	CHF / pz	crt. (pz.)
E90 Q / AHK 1S / ...**	30,47	50

#### Schlüter®-DILEX-AHK/E 135°

angolo esterno 135°

Cod. Art.	CHF / pz	crt. (pz.)
E135 / AHK 1S / ...**	30,47	50

#### Schlüter®-DILEX-AHK-AC/E

angolo esterno a 90°  
(per collegamento con i RONDEC)

Cod. Art.	CHF / pz	crt. (pz.)
E90 / AHK 1S / ...*	30,46	50

#### Schlüter®-DILEX-AHK-AC/E 90 Q

angolo esterno a 90°  
(per collegamento con i QUADEC)

Cod. Art.	CHF / pz	crt. (pz.)
E90 Q / AHK 1S / ...*	30,46	50

#### Schlüter®-DILEX-AHK-AC/E 135°

angolo esterno 135°

Cod. Art.	CHF / pz	crt. (pz.)
E135 / AHK 1S / ...*	30,46	50

Completare il Cod. Art. con finitura/colore (ad es. E135 / AHK 1S / BW)

\* Finiture/colori: BW - MBW - MGS

\*\* Finiture/colori: ACG - ACGB - AE

A pagina 340 e segg. è disponibile una panoramica delle finiture e dei colori.



### Schlüter®-DILEX-AHK/I

angolo interno 90°

Cod. Art.	CHF / pz	crt. (pz.)
I90 / AHK 1S / ...**	30,47	50

### Schlüter®-DILEX-AHK-AC/I

angolo interno 90°

Cod. Art.	CHF / pz	crt. (pz.)
I90 / AHK 1S / ...*	30,46	50

### Schlüter®-DILEX-AHK/V

innesto

Cod. Art.	CHF / pz	crt. (pz.)
V / AHK	4,75	50

### Schlüter®-DILEX-AHK/I 135°

angolo interno 135°

Cod. Art.	CHF / pz	crt. (pz.)
I135 / AHK 1S / ...**	30,47	50

### Schlüter®-DILEX-AHK-AC/I 135°

angolo interno 135°

Cod. Art.	CHF / pz	crt. (pz.)
I135 / AHK 1S / ...*	30,46	50

### Schlüter®-DILEX-AHK/EK

terminale

Cod. Art.	CHF / pz	crt. (pz.)
E / AHK 1S / ...**	19,57	50

### Schlüter®-DILEX-AHK-AC/EK

terminale

Cod. Art.	CHF / pz	crt. (pz.)
E / AHK 1S / ...*	23,02	50



Completare il Cod. Art. con finitura/colore (ad es. E / AHK 1S / BW)



\* Finiture/colori: BW - MBW - MGS

\*\* Finiture/colori: ACG - ACGB - AE

A pagina 340 e segg. è disponibile una panoramica delle finiture e dei colori.

## Profilo a sguscia per angoli interni

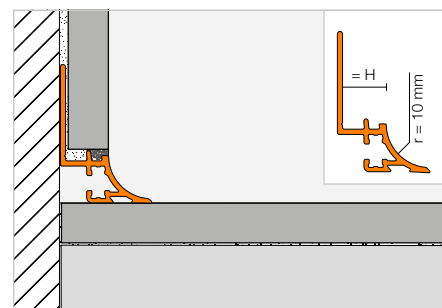


### Schlüter®-DILEX-AHKA



Schlüter-DILEX-AHKA è un profilo di raccordo in alluminio di forma arrotondata adatto per raccordare il pavimento al rivestimento, piani di lavoro e mensole piastrellabili. Disponibile in diverse finiture anodizzate o colorate. Può essere raccordato su un lato al rivestimento già esistente.

(Scheda tecnica 4.21)



### Schlüter®-DILEX-AHKA-AE

alluminio anodizzato

H (mm)	L = 2,50 m Cod. Art.	CHF / m	cassa (pz.)
8	AHKA 80 AE	22,98	40
10	AHKA 100 AE	23,83	40
12,5	AHKA 125 AE	24,77	40
15	AHKA 150 AE	25,51	40

### Schlüter®-DILEX-AHKA-ACGB

alluminio anodizzato effetto cromato spazzolato

H (mm)	L = 2,50 m Cod. Art.	CHF / m	cassa (pz.)
8	AHKA 80 ACGB	33,75	40
10	AHKA 100 ACGB	34,62	40
12,5	AHKA 125 ACGB	35,71	40
15	AHKA 150 ACGB	36,82	40

### Schlüter®-DILEX-AHKA-AC

alluminio colorato

H (mm)	L = 2,50 m Cod. Art.	CHF / m	cassa (pz.)
8	AHKA 80 ...*	22,49	40
10	AHKA 100 ...*	23,64	40
12,5	AHKA 125 ...*	24,79	40
15	AHKA 150 ...*	25,94	40



## Angolo | Terminale

**Schlüter®-DILEX-AHKA/E**

angolo esterno 90°

Cod. Art.	CHF / pz	crt. (pz.)
E90 / AHKA / ...**	<b>30,47</b>	50

**Schlüter®-DILEX-AHKA/E 135°**

angolo esterno 135°

Cod. Art.	CHF / pz	crt. (pz.)
E135 / AHKA / ...**	<b>30,47</b>	50

**Schlüter®-DILEX-AHKA-AC/E**

angolo esterno 90°

Cod. Art.	CHF / pz	crt. (pz.)
E90 / AHKA / ...*	<b>30,46</b>	50

**Schlüter®-DILEX-AHKA-AC/E 135°**

angolo esterno 135°

Cod. Art.	CHF / pz	crt. (pz.)
E135 / AHKA / ...*	<b>30,46</b>	50

**Schlüter®-DILEX-AHKA/I**

angolo interno 90°

Cod. Art.	CHF / pz	crt. (pz.)
I90 / AHKA / ...**	<b>30,47</b>	50

**Schlüter®-DILEX-AHKA/I 135°**

angolo interno 135°

Cod. Art.	CHF / pz	crt. (pz.)
I135 / AHKA / ...**	<b>30,47</b>	50

**Schlüter®-DILEX-AHKA-AC/I**

angolo interno 90°

Cod. Art.	CHF / pz	crt. (pz.)
I90 / AHKA / ...*	<b>30,46</b>	50

**Schlüter®-DILEX-AHKA-AC/I 135°**

angolo interno 135°

Cod. Art.	CHF / pz	crt. (pz.)
I135 / AHKA / ...*	<b>30,46</b>	50

**Schlüter®-DILEX-AHKA/EL**

terminale sinistro

Cod. Art.	CHF / pz	crt. (pz.)
EL / AHKA / ...**	<b>19,57</b>	50

**Schlüter®-DILEX-AHKA/ER**

terminale destro

Cod. Art.	CHF / pz	crt. (pz.)
ER / AHKA / ...**	<b>19,57</b>	50

**Schlüter®-DILEX-AHKA-AC/EL**

terminale sinistro

Cod. Art.	CHF / pz	crt. (pz.)
EL / AHKA / ...*	<b>23,02</b>	50

**Schlüter®-DILEX-AHKA-AC/ER**

terminale destro

Cod. Art.	CHF / pz	crt. (pz.)
ER / AHKA / ...*	<b>23,02</b>	50



E90 / AHKA

E135 / AHKA

I90 / AHKA

I135 / AHKA

ER / AHKA

EL / AHKA

Completare il Cod. Art. con finitura/colore (ad es. EL / AHKA / BW)

BW

MBW

MGS

\* Finiture/colori: BW - MBW - MGS

\*\* Finiture/colori: ACGB - AE

A pagina 340 e segg. è disponibile una panoramica delle finiture e dei colori.



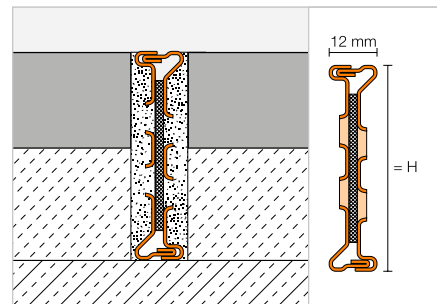


## Giunto di dilatazione

### Schlüter®-DILEX-EMP



Schlüter-DILEX-EMP è un giunto di frazionamento per la posa a malta, in acciaio inossidabile di grande impatto estetico. (Scheda tecnica 4.17)



#### Schlüter®-DILEX-EMP

acciaio inossidabile V2A

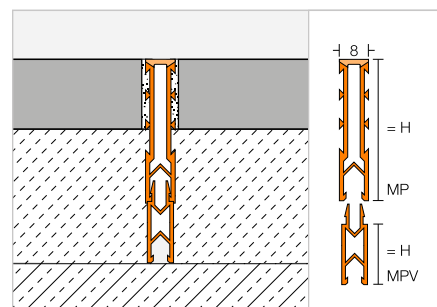
H (mm)	L = 2,50 m Cod. Art.	CHF / m	cassa (pz.)
35	EMP 35	43,33	60
50	EMP 50	49,32	60
65	EMP 65	55,34	60

## Giunto di frazionamento | Prolunga

### Schlüter®-DILEX-MP



Schlüter-DILEX-MP è un giunto di frazionamento per posa a malta. Disponibile a partire da 35 mm con la possibilità di aggiungere prolunghe per realizzare giunti con maggiore profondità e con importante capacità di dilatazione orizzontale. (Scheda tecnica 4.3)



#### Schlüter®-DILEX-MP 35

PVC / CPE

H (mm)	L = 2,50 m Cod. Art.	CHF / m	cassa (pz.)
35	MP 35 ...*	6,36	120

#### Schlüter®-DILEX-MP/V

prolunga

H (mm)	L = 2,50 m Cod. Art.	CHF / m	cassa (pz.)
15	MPV 15	3,69	120
25	MPV 25	3,92	120

Completare il Cod. Art. con il colore (ad es. MP 35 GS)



\* Colori disponibili: G - GS - HB

A pagina 340 e segg. è disponibile una panoramica delle finiture e dei colori.



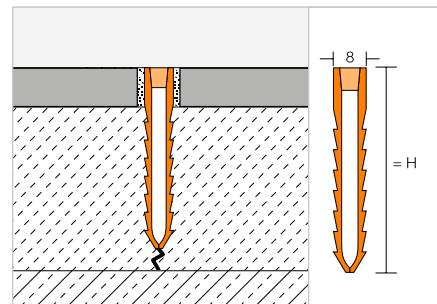
## Giunto di frazionamento

## Schlüter®-DILEX-MOP



Schlüter-DILEX-MOP è un giunto di frazionamento per la posa a malta disponibile in diverse altezze.

(Scheda tecnica 4.4)



## Schlüter®-DILEX-MOP

PVC

H (mm)	L = 2,50 m Cod. Art.	CHF / m	cassa (pz.)
★ 25	MOP 25 ...*	4,56	120
35	MOP 35 ...*	4,77	120
50	MOP 50 ...*	6,14	120
65	MOP 65 ...*	6,78	120

Completare il Cod. Art. con il colore (ad es. MOP 25 DA)



\* Colori disponibili: DA - G - GS

A pagina 340 e segg. è disponibile una panoramica delle finiture e dei colori.

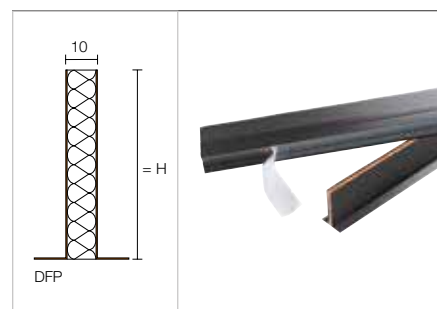
## Giunto di frazionamento nel massetto

## Schlüter®-DILEX-DFP



Schlüter-DILEX-DFP è un giunto di frazionamento per massetti utilizzato in prossimità delle porte per interrompere la propagazione delle onde acustiche.

(Scheda tecnica 9.1)



## Schlüter®-DILEX-DFP

schiuma di PE

H (mm)	L = 2,50 m Cod. Art.	CHF / m	cassa (pz.)
100	DFP 10/250	19,78	40

## Schlüter®-DILEX-DFP

schiuma di PE

H (mm)	L = 1,00 m Cod. Art.	CHF / m	crt. (pz.)
60	DFP 6/100	14,98	20
80	DFP 8/100	17,62	20
100	DFP 10/100	20,50	20



# Profili Schlüter per Vinile & Co.

Profili a parete ed a pavimento per materiali non rigidi

Sempre più posatori e rivenditori stanno ampliando la loro offerta di materiali da rivestimento elastici, come ad esempio il vinile. Abbiamo creato Schlüter-SCHIENE, il primo profilo per la ceramica, ed ora vi proponiamo Schlüter-VINPRO, una nuova gamma di profili per materiali non rigidi. A parete, a pavimento e sulle scale, Schlüter-VINPRO vi offre la rinomata qualità Schlüter anche in abbinamento a materiali da rivestimento non rigidi.





## Profili di raccordo

Schlüter®-VINPRO-T 156

Schlüter®-VINPRO-U 157

## Profili di chiusura

Schlüter®-VINPRO-S 158

Schlüter®-VINPRO-RO 159

## Profili per scale

Schlüter®-VINPRO-STEP 160

Schlüter®-VINPRO-STEP-R 161



# Schlüter®-VINPRO

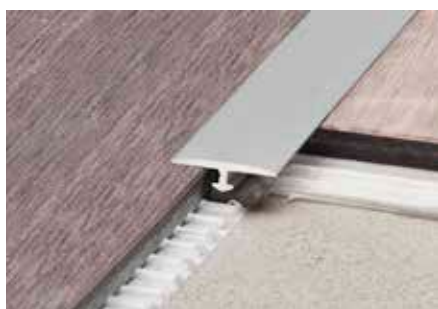
## Profili per materiali non rigidi

- ✓ Proteggono i bordi del rivestimento a pavimento, a parete e sulle scale
- ✓ Facili e veloci da installare
- ✓ Raccordano dislivelli in zone di transito tra diversi tipologie di materiale e diverse altezze eliminando il rischio di inciampo
- ✓ Disponibili nelle seguenti finiture:
  - Alluminio anodizzato effetto cromato spazzolato (ACGB)
  - Alluminio anodizzato effetto titanio spazzolato (ATGB)
  - Alluminio anodizzato effetto bronzo anticato spazzolato (ABGB)

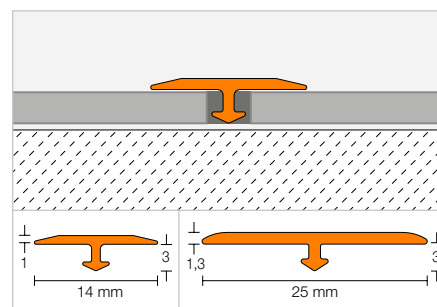


### Profilo di raccordo

## Schlüter®-VINPRO-T



Schlüter-VINPRO-T è un profilo che viene inserito a posa ultimata tra rivestimenti in materiali non rigidi ed adiacenti di pari livello (ad es. LVT, linoleum di design).  
(Scheda tecnica 18.2)



### Schlüter®-VINPRO-T-ACGB

alluminio anodizzato  
effetto cromato spazzolato

H (mm)	B (mm)	L = 2,50 m Cod. Art.	CHF / m	cassa (pz.)
3	14	VPT 3/14 ACGB	<b>6,62</b>	120
3	25	VPTL 3/25 ACGB	<b>7,43</b>	120

### Schlüter®-VINPRO-T-ATGB

alluminio anodizzato  
effetto titanio spazzolato

H (mm)	B (mm)	L = 2,50 m Cod. Art.	CHF / m	cassa (pz.)
3	14	VPT 3/14 ATGB	<b>6,62</b>	120
3	25	VPTL 3/25 ATGB	<b>7,43</b>	120

### Schlüter®-VINPRO-T-ABGB

alluminio anodizzato  
effetto bronzo anticato spazzolato

H (mm)	B (mm)	L = 2,50 m Cod. Art.	CHF / m	cassa (pz.)
3	14	VPT 3/14 ABGB	<b>6,62</b>	120
3	25	VPTL 3/25 ABGB	<b>7,43</b>	120

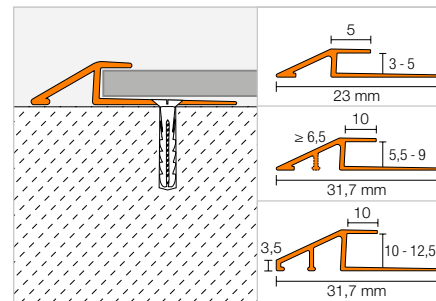
A pagina 340 e segg. è disponibile una panoramica delle finiture e dei colori.

## Profilo di raccordo

**Schlüter®-VINPRO-U**


Schlüter-VINPRO-U è un profilo di raccordo che congiunge il dislivello tra una pavimentazione in materiale non rigido (ad es. LVT, linoleum di design) e pavimentazioni adiacenti di spessore inferiore o verso il lastrico in calcestruzzo.

(Scheda tecnica 18.3)


**Schlüter®-VINPRO-U-ACGB**

alluminio anodizzato  
effetto cromato spazzolato

H (mm)	L = 2,50 m Cod. Art.	CHF / m	cassa (pz.)
3	VPU 30 ACGB	<b>11,06</b>	120
4	VPU 40 ACGB	<b>11,26</b>	120
5	VPU 50 ACGB	<b>11,61</b>	120
5,5	VPUL 55 ACGB	<b>11,87</b>	120
6	VPUL 60 ACGB	<b>12,59</b>	120
6,5	VPUL 65 ACGB	<b>13,04</b>	120
7	VPUL 70 ACGB	<b>13,69</b>	120
7,5	VPUL 75 ACGB	<b>14,35</b>	120
8	VPUL 80 ACGB	<b>15,32</b>	120
8,5	VPUL 85 ACGB	<b>16,30</b>	120
9	VPUL 90 ACGB	<b>17,28</b>	120
10	VPUL 100 ACGB	<b>18,26</b>	120
11	VPUL 110 ACGB	<b>19,23</b>	120
12,5	VPUL 125 ACGB	<b>20,22</b>	120

**Schlüter®-VINPRO-U-ATGB**

alluminio anodizzato  
effetto titanio spazzolato

H (mm)	L = 2,50 m Cod. Art.	CHF / m	cassa (pz.)
3	VPU 30 ATGB	<b>11,06</b>	120
4	VPU 40 ATGB	<b>11,26</b>	120
5	VPU 50 ATGB	<b>11,61</b>	120
5,5	VPUL 55 ATGB	<b>11,87</b>	120
6	VPUL 60 ATGB	<b>12,59</b>	120
6,5	VPUL 65 ATGB	<b>13,04</b>	120
7	VPUL 70 ATGB	<b>13,69</b>	120
7,5	VPUL 75 ATGB	<b>14,35</b>	120
8	VPUL 80 ATGB	<b>15,32</b>	120
8,5	VPUL 85 ATGB	<b>16,30</b>	120
9	VPUL 90 ATGB	<b>17,28</b>	120
10	VPUL 100 ATGB	<b>18,26</b>	120
11	VPUL 110 ATGB	<b>19,23</b>	120
12,5	VPUL 125 ATGB	<b>20,22</b>	120

**Schlüter®-VINPRO-U-ABGB**

alluminio anodizzato  
effetto bronzo anticato spazzolato

H (mm)	L = 2,50 m Cod. Art.	CHF / m	cassa (pz.)
3	VPU 30 ABGB	<b>11,06</b>	120
4	VPU 40 ABGB	<b>11,26</b>	120
5	VPU 50 ABGB	<b>11,61</b>	120
5,5	VPUL 55 ABGB	<b>11,87</b>	120
6	VPUL 60 ABGB	<b>12,59</b>	120
6,5	VPUL 65 ABGB	<b>13,04</b>	120
7	VPUL 70 ABGB	<b>13,69</b>	120
7,5	VPUL 75 ABGB	<b>14,35</b>	120
8	VPUL 80 ABGB	<b>15,32</b>	120
8,5	VPUL 85 ABGB	<b>16,30</b>	120
9	VPUL 90 ABGB	<b>17,28</b>	120
10	VPUL 100 ABGB	<b>18,26</b>	120
11	VPUL 110 ABGB	<b>19,23</b>	120
12,5	VPUL 125 ABGB	<b>20,22</b>	120

A pagina 340 e segg. è disponibile una panoramica delle finiture e dei colori.

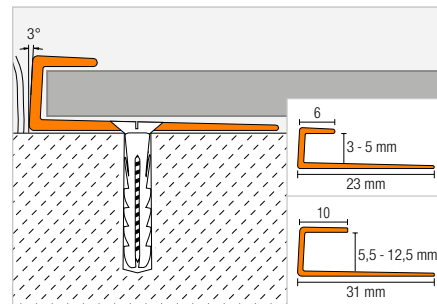


## Profilo di chiusura

### Schlüter®-VINPRO-S



Schlüter-VINPRO-S è un profilo di chiusura laterale per materiali di rivestimento non rigidi (ad es. LVT, linoleum di design). Offre una protezione del bordo per la chiusura di un rivestimento verso altri materiali di spessore uguale o simile o come elegante e funzionale finitura superiore per battiscopa.  
(Scheda tecnica 18.1)



#### Schlüter®-VINPRO-S-ACGB

alluminio anodizzato  
effetto cromato spazzolato

H (mm)	L = 2,50 m Cod. Art.	CHF / m	cassa (pz.)
3	VPS 30 ACGB	<b>9,87</b>	120
4	VPS 40 ACGB	<b>9,92</b>	120
5	VPS 50 ACGB	<b>10,00</b>	120
5,5	VPSL 55 ACGB	<b>10,43</b>	120
6	VPSL 60 ACGB	<b>10,82</b>	120
6,5	VPSL 65 ACGB	<b>11,22</b>	120
7	VPSL 70 ACGB	<b>11,60</b>	120
7,5	VPSL 75 ACGB	<b>12,00</b>	120
8	VPSL 80 ACGB	<b>12,39</b>	120
8,5	VPSL 85 ACGB	<b>12,79</b>	120
9	VPSL 90 ACGB	<b>13,16</b>	120
10	VPSL 100 ACGB	<b>13,56</b>	120
11	VPSL 110 ACGB	<b>13,95</b>	120
12,5	VPSL 125 ACGB	<b>14,35</b>	120

#### Schlüter®-VINPRO-S-ATGB

alluminio anodizzato  
effetto titanio spazzolato

H (mm)	L = 2,50 m Cod. Art.	CHF / m	cassa (pz.)
3	VPS 30 ATGB	<b>9,87</b>	120
4	VPS 40 ATGB	<b>9,92</b>	120
5	VPS 50 ATGB	<b>10,00</b>	120
5,5	VPSL 55 ATGB	<b>10,43</b>	120
6	VPSL 60 ATGB	<b>10,82</b>	120
6,5	VPSL 65 ATGB	<b>11,22</b>	120
7	VPSL 70 ATGB	<b>11,60</b>	120
7,5	VPSL 75 ATGB	<b>12,00</b>	120
8	VPSL 80 ATGB	<b>12,39</b>	120
8,5	VPSL 85 ATGB	<b>12,79</b>	120
9	VPSL 90 ATGB	<b>13,16</b>	120
10	VPSL 100 ATGB	<b>13,56</b>	120
11	VPSL 110 ATGB	<b>13,95</b>	120
12,5	VPSL 125 ATGB	<b>14,35</b>	120

#### Schlüter®-VINPRO-S-ABGB

alluminio anodizzato  
effetto bronzo anticato spazzolato

H (mm)	L = 2,50 m Cod. Art.	CHF / m	cassa (pz.)
3	VPS 30 ABGB	<b>9,87</b>	120
4	VPS 40 ABGB	<b>9,92</b>	120
5	VPS 50 ABGB	<b>10,00</b>	120
5,5	VPSL 55 ABGB	<b>10,43</b>	120
6	VPSL 60 ABGB	<b>10,82</b>	120
6,5	VPSL 65 ABGB	<b>11,22</b>	120
7	VPSL 70 ABGB	<b>11,60</b>	120
7,5	VPSL 75 ABGB	<b>12,00</b>	120
8	VPSL 80 ABGB	<b>12,39</b>	120
8,5	VPSL 85 ABGB	<b>12,79</b>	120
9	VPSL 90 ABGB	<b>13,16</b>	120
10	VPSL 100 ABGB	<b>13,56</b>	120
11	VPSL 110 ABGB	<b>13,95</b>	120
12,5	VPSL 125 ABGB	<b>14,35</b>	120

A pagina 340 e segg. è disponibile una panoramica delle finiture e dei colori.

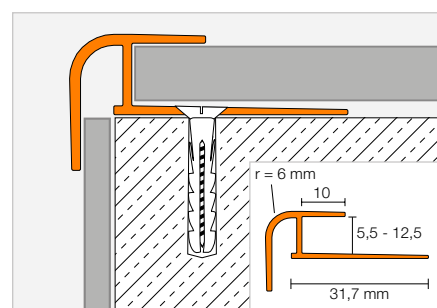
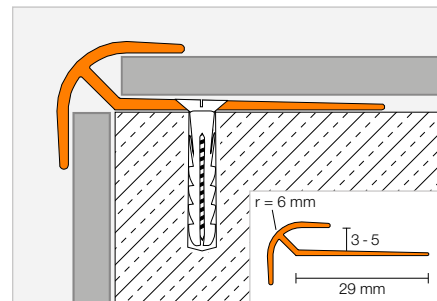


Esempio di applicazione: a parete

## Profilo di chiusura

**Schlüter®-VINPRO-RO**


Schlüter-VINPRO-RO è un profilo arrotondato che funge da chiusura e protezione bordi, per angoli esterni a parete con materiali non rigidi (ad es. LVT, linoleum di design).  
(Scheda tecnica 18.5)


**Schlüter®-VINPRO-RO-ACGB**

alluminio anodizzato  
effetto cromato spazzolato

H (mm)	L = 2,50 m Cod. Art.	CHF / m	cassa (pz.)
3	VPRO 30 ACGB	<b>11,61</b>	120
4	VPRO 40 ACGB	<b>11,96</b>	120
5	VPRO 50 ACGB	<b>12,33</b>	120
5,5	VPROL 55 ACGB	<b>12,71</b>	120
6	VPROL 60 ACGB	<b>13,69</b>	120
6,5	VPROL 65 ACGB	<b>14,68</b>	120
7	VPROL 70 ACGB	<b>15,32</b>	120
7,5	VPROL 75 ACGB	<b>15,97</b>	120
8	VPROL 80 ACGB	<b>16,63</b>	120
8,5	VPROL 85 ACGB	<b>17,28</b>	120
9	VPROL 90 ACGB	<b>17,93</b>	120
10	VPROL 100 ACGB	<b>18,58</b>	120
11	VPROL 110 ACGB	<b>19,23</b>	120
12,5	VPROL 125 ACGB	<b>19,90</b>	120

**Schlüter®-VINPRO-RO-ATGB**

alluminio anodizzato  
effetto titanio spazzolato

H (mm)	L = 2,50 m Cod. Art.	CHF / m	cassa (pz.)
3	VPRO 30 ATGB	<b>11,61</b>	120
4	VPRO 40 ATGB	<b>11,96</b>	120
5	VPRO 50 ATGB	<b>12,33</b>	120
5,5	VPROL 55 ATGB	<b>12,71</b>	120
6	VPROL 60 ATGB	<b>13,69</b>	120
6,5	VPROL 65 ATGB	<b>14,68</b>	120
7	VPROL 70 ATGB	<b>15,32</b>	120
7,5	VPROL 75 ATGB	<b>15,97</b>	120
8	VPROL 80 ATGB	<b>16,63</b>	120
8,5	VPROL 85 ATGB	<b>17,28</b>	120
9	VPROL 90 ATGB	<b>17,93</b>	120
10	VPROL 100 ATGB	<b>18,58</b>	120
11	VPROL 110 ATGB	<b>19,23</b>	120
12,5	VPROL 125 ATGB	<b>19,90</b>	120

**Schlüter®-VINPRO-RO-ABGB**

alluminio anodizzato  
effetto bronzo anticato spazzolato

H (mm)	L = 2,50 m Cod. Art.	CHF / m	cassa (pz.)
3	VPRO 30 ABGB	<b>11,61</b>	120
4	VPRO 40 ABGB	<b>11,96</b>	120
5	VPRO 50 ABGB	<b>12,33</b>	120
5,5	VPROL 55 ABGB	<b>12,71</b>	120
6	VPROL 60 ABGB	<b>13,69</b>	120
6,5	VPROL 65 ABGB	<b>14,68</b>	120
7	VPROL 70 ABGB	<b>15,32</b>	120
7,5	VPROL 75 ABGB	<b>15,97</b>	120
8	VPROL 80 ABGB	<b>16,63</b>	120
8,5	VPROL 85 ABGB	<b>17,28</b>	120
9	VPROL 90 ABGB	<b>17,93</b>	120
10	VPROL 100 ABGB	<b>18,58</b>	120
11	VPROL 110 ABGB	<b>19,23</b>	120
12,5	VPROL 125 ABGB	<b>19,90</b>	120

A pagina 340 e segg. è disponibile una panoramica delle finiture e dei colori.



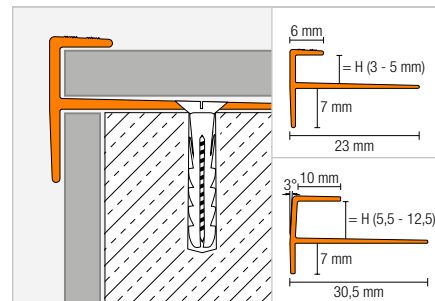
## Profili per scale

### Schlüter®-VINPRO-STEP



Schlüter-VINPRO-STEP è un profilo di chiusura e protezione bordi per scale rivestite con materiali non rigidi (ad es. LVT, linoleum di design). Il profilo ha una geometria rettangolare e l'aletta superiore presenta una zig-natura antiscivolo.

(Scheda tecnica 18.4)



### Schlüter®-VINPRO-STEP-ACGB

alluminio anodizzato  
effetto cromato spazzolato

H (mm)	L = 2,50 m Cod. Art.	CHF / m	cassa (pz.)
3	VPST 30 ACGB	<b>11,70</b>	120
4	VPST 40 ACGB	<b>11,96</b>	120
5	VPST 50 ACGB	<b>12,33</b>	120
5,5	VPSTL 55 ACGB	<b>13,36</b>	120
6	VPSTL 60 ACGB	<b>13,83</b>	120
6,5	VPSTL 65 ACGB	<b>14,28</b>	120
7	VPSTL 70 ACGB	<b>14,73</b>	120
7,5	VPSTL 75 ACGB	<b>15,19</b>	120
8	VPSTL 80 ACGB	<b>15,64</b>	120
8,5	VPSTL 85 ACGB	<b>16,10</b>	120
9	VPSTL 90 ACGB	<b>16,56</b>	120
10	VPSTL 100 ACGB	<b>17,09</b>	120
11	VPSTL 110 ACGB	<b>17,34</b>	120
12,5	VPSTL 125 ACGB	<b>17,74</b>	120

### Schlüter®-VINPRO-STEP-ATGB

alluminio anodizzato  
effetto titanio spazzolato

H (mm)	L = 2,50 m Cod. Art.	CHF / m	cassa (pz.)
3	VPST 30 ATGB	<b>11,70</b>	120
4	VPST 40 ATGB	<b>11,96</b>	120
5	VPST 50 ATGB	<b>12,33</b>	120
5,5	VPSTL 55 ATGB	<b>13,36</b>	120
6	VPSTL 60 ATGB	<b>13,83</b>	120
6,5	VPSTL 65 ATGB	<b>14,28</b>	120
7	VPSTL 70 ATGB	<b>14,73</b>	120
7,5	VPSTL 75 ATGB	<b>15,19</b>	120
8	VPSTL 80 ATGB	<b>15,64</b>	120
8,5	VPSTL 85 ATGB	<b>16,10</b>	120
9	VPSTL 90 ATGB	<b>16,56</b>	120
10	VPSTL 100 ATGB	<b>17,09</b>	120
11	VPSTL 110 ATGB	<b>17,34</b>	120
12,5	VPSTL 125 ATGB	<b>17,74</b>	120

### Schlüter®-VINPRO-STEP-ABGB

alluminio anodizzato  
effetto bronzo anticato spazzolato

H (mm)	L = 2,50 m Cod. Art.	CHF / m	cassa (pz.)
3	VPST 30 ABGB	<b>11,70</b>	120
4	VPST 40 ABGB	<b>11,96</b>	120
5	VPST 50 ABGB	<b>12,33</b>	120
5,5	VPSTL 55 ABGB	<b>13,36</b>	120
6	VPSTL 60 ABGB	<b>13,83</b>	120
6,5	VPSTL 65 ABGB	<b>14,28</b>	120
7	VPSTL 70 ABGB	<b>14,73</b>	120
7,5	VPSTL 75 ABGB	<b>15,19</b>	120
8	VPSTL 80 ABGB	<b>15,64</b>	120
8,5	VPSTL 85 ABGB	<b>16,10</b>	120
9	VPSTL 90 ABGB	<b>16,56</b>	120
10	VPSTL 100 ABGB	<b>17,09</b>	120
11	VPSTL 110 ABGB	<b>17,34</b>	120
12,5	VPSTL 125 ABGB	<b>17,74</b>	120

A pagina 340 e segg. è disponibile una panoramica delle finiture e dei colori.



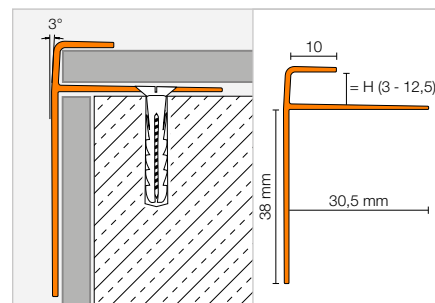
## Profili per scale

**Schlüter®-VINPRO-STEP-R**


Schlüter-VINPRO-STEP-R è un profilo di chiusura e protezione bordi per scale rivestite con materiali non rigidi (ad es. LVT, linoleum di design). La parte superiore del profilo dispone di un'aletta smussata e con il bordo anteriore arrotondato, larga 10 mm, per nascondere il taglio del rivestimento non rigido.

La sezione verticale allungata garantisce una migliore visibilità del gradino. L'aletta di fissaggio di VINPRO-STEP-R è conica ed è dotata di fori distribuiti uniformemente su tutta la lunghezza del profilo per un fissaggio meccanico tramite viti. L'aletta può anche essere incollata al sottofondo utilizzando lo speciale collante Schlüter-KERDI-FIX.

(Scheda tecnica 18.4)


**Schlüter®-VINPRO-STEP-R-ACGB**

alluminio anodizzato  
effetto cromato spazzolato

H (mm)	L = 2,50 m Cod. Art.	CHF / m	cassa (pz.)
3	VPSTRL 30 ACGB	<b>17,28</b>	120
4	VPSTRL 40 ACGB	<b>17,61</b>	120
5	VPSTRL 50 ACGB	<b>17,74</b>	120
5,5	VPSTRL 55 ACGB	<b>17,93</b>	120
6	VPSTRL 60 ACGB	<b>18,26</b>	120
6,5	VPSTRL 65 ACGB	<b>18,90</b>	120
7	VPSTRL 70 ACGB	<b>19,57</b>	120
7,5	VPSTRL 75 ACGB	<b>20,22</b>	120
8	VPSTRL 80 ACGB	<b>20,87</b>	120
8,5	VPSTRL 85 ACGB	<b>21,51</b>	120
9	VPSTRL 90 ACGB	<b>22,17</b>	120
10	VPSTRL 100 ACGB	<b>22,83</b>	120
11	VPSTRL 110 ACGB	<b>23,47</b>	120
12,5	VPSTRL 125 ACGB	<b>24,45</b>	120

**Schlüter®-VINPRO-STEP-R-ATGB**

alluminio anodizzato  
effetto titanio spazzolato

H (mm)	L = 2,50 m Cod. Art.	CHF / m	cassa (pz.)
3	VPSTRL 30 ATGB	<b>17,28</b>	120
4	VPSTRL 40 ATGB	<b>17,61</b>	120
5	VPSTRL 50 ATGB	<b>17,74</b>	120
5,5	VPSTRL 55 ATGB	<b>17,93</b>	120
6	VPSTRL 60 ATGB	<b>18,26</b>	120
6,5	VPSTRL 65 ATGB	<b>18,90</b>	120
7	VPSTRL 70 ATGB	<b>19,57</b>	120
7,5	VPSTRL 75 ATGB	<b>20,22</b>	120
8	VPSTRL 80 ATGB	<b>20,87</b>	120
8,5	VPSTRL 85 ATGB	<b>21,51</b>	120
9	VPSTRL 90 ATGB	<b>22,17</b>	120
10	VPSTRL 100 ATGB	<b>22,83</b>	120
11	VPSTRL 110 ATGB	<b>23,47</b>	120
12,5	VPSTRL 125 ATGB	<b>24,45</b>	120

**Schlüter®-VINPRO-STEP-R-ABGB**

alluminio anodizzato  
effetto bronzo anticato spazzolato

H (mm)	L = 2,50 m Cod. Art.	CHF / m	cassa (pz.)
3	VPSTRL 30 ABGB	<b>17,28</b>	120
4	VPSTRL 40 ABGB	<b>17,61</b>	120
5	VPSTRL 50 ABGB	<b>17,74</b>	120
5,5	VPSTRL 55 ABGB	<b>17,93</b>	120
6	VPSTRL 60 ABGB	<b>18,26</b>	120
6,5	VPSTRL 65 ABGB	<b>18,90</b>	120
7	VPSTRL 70 ABGB	<b>19,57</b>	120
7,5	VPSTRL 75 ABGB	<b>20,22</b>	120
8	VPSTRL 80 ABGB	<b>20,87</b>	120
8,5	VPSTRL 85 ABGB	<b>21,51</b>	120
9	VPSTRL 90 ABGB	<b>22,17</b>	120
10	VPSTRL 100 ABGB	<b>22,83</b>	120
11	VPSTRL 110 ABGB	<b>23,47</b>	120
12,5	VPSTRL 125 ABGB	<b>24,45</b>	120

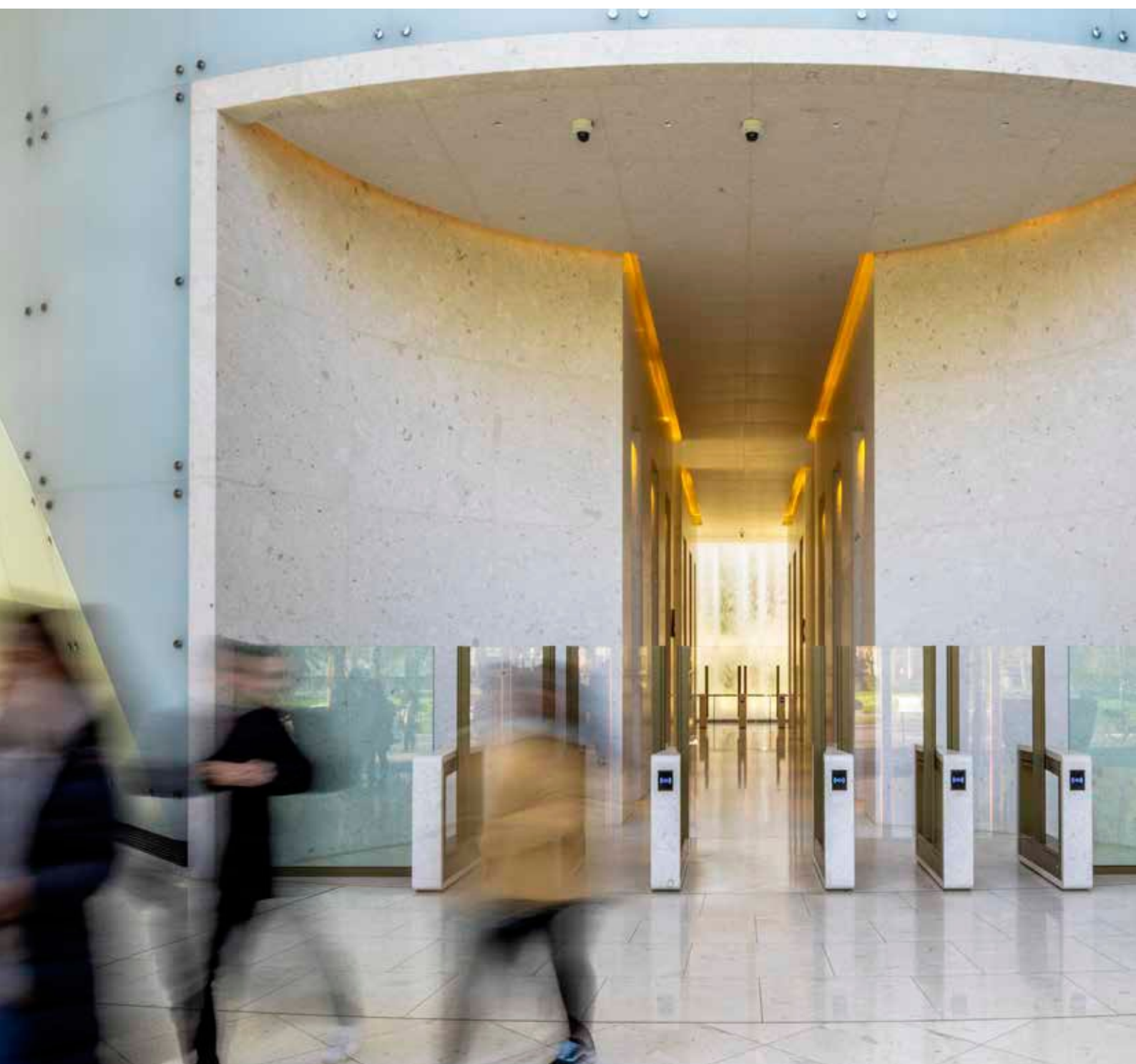
A pagina 340 e segg. è disponibile una panoramica delle finiture e dei colori.



# Schlüter®-DITRA

Desolidarizzazione, Impermeabilizzazione, Drenaggio,  
Sistema di riscaldamento elettrico, Isolamento acustico

Le guaine di desolidarizzazione ed i sistemi di impermeabilizzazione della famiglia Schlüter-DITRA sono collaudati da svariati decenni in tutto il mondo. Con questi sistemi è possibile posare piastrelle anche in condizioni difficili – ed ora la guaina DITRA è disponibile anche nella versione autoadesiva, particolarmente veloce da posare. Un esempio è il sistema di drenaggio a capillare passivo Schlüter-DITRA-DRAIN, che crea una microventilazione sotto manto ceramico favorendo così l'asciugatura e la stagionatura più veloce dell'adesivo per ceramica anche sotto piastrelle di grande formato. Schlüter-DITRA-HEAT-E permette l'alloggio di un cavo scaldante elettrico per dare un calore accogliente alla superficie in ceramica a parete ed a pavimento.





## Separazione in adesione

Schlüter®-DITRA	165
Schlüter®-DITRA-PS	167

## Separazione in adesione e riscaldamento

Schlüter®-DITRA-HEAT	169
Schlüter®-DITRA-HEAT-DUO	169
Schlüter®-DITRA-HEAT-PS	171
Schlüter®-DITRA-HEAT-DUO-PS	171
Schlüter®-DITRA-HEAT-E – Kit completi	176–177
Schlüter®-DITRA-HEAT-E-DUO – Kit completi	178–179

## Cavi scaldanti

Schlüter®-DITRA-HEAT-E-HK	172
Schlüter®-DITRA-HEAT-E-CHC	173

## Termostati

Schlüter®-DITRA-HEAT-E-R	174–175
--------------------------	---------

## Accessori

Schlüter®-DITRA-HEAT-E-KARO	175
Schlüter®-DITRA-HEAT-E-CT	175
Schlüter®-DITRA-HEAT-E-ZS	175

## Drenaggio in adesione

Schlüter®-DITRA-DRAIN 4	181
Schlüter®-DITRA-DRAIN 8	181

## Isolanti acustici dai rumori da calpestio

Schlüter®-DITRA-SOUND	183
-----------------------	-----



# Schlüter®-DITRA

L'Originale. Con tecnologia Easyfill e Easycut.

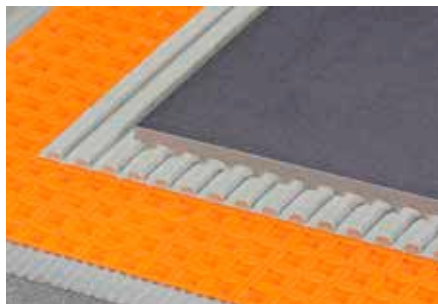


La guaina DITRA è un supporto universale, collaudato in tutto il mondo, per la posa di pavimenti ceramici e lapidei. Grazie ad una nuova geometria, l'installazione della guaina DITRA risulta ora ancora più semplice. Tutti i vantaggi in un batter d'occhio:

- ✓ **Facile, sicura e veloce da installare**
- ✓ **Easycut – Una griglia di linee pre-incise che facilitano un taglio rapido e preciso della guaina**
- ✓ **Easyfill – Stesura facile dell'adesivo sopra la guaina, grazie ai piccoli cerchi di sfianto d'aria**
- ✓ **Una geometria modificata della guaina favorisce l'ancoraggio meccanico dell'adesivo**
- ✓ **Le pre-incisioni Easycut rendono la guaina meno rigida e facilitano il suo srotolamento, senza "Effetto memory"**
- ✓ **Plurifunzionale:**
  - Impermeabilizzazione
  - Desolidarizzazione
  - Compensazione della pressione del vapore
  - Distribuzione del carico
  - Distribuzione omogenea del calore

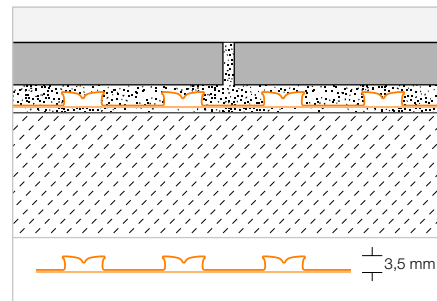
## Separazione in adesione

## Schlüter®-DITRA



Schlüter-DITRA è una guaina in polipropilene, strutturata a quadratini cavi a coda di rondine e con innovativa geometria "Easyfill", rivestita sul retro con un tessuto non tessuto. Un supporto plurifunzionale per rivestimenti in ceramica, che funge da strato impermeabilizzante e desolidarizzante e da sfogo della pressione del vapore.

(Scheda tecnica 6.1)



## Schlüter®-DITRA

rotolo guaina in polipropilene

L x B = m <sup>2</sup>	Cod. Art.	CHF / m <sup>2</sup>	pal. (rotoli)
5,1 x 0,995 = 5	D 5M	<b>26,07</b>	22
30,2 x 0,995 = 30	D 30M	<b>21,60</b>	6

## Utensile consigliato:

Schlüter-TROWEL, spatola con dentatura 4 x 4, vedi pagina 336.



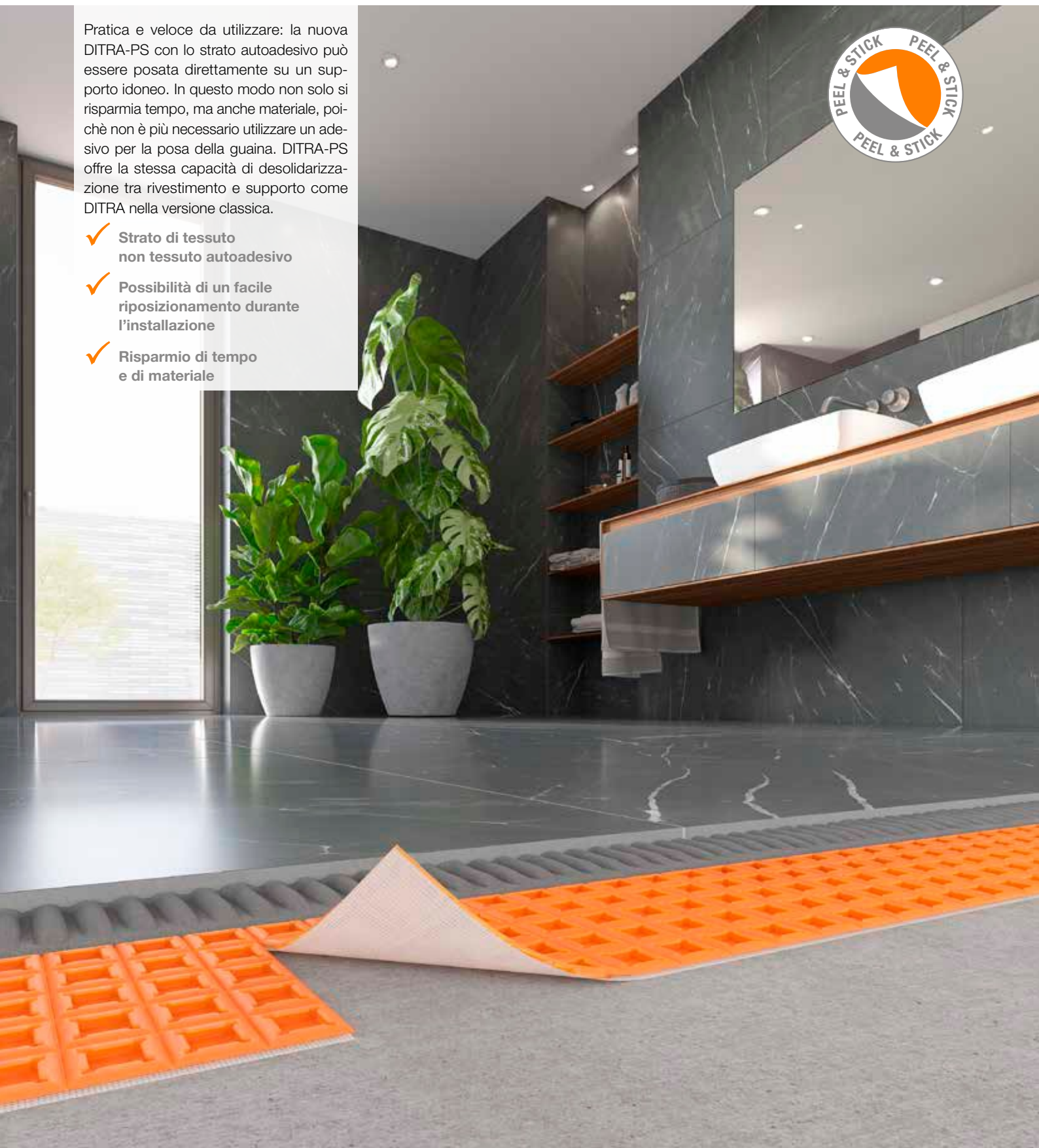


# Schlüter®-DITRA-PS

Ora anche autoadesiva – per risparmiare tempo e colla

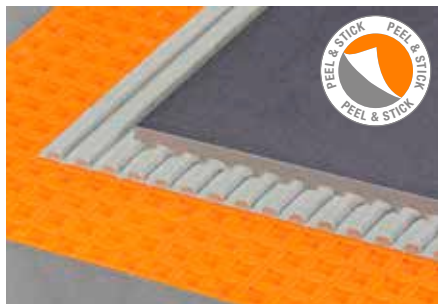
Pratica e veloce da utilizzare: la nuova DITRA-PS con lo strato autoadesivo può essere posata direttamente su un supporto idoneo. In questo modo non solo si risparmia tempo, ma anche materiale, poiché non è più necessario utilizzare un adesivo per la posa della guaina. DITRA-PS offre la stessa capacità di desolidarizzazione tra rivestimento e supporto come DITRA nella versione classica.

- ✓ **Strato di tessuto non tessuto autoadesivo**
- ✓ **Possibilità di un facile riposizionamento durante l'installazione**
- ✓ **Risparmio di tempo e di materiale**

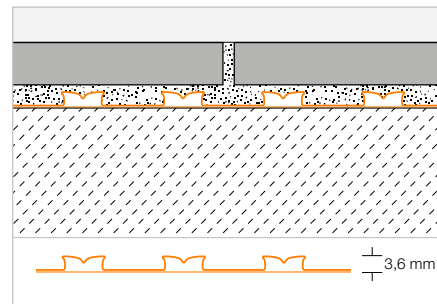


## Separazione in adesione autoadesiva

## Schlüter®-DITRA-PS



Schlüter-DITRA-PS è una guaina da interno in polipropilene, strutturata a quadratini cavi a coda di rondine e con innovativa geometria "Easyfill", rivestita sul retro con un tessuto non tessuto autoadesivo. La guaina è impermeabile all'acqua. Dopo avere rimosso la pellicola protettiva, è possibile posare DITRA-PS su un supporto idoneo senza l'utilizzo di adesivo. Funge principalmente da strato di desolidarizzazione e di sfogo della pressione del vapore. (Scheda tecnica 6.7)



## Schlüter®-DITRA-PS



pannello guaina autoadesivo in polipropilene

L x B = m <sup>2</sup>	Cod. Art.	CHF / m <sup>2</sup>	pal. (pz.)
0,735 x 0,985 = 0,72	D PS MA	32,63	100



## Schlüter®-DITRA-PS



rotolo guaina autoadesivo in polipropilene

L x B = m <sup>2</sup>	Cod. Art.	CHF / m <sup>2</sup>	pal. (rotoli)
25,4 x 0,985 = 25	D PS 25 M	27,00	6





# Schlüter®-DITRA-HEAT-E

## Un calore accogliente

Con Schlüter-DITRA-HEAT-E il piacere di un riscaldamento elettrico a parete e/o a pavimento è finalmente alla portata di tutti. La bassa inerzia termica del sistema Schlüter-DITRA-HEAT-E permette di accendere il riscaldamento solo quando il calore serve veramente e di contenere così i costi di gestione. Già durante l'installazione il rapido e facile collocamento del cavo scaldante nella guaina di separazione fa risparmiare tempo e quindi costi. Il Vostro portafoglio ringrazierà.

- ✓ Per un ambiente caldo ed accogliente, particolarmente adatto anche per chi soffre di allergie
- ✓ Gestibile con tempi precisi di accensione/spengimento
- ✓ Basso costo di gestione. Durevole. Non richiede alcuna manutenzione
- ✓ Ora ancora più semplice da tagliare a misura e da posare
- ✓ Separa il rivestimento dal sottofondo
- ✓ Miglioramento acustico dei rumori da calpestio certificato, con l'utilizzo della versione Schlüter-DITRA-HEAT-DUO
- ✓ Utilizzabile anche come sistema impermeabilizzante





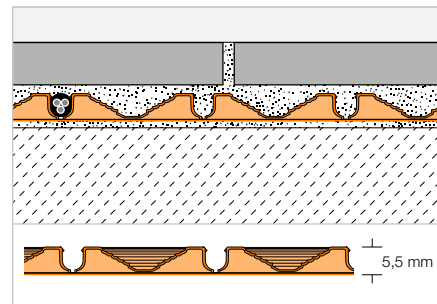
## Separazione in adesione | Riscaldamento

## Schlüter®-DITRA-HEAT



Schlüter-DITRA-HEAT è una guaina in polipropilene con struttura a sottosquadro rivestita sul retro con tessuto non tessuto. La guaina è un sottofondo universale per pavimenti e rivestimenti in ceramica con le funzioni di separazione, impermeabilizzazione e compensazione pressione vapore e può essere allestita con cavo scaldante del sistema per ottenere un riscaldamento elettrico a pavimento ed a parete.

(Scheda tecnica 6.4)



## Schlüter®-DITRA-HEAT-MA

pannello guaina in polipropilene

L x B = m <sup>2</sup>	Cod. Art.	CHF / m <sup>2</sup>	pal. (pz.)
0,8 x 0,98 = 0,78	DH5 MA	27,19	100

## Utensile consigliato:

Schlüter-TROWEL, spatola con dentatura 6 x 6, vedi pagina 336.

## Schlüter®-DITRA-HEAT

rotolo guaina in polipropilene

L x B = m <sup>2</sup>	Cod. Art.	CHF / m <sup>2</sup>	pal. (rotoli)
12,76 x 0,98 = 12,5	DH5 12M	24,17	6



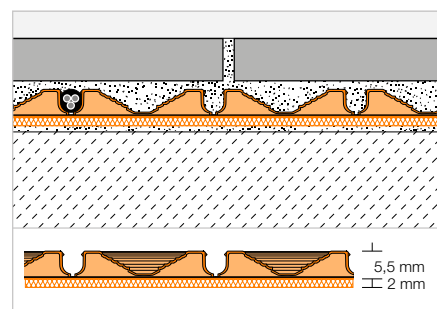
## Separazione in adesione | Riscaldamento

## Schlüter®-DITRA-HEAT-DUO



Schlüter-DITRA-HEAT-DUO è una guaina in polipropilene con struttura a sottosquadro, rivestita sul retro con uno speciale feltro di ancoraggio spesso 2 mm. La guaina è un sottofondo universale per pavimenti e rivestimenti in ceramica con le funzioni di separazione, impermeabilizzazione e compensazione pressione vapore e può essere allestita con cavo scaldante idoneo al sistema per ottenere un riscaldamento elettrico a pavimento ed a parete. Lo speciale feltro di ancoraggio, spesso 2 mm, offre una riduzione del rumore da calpestio fino a 13 dB e funge da scudo termico per una trasmissione più rapida del calore alla superficie della parete o della pavimentazione.

(Scheda tecnica 6.4)



## Schlüter®-DITRA-HEAT-DUO-MA

pannello guaina in polipropilene con feltro di 2 mm ("scudo termico")

L x B = m <sup>2</sup>	Cod. Art.	CHF / m <sup>2</sup>	pal. (pz.)
0,8 x 0,98 = 0,78	DH D 8 MA	33,01	100

## Utensile consigliato:

Schlüter-TROWEL, spatola con dentatura 6 x 6, vedi pagina 336.

## Schlüter®-DITRA-HEAT-DUO

rotolo guaina in polipropilene con feltro di 2 mm ("scudo termico")

L x B = m <sup>2</sup>	Cod. Art.	CHF / m <sup>2</sup>	pal. (rotoli)
10,2 x 0,98 = 10	DH D 810 M	29,29	6





# Schlüter®-DITRA-HEAT-PS

Posa rapida grazie alla tecnologia Peel & Stick



E' disponibile una variante autoadesiva che costituisce una valida alternativa alla classica DITRA-HEAT e che consente di risparmiare tempo e materiale (da utilizzarsi su supporti idonei). Con l'impiego della nuova DITRA-HEAT-PS (Peel & Stick) non è necessario lo strato di colla per ceramica sotto la guaina poiché questa è dotata di uno strato di tessuto non tessuto autoadesivo. Rimangono invariate tutte le altre funzioni della classica DITRA-HEAT.

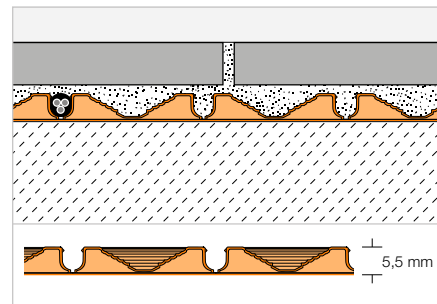
- ✓ **Strato di tessuto non tessuto autoadesivo**
- ✓ **Facile e veloce da installare**
- ✓ **Possibilità di un facile riposizionamento durante l'installazione**
- ✓ **Risparmio di tempo e di materiale**
- ✓ **Subito calpestabile dopo l'installazione**
- ✓ **Separa il rivestimento dal sottofondo**
- ✓ **Facile posa dei cavi scaldanti del sistema**
- ✓ **A scelta si può utilizzare in alternativa DITRA-HEAT-DUO-PS con feltro che funge da isolante acustico e scudo termico**

## Separazione in adesione autoadesiva | Riscaldamento

**Schlüter®-DITRA-HEAT-PS**

Schlüter-DITRA-HEAT-PS è una guaina in polipropilene con struttura a sottosquadro rivestita sul retro con tessuto non tessuto autoadesivo. Dopo avere rimosso la pellicola protettiva, è possibile posare DITRA-HEAT-PS su un sottofondo idoneo senza utilizzare la colla per ceramica. La guaina è impermeabile e funge da alloggiamento dei cavi scaldanti, sia come strato desolidarizzante che di sfogo della pressione del vapore.

(Scheda tecnica 6.5)

**Schlüter®-DITRA-HEAT-MA-PS**

pannello guaina autoadesivo in polipropilene

L x B = m <sup>2</sup>	Cod. Art.	CHF / m <sup>2</sup>	pal. (pz.)
0,8 x 0,98 = 0,78	DH PS 5 MA	<b>35,54</b>	100

**Schlüter®-DITRA-HEAT-PS**

rotolo guaina autoadesivo in polipropilene

L x B = m <sup>2</sup>	Cod. Art.	CHF / m <sup>2</sup>	pal. (rotoli)
12,76 x 0,98 = 12,5	DH PS 512 M	<b>31,30</b>	6

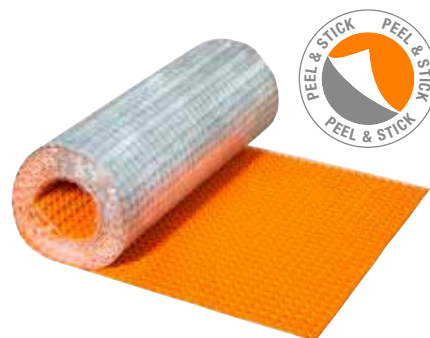
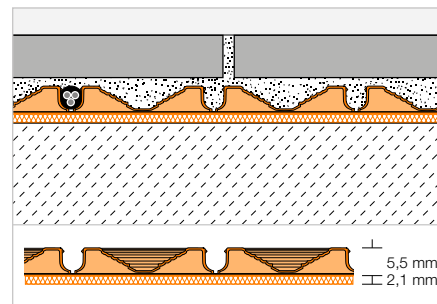


## Separazione in adesione autoadesiva | Riscaldamento

**Schlüter®-DITRA-HEAT-DUO-PS**

Schlüter-DITRA-HEAT-DUO-PS è una guaina in polipropilene con struttura a sottosquadro rivestita sul retro con tessuto non tessuto autoadesivo, insonorizzante spesso 2 mm. Dopo avere rimosso la pellicola protettiva, è possibile posare DITRA-HEAT-DUO-PS su un supporto idoneo senza utilizzare l'adesivo per ceramica. La guaina è impermeabile e funge da alloggiamento dei cavi scaldanti, sia come strato desolidarizzante che di sfogo della pressione del vapore. Lo speciale tessuto non tessuto offre una riduzione del rumore da calpestio fino a 14 dB e funge da scudo termico per una trasmissione più rapida del calore alla superficie della pavimentazione.

(Scheda tecnica 6.5)

**Schlüter®-DITRA-HEAT-DUO-MA-PS**

pannello guaina in polipropilene, autoadesivo, con feltro di 2 mm ("scudo termico")

L x B = m <sup>2</sup>	Cod. Art.	CHF / m <sup>2</sup>	pal. (pz.)
0,8 x 0,98 = 0,78	DH D PS 8 MA	<b>42,37</b>	100

**Schlüter®-DITRA-HEAT-DUO-PS**

rotolo guaina in polipropilene, autoadesivo, con feltro di 2 mm ("scudo termico")

L x B = m <sup>2</sup>	Cod. Art.	CHF / m <sup>2</sup>	pal. (rotoli)
10,2 x 0,98 = 10	DH D PS 810 M	<b>38,48</b>	6

**Nota:**

DITRA-HEAT-PS/-DUO-PS è una guaina impermeabile e le giunzioni tra le guaine vengono impermeabilizzate con l'utilizzo della fascetta KERDI-KEBA ed il collante impermeabilizzante KERDI-COLL. E' un sistema adatto all'uso in locali come bagni e zone umide. Certificazione ETA (European Technical Assessment) o abP (allgemeines bauaufsichtliches Prüfzeugnis) non disponibile. Per impieghi dove viene specificamente richiesto questo tipo di certificazione, si consiglia la versione DITRA-HEAT classica, da incollare al supporto con adesivo per piastrelle.



## Cavi scaldanti

### Schlüter®-DITRA-HEAT-E-HK

12,5<sub>w/m</sub>



Schlüter-DITRA-HEAT-E-HK è un cavo elettrico da riscaldamento con un attacco su un solo lato per la posa nella guaina di separazione Schlüter-DITRA-HEAT. Il cavo ha una potenza di 12,5 W/m. (Scheda tecnica 6.6)



### Schlüter®-DITRA-HEAT-E-HK

cavo scaldante

L (m)	Pavimento riscaldato, 136 W/m <sup>2</sup> *	Parete riscaldata, 200 W/m <sup>2</sup> **	Watt	Cod. Art.	CHF / pz	crt. (pz.)
	m <sup>2</sup>	m <sup>2</sup>				
4	0,4	0,25	50	DH E HK 4	<b>138,23</b>	10
6,76	0,6	0,43	85	DH E HK 6	<b>146,85</b>	10
12,07	1,1	0,7	150	DH E HK 12	<b>226,77</b>	10
17,66	1,6	1	225	DH E HK 17	<b>268,12</b>	10
23,77	2,2	1,5	300	DH E HK 23	<b>298,78</b>	10
29,87	2,7	1,8	375	DH E HK 29	<b>352,43</b>	10
35,97	3,3	2,2	450	DH E HK 35	<b>406,03</b>	10
41,56	3,8	2,6	525	DH E HK 41	<b>451,99</b>	10
47,67	4,4	2,9	600	DH E HK 47	<b>517,88</b>	10
53,77	5	3,3	675	DH E HK 53	<b>574,57</b>	10
59,87	5,5	3,7	750	DH E HK 59	<b>612,85</b>	10
71,57	6,6	4,4	900	DH E HK 71	<b>704,80</b>	10
83,77	7,7	5,1	1050	DH E HK 83	<b>827,36</b>	10
95,47	8,8	5,9	1200	DH E HK 95	<b>942,27</b>	10
107,67	10	6,6	1350	DH E HK 107	<b>1034,21</b>	10
136,16	12,7	8,4	1700	DH E HK 136	<b>1239,69</b>	10
164,07	15	10	2050	DH E HK 164	<b>1482,87</b>	10
192,27	17,7	11,8	2400	DH E HK 192	<b>1734,97</b>	10
216,27	20	13,2	2700	DH E HK 216	<b>1949,99</b>	10
244,37	22,7	15,1	3050	DH E HK 244	<b>2187,25</b>	10

\* posa a passo 3, consigliata a pavimento \*\* posa a passo 2, consigliata a parete

#### Nota:

Il cavo scaldante non può essere accorciato in nessun modo.

E' quindi importante non ordinarne in eccesso rispetto all'effettiva superficie che si intende riscaldare. Per la corretta scelta del cavo scaldante, si fa presente che la "superficie riscaldata" indicata nella tabella in m<sup>2</sup> non corrisponde alla misura complessiva della stanza. Per identificare la superficie riscaldata sono da detrarre dalla superficie totale della stanza le zone non destinate ad essere riscaldate, per es. zone perimetrali o zone per il posizionamento di arredi o di installazioni fisse.

## Cavi scaldanti

## Schlüter®-DITRA-HEAT-E-CHC

7,5 W/m



Schlüter-DITRA-HEAT-E-CHC è un cavo elettrico da riscaldamento con connessione su un solo lato per la posa nella guaina di separazione Schlüter-DITRA-HEAT. Con una potenza di 7,5 W/m questo cavo costituisce una soluzione intelligente ad es. per edifici ad alta efficienza energetica.

(Scheda tecnica 6.6)



## Schlüter®-DITRA-HEAT-E-CHC

cavo scaldante

L (m)	Pavimento riscaldato, 80 W/m <sup>2</sup> *	Parete riscaldata, 120 W/m <sup>2</sup> **	Watt	Cod. Art.	CHF / pz	crt. (pz.)
	m <sup>2</sup>	m <sup>2</sup>				
4	0,4	0,25	30	DH E CHC 4	<b>138,24</b>	10
6,76	0,6	0,43	51	DH E CHC 6	<b>146,86</b>	10
12,07	1,1	0,7	91	DH E CHC 12	<b>226,76</b>	10
17,66	1,6	1	132	DH E CHC 17	<b>268,13</b>	10
23,77	2,2	1,5	178	DH E CHC 23	<b>298,78</b>	10
29,87	2,7	1,8	224	DH E CHC 29	<b>352,42</b>	10
35,97	3,3	2,2	270	DH E CHC 35	<b>406,01</b>	10
41,56	3,8	2,6	312	DH E CHC 41	<b>451,96</b>	10
47,67	4,4	2,9	358	DH E CHC 47	<b>517,88</b>	10
53,77	5	3,3	403	DH E CHC 53	<b>574,59</b>	10
59,87	5,5	3,7	449	DH E CHC 59	<b>612,88</b>	10
71,57	6,6	4,4	537	DH E CHC 71	<b>704,79</b>	10
83,77	7,7	5,1	628	DH E CHC 83	<b>827,38</b>	10
95,47	8,8	5,9	716	DH E CHC 95	<b>942,26</b>	10
107,67	10	6,6	808	DH E CHC 107	<b>1034,23</b>	10
136,16	12,7	8,4	1021	DH E CHC 136	<b>1239,69</b>	10
164,07	15	10	1231	DH E CHC 164	<b>1482,86</b>	10
192,27	17,7	11,8	1442	DH E CHC 192	<b>1734,96</b>	10
216,27	20	13,2	1622	DH E CHC 216	<b>1949,98</b>	10
244,37	22,7	15,1	1833	DH E CHC 244	<b>2187,24</b>	10

\* posa a passo 3, consigliata a pavimento \*\* posa a passo 2, consigliata a parete

**Nota:**

Il cavo scaldante non può essere accorciato in nessun modo.

E' quindi importante non ordinarne in eccesso rispetto all'effettiva superficie che si intende riscaldare. Per la corretta scelta del cavo scaldante, si fa presente che la "superficie riscaldata" indicata nella tabella in m<sup>2</sup> non corrisponde alla misura complessiva della stanza. Per identificare la superficie riscaldata sono da detrarre dalla superficie totale della stanza le zone non destinate ad essere riscaldate, per es. zone perimetrali o zone per il posizionamento di arredi o di installazioni fisse.



## Termostato

### Schlüter®-DITRA-HEAT-E-R6



Schlüter-DITRA-HEAT-E-R6 è un termostato multifunzione con connessione WiFi e comando vocale opzionale. Viene utilizzato per regolare la temperatura dell'ambiente, delle superfici del pavimento e delle pareti riscaldate elettricamente con Schlüter-DITRA-HEAT-E. Potete regolare il vostro riscaldamento con un semplice tocco tramite il grande display touchscreen da 2" (5,1 cm) o, in alternativa, con l'App Schlüter-HEAT-CONTROL per iOS e Android oppure con comando vocale tramite Amazon Alexa o Google Assistant. Il dispositivo può essere utilizzato, a scelta, sia come solo regolatore della temperatura del pavimento che come regolatore della temperatura del pavimento e dell'ambiente. Nel kit è incluso un sensore di riserva.

(Scheda tecnica 6.6)

#### Schlüter®-DITRA-HEAT-E-R6

termostato touchscreen (230 V) con due sensori a distanza, funzione WiFi e comando vocale

Cod. Art.	CHF / kit	conf. (set)
DH E RT 6 / BW	<b>371,67</b>	10
DH E RT 6 / DA	<b>378,00</b>	10

#### Colori disponibili:



BW = bianco segnale

DA = antracite

### Schlüter®-DITRA-HEAT-E-R



Schlüter-DITRA-HEAT-E-R è un termostato per programmare il funzionamento del riscaldamento di pavimenti e pareti riscaldate elettricamente con Schlüter-DITRA-HEAT-E. La gestione avviene tramite un grande display touchscreen da 2" (5,1 cm). Il dispositivo può essere utilizzato, a scelta, sia come solo regolatore della temperatura del pavimento che come regolatore della temperatura del pavimento e dell'ambiente. Nel kit è incluso un sensore di riserva.

(Scheda tecnica 6.6)

#### Schlüter®-DITRA-HEAT-E-R

termostato touchscreen (230 V) con due sensori a distanza

Cod. Art.	CHF / kit	conf. (set)
DH E RT 2 / BW	<b>259,51</b>	10
DH E RT 2 / DA	<b>265,85</b>	10

#### Colori disponibili:



BW = bianco segnale

DA = antracite

### Schlüter®-DITRA-HEAT-E-R3



Schlüter-DITRA-HEAT-E-R3 è un termostato per programmare il funzionamento del riscaldamento di pavimenti e pareti riscaldate elettricamente con Schlüter-DITRA-HEAT-E. La gestione avviene tramite un grande display touchscreen da 3,5" (8,9 cm). Il dispositivo può essere utilizzato, a scelta, sia come solo regolatore della temperatura del pavimento che come regolatore della temperatura del pavimento e dell'ambiente. Nel kit è incluso un sensore di riserva.

(Scheda tecnica 6.6)

#### Schlüter®-DITRA-HEAT-E-R3

termostato touchscreen (230 V) con due sensori a distanza

Cod. Art.	CHF / kit	conf. (set)
DH E RT 3 / BW	<b>344,78</b>	10

## Termostato

### Schlüter®-DITRA-HEAT-E-R4



Schlüter-DITRA-HEAT-E-R4 è un termostato analogico per il controllo elettrico della temperatura di pavimenti e pareti con Schlüter-DITRA-HEAT-E. Si tratta di un termostato di utilizzo semplice ed intuitivo, con un interruttore per l'accensione e lo spegnimento e una manopola per regolare la temperatura. Nel kit è incluso un sensore di riserva.

(Scheda tecnica 6.6)

#### Schlüter®-DITRA-HEAT-E-R4

regolatore analogico (230 V)  
con interruttore on/off e due sensori a distanza

Cod. Art.	CHF / kit	conf. (set)
DH E RT 4 / BW	193,52	10

#### Nota:

Se il sensore a distanza viene installato direttamente nella guaina di separazione Schlüter-DITRA-HEAT, anche il sensore di riserva incluso nel kit deve essere installato nella guaina.

## Svolgicavo

### Schlüter®-DITRA-HEAT-E-KARO



Schlüter-DITRA-HEAT-E-KARO è un valido strumento, pratico da movimentare in cantiere, per rendere la posa del cavo DITRA-HEAT-E ancora più facile. Può essere utilizzato con tutte le lunghezze del cavo scaldante DITRA-HEAT.

(Scheda tecnica 6.6)

#### Schlüter®-DITRA-HEAT-E-KARO

svolgicavo

Cod. Art.	CHF / pz	crt. (pz.)
DH ZK A	420,75	5

## Tester

### Schlüter®-DITRA-HEAT-E-CT



Schlüter-DITRA-HEAT-E-CT è un tester per la misurazione e il controllo della resistenza dei cavi elettrici da riscaldamento Schlüter-DITRA-HEAT-E-HK e -CHC come pure dei sensori a distanza forniti con i termostati Schlüter-DITRA-HEAT-E. Il tester può rimanere collegato per tutta la fase d'installazione sorvegliando così in maniera costante l'integrità e la corretta resistenza del cavo scaldante. In caso di danneggiamento accidentale durante l'installazione il tester avvisa l'applicatore con un segnale acustico.

(Scheda tecnica 6.6)

#### Schlüter®-DITRA-HEAT-E-CT

tester

Cod. Art.	CHF / pz	crt. (pz.)
DH E CT	44,26	10

## Kit di montaggio

### Schlüter®-DITRA-HEAT-E-ZS



Schlüter-DITRA-HEAT-E-ZS è un kit di montaggio composto da un tubo corrugato (3 m), una scatola ad incasso e il manicotto per il sensore. Il kit viene utilizzato nel caso si opti per il montaggio estraibile del sensore sotto la guaina.

(Scheda tecnica 6.6)

#### Schlüter®-DITRA-HEAT-E-ZS

kit di montaggio per sensore estraibile

Cod. Art.	CHF / kit	conf. (set)
DH E ZS 1	17,80	10





## Separazione in adesione | Riscaldamento



## Schlüter®-DITRA-HEAT-E-WS



Schlüter-DITRA-HEAT-E-WS sono kit completi di montaggio per il riscaldamento elettrico a parete. I kit contengono le guaine di separazione Schlüter-DITRA-HEAT-MA, i cavi scaldanti Schlüter-DITRA-HEAT-E-HK, il termostato programmabile touchscreen Schlüter-DITRA-HEAT-E-R oppure il termostato DITRA-HEAT-E-R6 con touchscreen e connessione WiFi e comando vocale opzionale. E' possibile aumentare la superficie desolidarizzata aggiungendo ulteriori pannelli Schlüter-DITRA-HEAT.

(Scheda tecnica 6.4)

## Tutti i kit contengono:

- Schlüter-DITRA-HEAT-MA guaine di desolidarizzazione a pannello, vedi tabella.
- Cavo scaldante Schlüter-DITRA-HEAT-E-HK come da tabella (con posa a passo 2 rilievi  $\triangleq$  200 W/m<sup>2</sup>)
- 1 Schlüter-DITRA-HEAT-E-R termostato programmabile touchscreen oppure DITRA-HEAT-E-R6 termostato programmabile touchscreen WiFi e comando vocale opzionale
- 2 Scatole di derivazione
- 1 Tubo corrugato (3 m)

## Schlüter®-DITRA-HEAT-E-WS

kit completo parete

Quantità pz. di pannello	Schlüter®-DITRA-HEAT-MA Superficie desolidarizzata in m <sup>2</sup>	Schlüter®-DITRA-HEAT-E-HK		Cod. Art.	CHF / kit	conf. (set)
		Parete riscaldata, 200 W/m <sup>2</sup>				
		m <sup>2</sup>	W			
3	2,3	1,8	375	DH WS2	<b>674,36</b>	9
4	3,1	2,6	525	DH WS1	<b>797,64</b>	9

## Schlüter®-DITRA-HEAT-E-WS



kit completo – parete con WiFi e comando vocale opzionale

Quantità pz. di pannello	Schlüter®-DITRA-HEAT-MA Superficie desolidarizzata in m <sup>2</sup>	Schlüter®-DITRA-HEAT-E-HK		Cod. Art.	CHF / kit	conf. (set)
		Parete riscaldata, 200 W/m <sup>2</sup>				
		m <sup>2</sup>	W			
3	2,3	1,8	375	DH RT6 WS2	<b>706,60</b>	9
4	3,1	2,6	525	DH RT6 WS1	<b>830,66</b>	9



## Separazione in adesione | Riscaldamento



### Schlüter®-DITRA-HEAT-E-DUO-S



Schlüter-DITRA-HEAT-E-DUO-S sono kit completi per la realizzazione di sistemi di riscaldamento elettrico per pavimenti e pareti. I kit contengono le guaine di separazione Schlüter-DITRA-HEAT-DUO-MA (0,8 x 0,98 m), i cavi scaldanti Schlüter-DITRA-HEAT-E-HK ed il termostato touchscreen programmabile Schlüter-DITRA-HEAT-E-R oppure DITRA-HEAT-E-R6 con connessione WiFi e comando vocale opzionale. Lo speciale feltro di ancoraggio, già integrato nella guaina di separazione, offre una riduzione del rumore da calpestio e funge da scudo termico per una trasmissione più rapida del calore. E' possibile aumentare la superficie desolidarizzata aggiungendo ulteriori pannelli DITRA-HEAT-DUO. (Scheda tecnica 6.4)

#### Tutti i kit contengono:

- Pannello di guaina di separazione Schlüter-DITRA-HEAT-DUO-MA come da tabella
- Cavo scaldante Schlüter-DITRA-HEAT-E-HK come da tabella (con posa a passo 3 rilievi  $\triangleq 136 \text{ W/m}^2$  / con posa a passo 2 rilievi  $\triangleq 200 \text{ W/m}^2$ )
- 1 Schlüter-DITRA-HEAT-E-R termostato programmabile touchscreen oppure DITRA-HEAT-E-R6 termostato programmabile touchscreen WiFi e comando vocale opzionale
- 2 Scatole di derivazione
- 1 Tubo corrugato (3 m)

### Schlüter®-DITRA-HEAT-E-DUO-S

kit completo – pavimento e parete

Schlüter®-DITRA-HEAT-DUO-MA		Schlüter®-DITRA-HEAT-E-HK				Cod. Art.	CHF / kit	conf. (set)
Quantità pz. di pannello	Superficie desolidarizzata in m <sup>2</sup>	Pavimento riscaldato, 136 W/m <sup>2</sup> *		Parete riscaldata, 200 W/m <sup>2</sup> **				
		m <sup>2</sup>	W	m <sup>2</sup>	W			
2	1,5	1,1	150	0,7	150	DH D S1	<b>561,23</b>	9
3	2,3	1,6	225	1	225	DH D S2	<b>623,60</b>	9
4	3,1	2,2	300	1,5	300	DH D S3	<b>674,36</b>	9
5	3,9	2,7	375	1,8	375	DH D S4	<b>746,89</b>	8
6	4,7	3,3	450	2,2	450	DH D S5	<b>819,40</b>	8
7	5,4	3,8	525	2,6	525	DH D S6	<b>902,05</b>	5
8	6,2	4,4	600	2,9	600	DH D S7	<b>974,57</b>	5
9	7	5	675	3,3	675	DH D S8	<b>1061,58</b>	4
10	7,8	5,5	750	3,7	750	DH D S9	<b>1123,93</b>	4

### Schlüter®-DITRA-HEAT-E-DUO-S



kit completo – pavimento e parete con WiFi e comando vocale opzionale

Schlüter®-DITRA-HEAT-DUO-MA		Schlüter®-DITRA-HEAT-E-HK				Cod. Art.	CHF / kit	conf. (set)
Quantità pz. di pannello	Superficie desolidarizzata in m <sup>2</sup>	Pavimento riscaldato, 136 W/m <sup>2</sup> *		Parete riscaldata, 200 W/m <sup>2</sup> **				
		m <sup>2</sup>	W	m <sup>2</sup>	W			
2	1,5	1,1	150	0,7	150	DH D RT6 S1	<b>596,80</b>	9
3	2,3	1,6	225	1	225	DH D RT6 S2	<b>656,69</b>	9
4	3,1	2,2	300	1,5	300	DH D RT6 S3	<b>706,60</b>	9
5	3,9	2,7	375	1,8	375	DH D RT6 S4	<b>779,33</b>	8
6	4,7	3,3	450	2,2	450	DH D RT6 S5	<b>852,04</b>	8
7	5,4	3,8	525	2,6	525	DH D RT6 S6	<b>934,76</b>	5
8	6,2	4,4	600	2,9	600	DH D RT6 S7	<b>1007,49</b>	5
9	7	5	675	3,3	675	DH D RT6 S8	<b>1094,46</b>	4
10	7,8	5,5	750	3,7	750	DH D RT6 S9	<b>1160,04</b>	4

\* posa a passo 3, consigliata a pavimento \*\* posa a passo 2, consigliata a parete

## Separazione in adesione | Riscaldamento



## Schlüter®-DITRA-HEAT-E-DUO-WS



Schlüter-DITRA-HEAT-E-DUO-WS sono kit completi per la realizzazione di sistemi di riscaldamento elettrico a parete. I kit contengono le guaine di separazione Schlüter-DITRA-HEAT-DUO-MA (0,8 x 0,98 m), i cavi scaldanti Schlüter-DITRA-HEAT-E-HK ed il termostato touchscreen programmabile Schlüter-DITRA-HEAT-E-R oppure DITRA-HEAT-E-R6 con connessione WiFi e comando vocale opzionale. Lo speciale feltro di ancoraggio, già integrato nella guaina di separazione, funge da scudo termico per una trasmissione più rapida del calore. E' possibile aumentare la superficie desolidarizzata aggiungendo ulteriori pannelli DITRA-HEAT-DUO.

(Scheda tecnica 6.4)

## Tutti i kit contengono:

- Pannello di guaina di separazione Schlüter-DITRA-HEAT-DUO-MA come da tabella
- Cavo scaldante Schlüter-DITRA-HEAT-E-HK come da tabella (con posa a passo 2 rilievi  $\pm 200 \text{ W/m}^2$ )
- 1 Schlüter-DITRA-HEAT-E-R termostato programmabile touchscreen oppure DITRA-HEAT-E-R6 termostato programmabile touchscreen WiFi e comando vocale opzionale
- 2 Scatole di derivazione
- 1 Tubo corrugato (3 m)

## Schlüter®-DITRA-HEAT-E-DUO-WS

kit completo parete

Schlüter®-DITRA-HEAT-DUO-MA		Schlüter®-DITRA-HEAT-E-HK		Cod. Art.	CHF / kit	conf. (set)
Quantità pz. di pannello	Superficie desolidarizzata in m <sup>2</sup>	Parete riscaldata, 200 W/m <sup>2</sup>				
		m <sup>2</sup>	W			
3	2,3	1,8	375	DH D S11	<b>687,98</b>	9
4	3,1	2,6	525	DH D S10	<b>815,76</b>	9

## Schlüter®-DITRA-HEAT-E-DUO-WS



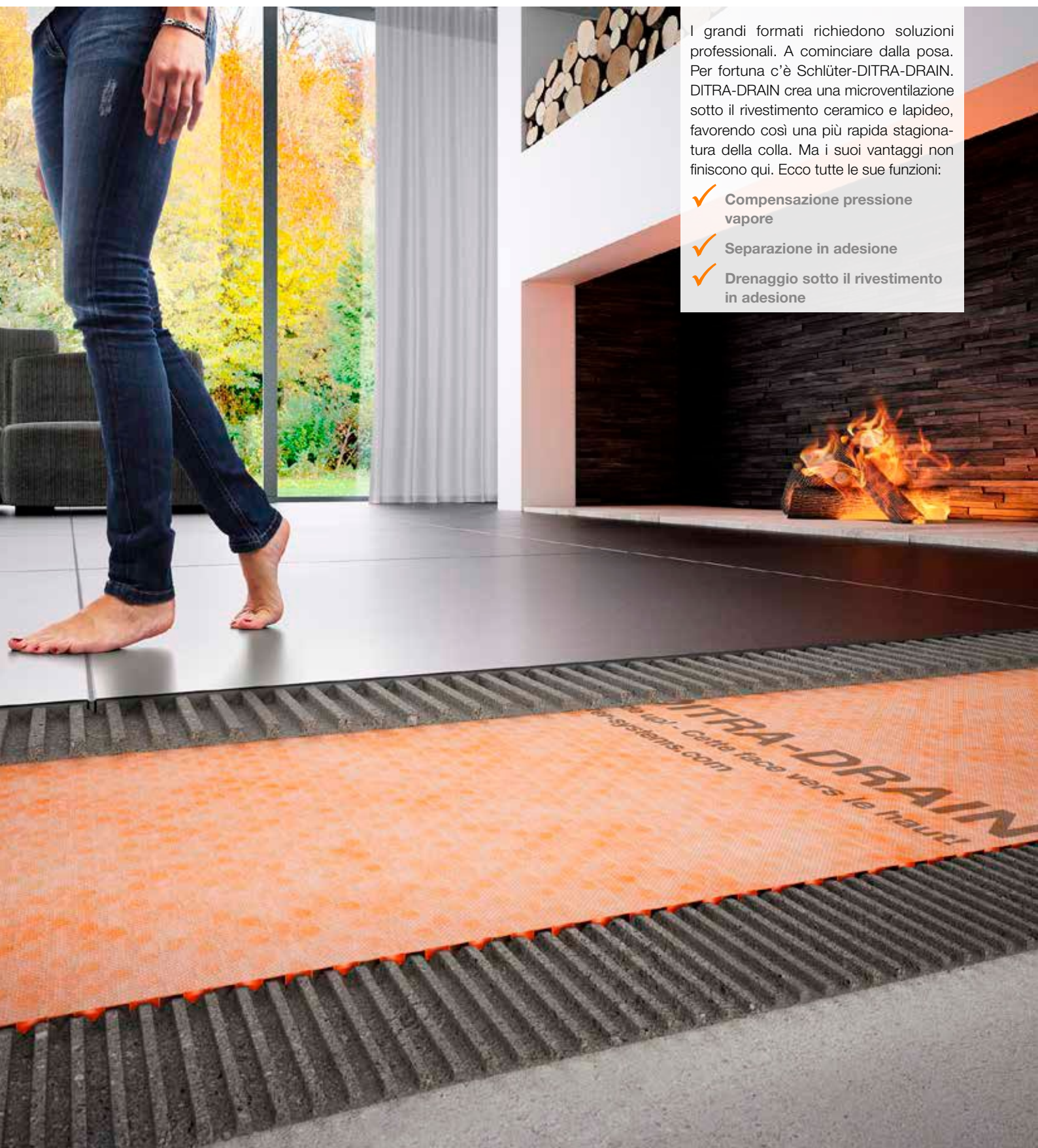
kit completo – parete con WiFi e comando vocale opzionale

Schlüter®-DITRA-HEAT-DUO-MA		Schlüter®-DITRA-HEAT-E-HK		Cod. Art.	CHF / kit	conf. (set)
Quantità pz. di pannello	Superficie desolidarizzata in m <sup>2</sup>	Parete riscaldata, 200 W/m <sup>2</sup>				
		m <sup>2</sup>	W			
3	2,3	1,8	375	DH D RT6 S11	<b>720,85</b>	9
4	3,1	2,6	525	DH D RT6 S10	<b>849,20</b>	9



# Schlüter®-DITRA-DRAIN

Pensate in grande



I grandi formati richiedono soluzioni professionali. A cominciare dalla posa. Per fortuna c'è Schlüter-DITRA-DRAIN. DITRA-DRAIN crea una microventilazione sotto il rivestimento ceramico e lapideo, favorendo così una più rapida stagionatura della colla. Ma i suoi vantaggi non finiscono qui. Ecco tutte le sue funzioni:

- ✓ **Compensazione pressione vapore**
- ✓ **Separazione in adesione**
- ✓ **Drenaggio sotto il rivestimento in adesione**

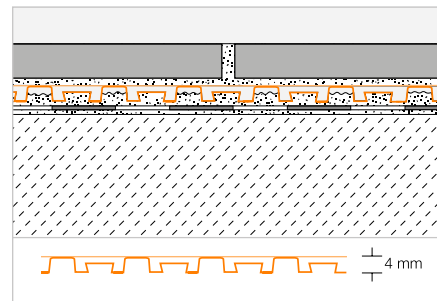
## Drenaggio in adesione

## Schlüter®-DITRA-DRAIN 4



Schlüter-DITRA-DRAIN 4 è una guaina in polietilene che presenta una struttura con rilievi sormontati nella parte superiore da un tessuto non tessuto in polipropilene. Questo efficace sottofondo per rivestimenti in ceramica funge da guaina di drenaggio a capillare passivo e da desolidarizzante tra sottofondo e pavimentazione in ceramica, risultando adatta per svariate applicazioni.

(Scheda tecnica 6.2)



## Schlüter®-DITRA-DRAIN 4

rotolo in polietilene

L (m)	Larghezza = 1,00 m Cod. Art.	CHF / m <sup>2</sup>	pal. (rotoli)
10	DITRA-DRAIN 10M	27,20	12
25	DITRA-DRAIN 25M	24,54	6

## Utensile consigliato:

Schlüter-TROWEL, spatola con dentatura 6 x 6, vedi pagina 336.

## Schlüter®-DITRA-DRAIN-STU

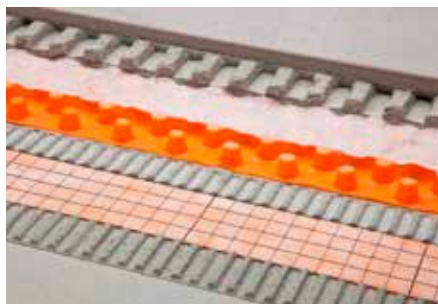
nastro autoadesivo per sormonti e raccordi

L (m)	Larghezza = 90 mm Cod. Art.	CHF / m	crt. (pz.)
5	STUV KB 90/ 5M	9,17	10
30	STUV KB 90/30M	8,10	10



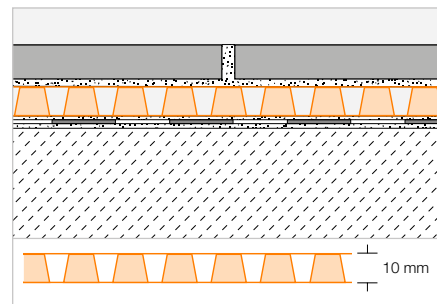
## Drenaggio in adesione

## Schlüter®-DITRA-DRAIN 8



Schlüter-DITRA-DRAIN 8 è una guaina in polietilene con una struttura a rilievi. Il lato inferiore è provvisto di uno speciale tessuto per l'ancoraggio del collante e il lato superiore di uno speciale tessuto filtrante. Schlüter-DITRA-DRAIN 8 è un sottofondo universale per superfici piastrellabili, funge da separazione in adesione e da sistema drenante a capillare passivo, resistente nel tempo.

(Scheda tecnica 6.2)



## Schlüter®-DITRA-DRAIN 8

rotolo in polietilene

L (m)	Larghezza = 1,00 m Cod. Art.	CHF / m <sup>2</sup>	pal. (rotoli)
12,5	DITRA-DRAIN 8 12M	26,07	6

## Schlüter®-DITRA-DRAIN-STU

nastro autoadesivo per sormonti e raccordi

L (m)	Larghezza = 90 mm Cod. Art.	CHF / m	crt. (pz.)
5	STUV KB 90/ 5M	9,17	10
30	STUV KB 90/30M	8,10	10

## Utensile consigliato:

Schlüter-TROWEL, spatola con dentatura 4 x 4, vedi pagina 336.



# Schlüter®-DITRA-SOUND

Isolante acustico dai rumori da calpestio



Schlüter-DITRA-SOUND riduce in modo importante ed efficace la trasmissione di rumore da calpestio. In caso di ristrutturazione si può ottenere un abbattimento del rumore da calpestio fino a 13 dB (A). Questo valore corrisponde ad una percezione del rumore ridotto del 50%. Le funzioni di Schlüter-DITRA-SOUND non finiscono qui...

- ✓ **Riduzione del rumore da calpestio e del rumore "aereo"**
- ✓ **Ponte sulle crepe**
- ✓ **Distribuzione del carico**



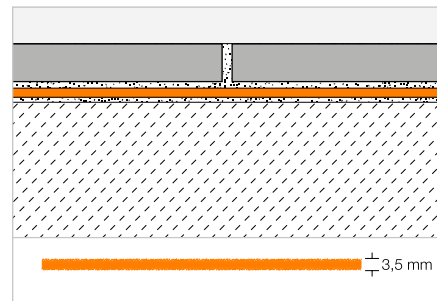
## Isolanti acustici dai rumori da calpestio

## Schlüter®-DITRA-SOUND



Schlüter-DITRA-SOUND è un tappetino acustico formato da un pannello di polietilene rivestito su entrambi i lati di un tessuto feltro che ne assicura un efficace ancoraggio al collante per ceramica. DITRA-SOUND, assieme al rivestimento ceramico, costituisce un sistema compatto per l'isolamento dei rumori da calpestio.

(Scheda tecnica 6.3)

**Nota:**

Per grossi quantitativi è disponibile l'imballo da cantiere DITRA-S 355 LV: Schlüter-DITRA-SOUND viene fornito, in questo caso, privo di imballaggio esterno per ridurre i materiali da smaltire.

**Schlüter®-DITRA-SOUND** ★

tappetino acustico

H (mm)	55 x 75 cm = 0,41 m <sup>2</sup> Cod. Art.	CHF / Conf.	PL (conf.)
3,5	DITRA-S 355/5	75,67	80

Conf. = 5 pz.

**Utensile consigliato:**

Schlüter-TROWEL, spatola con dentatura 4 x 4, vedi pagina 336.

**Schlüter®-DITRA-SOUND**

tappetino acustico imballo per cantiere

H (mm)	55 x 75 cm = 0,41 m <sup>2</sup> Cod. Art.	CHF / m <sup>2</sup>	pal. (pz.)
3,5	DITRA-S 355 LV	35,49	400

## Coprigiunzioni | Strisce perimetrali

**Schlüter®-DITRA-SOUND-KB**

strisce adesive per coprire giunzioni

38 mm x 50 m Cod. Art.	CHF / pz	crt. (pz.)
DS KB 38	19,00	10

**Schlüter®-DITRA-SOUND-RSK**

strisce perimetrali

6 x 30 mm x 10 m Cod. Art.	CHF / m	crt. (pz.)
DS RSK 630	1,79	20

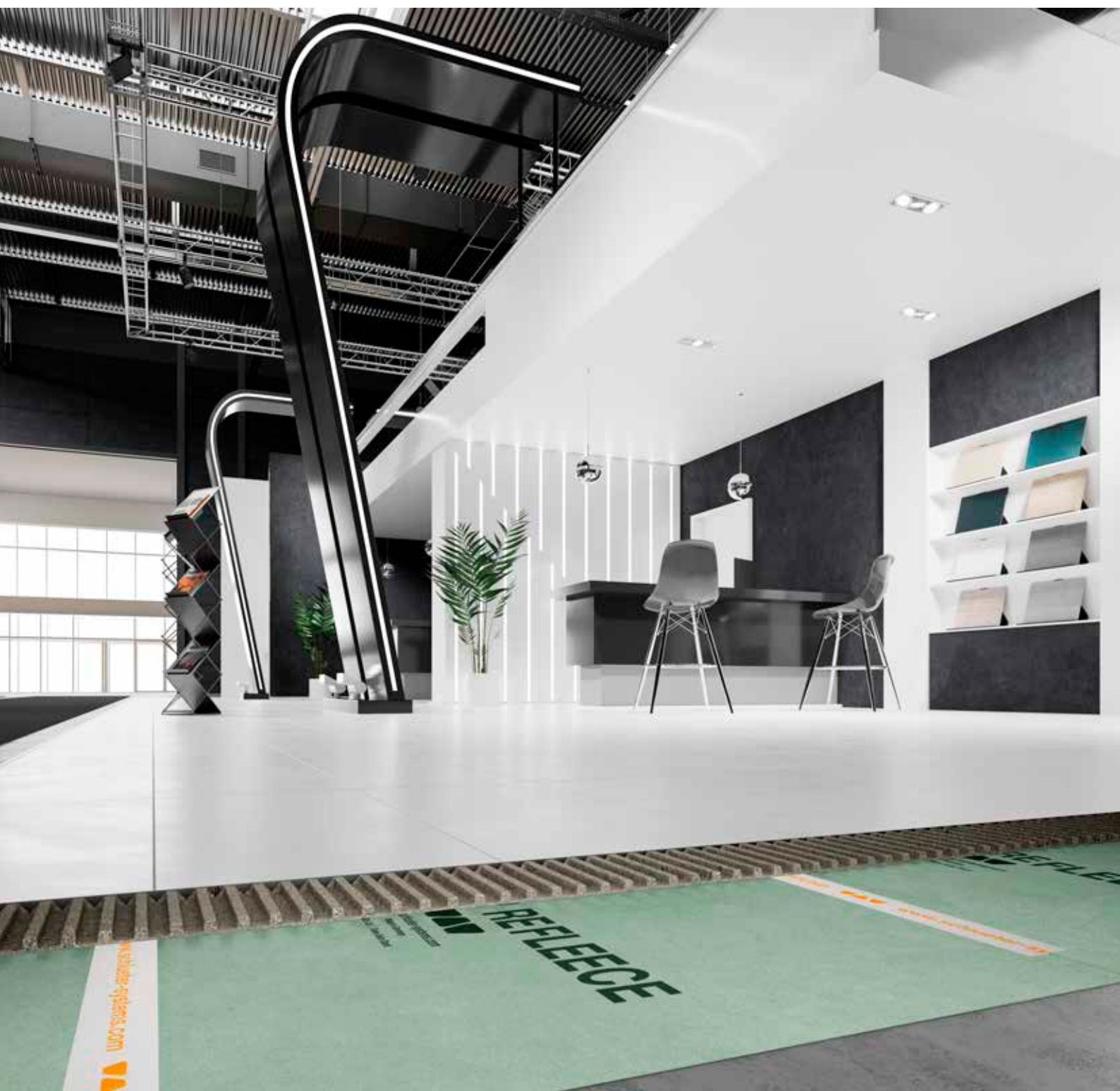


# Schlüter®-REFLEECE

## La pratica guaina per posa rimovibile

Sale mostra, fiere, negozi: i campi di applicazione, nei quali i rivestimenti sono soggetti a cambi frequenti, sono molteplici. In queste applicazioni la possibilità di un rapido ripristino della situazione originaria costituisce un beneficio importante.

La soluzione si chiama Schlüter-REFLEECE. Lo strato autoaderente in tessuto non tessuto funge da sottofondo di separazione, evitando che l'adesivo utilizzato per la posa della ceramica o pietra naturale venga a contatto con il pavimento pre-esistente da conservare. In questo modo è possibile una rimozione facile e priva di residui, senza danneggiare la parte sottostante. Schlüter-REFLEECE riduce inoltre la trasmissione del rumore da calpestio fino a 9 dB (secondo la normativa DIN EN ISO 10140). La guaina è prodotta da bottiglie in PET riciclate.

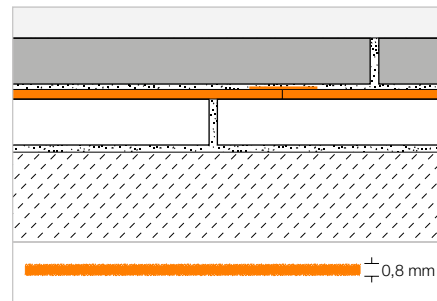




## Guaina per posa rimovibile

**Schlüter®-REFLEECE**

Schlüter-REFLEECE è un tessuto fatto con PET riciclato e dotato sul retro di uno strato aderente. E' adatto per una posa facilmente rimovibile di rivestimenti in ceramica o pietra naturale. Se in futuro si intende rimuovere il rivestimento, la parte posteriore aderente può essere rimossa senza danneggiare il pavimento pre-esistente da conservare. (Scheda tecnica 20.1)

**Schlüter®-REFLEECE**

rotolo in polietilene

1 m x 30 m Cod. Art.	CHF / m <sup>2</sup>	pal. (rotoli)
REFL 30M	21,28	6

**Schlüter®-DITRA-SOUND-KB**

strisce adesive per coprire giunzioni

38 mm x 50 m Cod. Art.	CHF / pz	crt. (pz.)
DS KB 38	19,00	10





# Schlüter®-KERDI

Impermeabilizzazione a parete e a pavimento,  
sistemi di scarico, accessori per la doccia

Schlüter-KERDI è una guaina impermeabilizzante per pavimenti e pareti. Grazie al suo pratico disegno centimetrato, si può facilmente tagliare nella misura desiderata. La gamma KERDI è un sistema completo che include fascette impermeabilizzanti, pezzi speciali preformati per angoli e tubi passanti. Con la colla impermeabilizzante Schlüter-KERDI-COLL per incollare le fascette e le zone di giunzione si ottiene un sistema di impermeabilizzazione completo, certificato CE. Il sistema è perfettamente compatibile con gli scarichi della serie Schlüter-KERDI-DRAIN, le canaline lineari della gamma Schlüter-KERDI-LINE ed i piatti doccia della serie Schlüter-KERDI-SHOWER.





### Schlüter®-KERDI

Sistema di impermeabilizzazione in adesione	188–190
Accessori	191–196

### Schlüter®-KERDI-LINE

Elegante sistema di scarico lineare	197
KERDI-LINE Design	199, 209
Scarico di superficie	200–206
Canaline di scarico	210–221, 224–226
Kit completi – docce a filo pavimento lineari	227
Accessori	222–223

### Schlüter®-KERDI-DRAIN

Scarico puntuale per interni	237
KERDI-DRAIN Design	239
Scarico puntuale	240–245
Kit di drenaggio	249
Accessori	246–248

### Schlüter®-KERDI-SHOWER

Pannelli pendenziati per KERDI-LINE	228–229
Pannelli pendenziati per KERDI-DRAIN	251–252
Kit di impermeabilizzazione	250

### Schlüter®-SHOWERPROFILE

Profilo a cuneo	230–231
Profili per docce a filo pavimento	232–236

### Schlüter®-SHELF

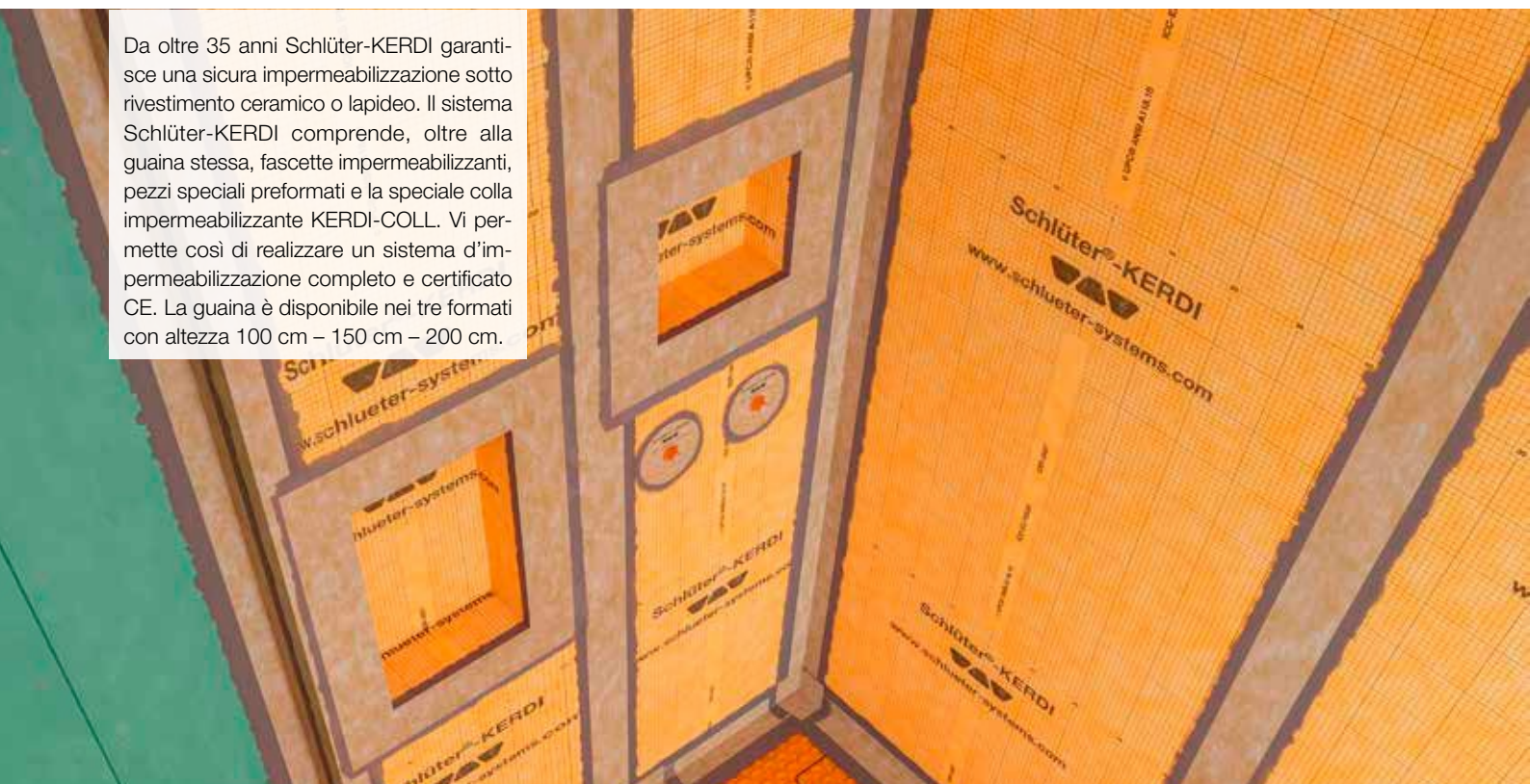
Mensole	254–263
---------	---------



# Schlüter®-KERDI

Impermeabilizzazione pensata in ogni dettaglio

Da oltre 35 anni Schlüter-KERDI garantisce una sicura impermeabilizzazione sotto rivestimento ceramico o lapideo. Il sistema Schlüter-KERDI comprende, oltre alla guaina stessa, fascette impermeabilizzanti, pezzi speciali preformati e la speciale colla impermeabilizzante KERDI-COLL. Vi permette così di realizzare un sistema d'impermeabilizzazione completo e certificato CE. La guaina è disponibile nei tre formati con altezza 100 cm – 150 cm – 200 cm.

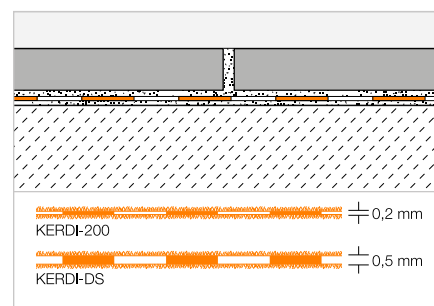


## Sistema di impermeabilizzazione in adesione

### Schlüter®-KERDI



Schlüter-KERDI è una guaina in polietilene munita di un tessuto feltrato su entrambi i lati che ne facilita l'ancoraggio al collante. E' particolarmente adatta per l'impermeabilizzazione di pavimenti e pareti. La versione Schlüter-KERDI-DS è caratterizzata da una bassissima permeabilità e funge perciò, in abbinamento al manto ceramico o lapideo, da barriera vapore. (Scheda tecnica 8.1)



#### Schlüter®-KERDI 200

rotolo in polietilene

L (m)	m <sup>2</sup>	Larghezza = 1,00 m Cod. Art.	CHF / m <sup>2</sup>	pal. (rotoli)
5	5	KERDI 200 / 5M	26,93	75
10	10	KERDI 200 / 10M	24,30	50
30	30	KERDI 200	22,12	20
<b>Larghezza = 1,50 m</b>				
20	30	KERDI 200 150 / 20M	22,12	20
<b>Larghezza = 2,00 m</b>				
15	30	KERDI 200 200 / 15M	22,12	20

#### Schlüter®-KERDI-DS

rotolo in polietilene, barriera vapore

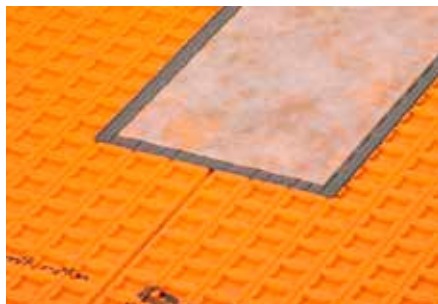
L (m)	Larghezza = 1,00 m Cod. Art.	CHF / m <sup>2</sup>	pal. (rotoli)
30	KERDI-DS	25,53	25

#### Utensile consigliato:

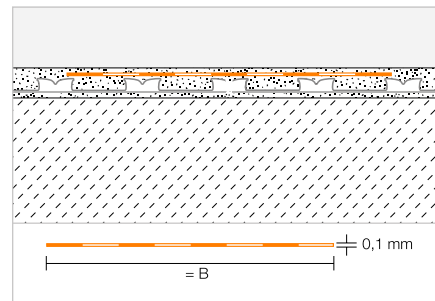
Schlüter-TROWEL, spatola con dentatura 4 x 4, vedi pagina 336.

## Fascetta impermeabilizzante

### Schlüter®-KERDI-KEBA



Schlüter-KERDI-KEBA è una fascetta impermeabilizzante in polietilene con tessuto filtrato su entrambi i lati. È utilizzata per sigillare i perimetri, le giunzioni delle guaine impermeabilizzanti e dei pannelli KERDI-BOARD dove viene richiesta un'impermeabilizzazione. (Scheda tecnica 8.1)



#### Schlüter®-KERDI-KEBA

rotolo in polietilene

B (mm)	Rotoli = 30 m Cod. Art.	CHF / m	pal. (rotoli)
85	KEBA 100 / 85	<b>2,98</b>	336
125	KEBA 100 / 125	<b>4,53</b>	210
150	KEBA 100 / 150	<b>4,79</b>	210
185	KEBA 100 / 185	<b>6,19</b>	168
250	KEBA 100 / 250	<b>8,03</b>	126

#### Schlüter®-KERDI-KEBA/5M

rotolo in polietilene

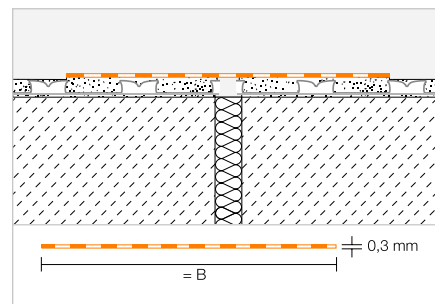
B (mm)	Rotoli = 5 m Cod. Art.	CHF / m	crt. (rotoli)
85	KEBA 100 / 85 / 5M	<b>4,23</b>	10
125	KEBA 100 / 125 / 5M	<b>5,65</b>	10
150	KEBA 100 / 150 / 5M	<b>6,06</b>	10
185	KEBA 100 / 185 / 5M	<b>7,38</b>	10
250	KEBA 100 / 250 / 5M	<b>9,27</b>	10

## Fascetta impermeabilizzante

### Schlüter®-KERDI-FLEX



Schlüter-KERDI-FLEX è una fascetta impermeabilizzante elastica, adatta per impermeabilizzare le zone ove vi siano dei giunti di frazionamento. (Scheda tecnica 8.1)



#### Schlüter®-KERDI-FLEX

rotolo in polietilene

B (mm)	Rotoli = 30 m Cod. Art.	CHF / m	pal. (rotoli)
125	FLEX 125 / 30	<b>7,69</b>	210
250	FLEX 250 / 30	<b>14,02</b>	126

#### Schlüter®-KERDI-FLEX/5M

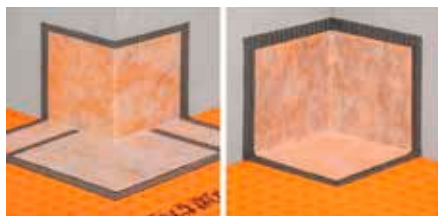
rotolo in polietilene

B (mm)	Rotoli = 5 m Cod. Art.	CHF / m	crt. (rotoli)
125	FLEX 125 / 5M	<b>10,02</b>	10
250	FLEX 250 / 5M	<b>16,23</b>	10



## Angoli preformati

### Schlüter®-KERDI-KERECK



Schlüter-KERDI-KERECK sono pezzi speciali ad intaglio/preformati da applicare negli angoli interni ed esterni, anche nel caso in cui non siano perfettamente a 90°.

(Scheda tecnica 8.1)

#### Schlüter®-KERDI-KERECK/A

angolo esterno, a intaglio/preformato

Spessore (mm)	Conf. = 5 pz. Cod. Art.	CHF / Conf.	crt. (conf.)
0,1	KERECK 5 A	31,82	10

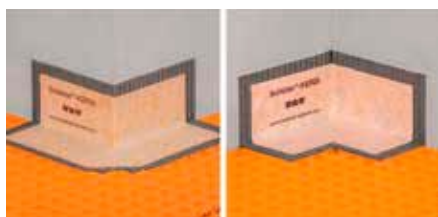
#### Schlüter®-KERDI-KERECK/I

angolo interno, a intaglio/preformato

Spessore (mm)	Conf. = 5 pz. Cod. Art.	CHF / Conf.	crt. (conf.)
0,1	KERECK 5 I	27,28	10

## Angoli preformati

### Schlüter®-KERDI-KERECK-F



Schlüter-KERDI-KERECK-F sono pezzi speciali preformati da applicare negli angoli interni ed esterni.

(Scheda tecnica 8.1)

#### Schlüter®-KERDI-KERECK-F/A

angolo esterno 90°, preformati

Spessore (mm)	Conf. = 2 pz. Cod. Art.	CHF / Conf.	crt. (conf.)
0,1	KERECK / FA2	25,41	10
	Conf. = 10 pz.		
0,1	KERECK / FA10	107,23	10
	Conf. = 50 pz.		
0,1	KERECK / FA50	472,78	10

#### Schlüter®-KERDI-KERECK-F/I

angolo interno 90°, preformati

Spessore (mm)	Conf. = 2 pz. Cod. Art.	CHF / Conf.	crt. (conf.)
0,1	KERECK / FI2	21,73	10
	Conf. = 10 pz.		
0,1	KERECK / FI10	89,05	10
	Conf. = 50 pz.		
0,1	KERECK / FI50	415,70	10

#### Schlüter®-KERDI-KERECK-F/I 135°

angolo interno 135°, preformati

Spessore (mm)	Conf. = 2 pz. Cod. Art.	CHF / Conf.	crt. (conf.)
0,1	KERECK 135 FI2	25,72	10

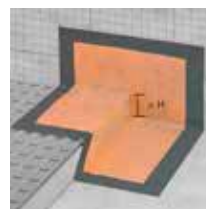
## Angoli preformati

### Schlüter®-KERDI-KERS

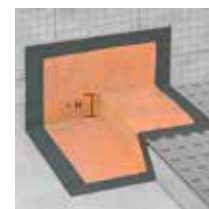


Schlüter-KERDI-KERS sono pezzi speciali preformati per realizzare l'impermeabilizzazione degli angoli dei piatti doccia piastrellabili.

(Scheda tecnica 8.1)



Schlüter-KERDI-KERS sinistro



Schlüter-KERDI-KERS destro

#### Schlüter®-KERDI-KERS

angolo interno preformato sinistro

H (mm)	Cod. Art.	CHF / pz	crt. (pz.)
20	KERS 20 L	17,51	10
28	KERS 28 L	17,51	10

#### Schlüter®-KERDI-KERS

angolo interno preformato destro

H (mm)	Cod. Art.	CHF / pz	crt. (pz.)
20	KERS 20 R	17,51	10
28	KERS 28 R	17,51	10

#### Nota:

I prodotti Schlüter-KERDI-KERS 20 possono essere utilizzati per docce di lunghezza da 80 a 110 cm.

I prodotti Schlüter-KERDI-KERS 28 possono essere utilizzati per docce di lunghezza da 110 a 150 cm.

## Tassello di tenuta

### Schlüter®-KERDI-MV

Schlüter-KERDI-MV sono tasselli di tenuta prefabbricati per la sigillatura dei tubi secondo la DIN 18534. Grazie alla zona centrale elastica (senza tessuto non tessuto) i tasselli possono essere utilizzati per diametri di tubo diversi (vedi tabella).

(Scheda tecnica 8.1)

#### Schlüter®-KERDI-MV

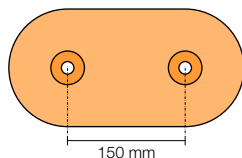
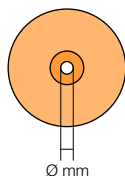
tassello di tenuta con zona centrale elastica (contenuto: 1 pz.)

Ø mm	Per diametro tubo (mm)	Cod. Art.	CHF / pz	crt. (pz.)
9	12 – 30	KMV 9	<b>11,26</b>	10
15	22 – 40	KMV 15	<b>11,26</b>	10
21	30 – 60	KMV 21	<b>12,53</b>	10
35	45 – 80	KMV 35	<b>13,40</b>	10
65	75 – 140	KMV 65	<b>16,89</b>	10
15	22 – 40	KMV 15 D	<b>20,20</b>	10

#### Schlüter®-KERDI-MV

tassello di tenuta con zona centrale elastica (contenuto: 10 pz.)

Ø mm	Per diametro tubo (mm)	Cod. Art.	CHF / Conf.	crt. (conf.)
15	22 – 40	KMV 15/10	<b>90,48</b>	10
15	22 – 40	KMV 15 D/10	<b>166,18</b>	10



KMV 9



KMV 15



KMV 21



KMV 35



KMV 65



KMV 15 D\*

\* distanza interasse 150 mm

## Tassello di tenuta

### Schlüter®-KERDI-PAS

Schlüter-KERDI-PAS è un set composto da un tassello di tenuta con zona centrale elastica e da uno speciale manicotto in plastica. Il tassello di tenuta viene inserito sulla tubazione tramite il manicotto temporaneo di montaggio, in modo che la valvola o prolunga montata successivamente risulti sigillata in conformità con la DIN 18534.

(Scheda tecnica 8.1)

#### Schlüter®-KERDI-PAS

set = tassello di tenuta ed ausilio/manicotto per il montaggio (contenuto: 1 set)

Ø mm	Per diametro tubo (mm)	Cod. Art.	CHF / kit	conf. (set)
15	22 – 40	KMV 15 PAS	<b>13,74</b>	10
15	22 – 40	KMV 15 D PAS	<b>23,60</b>	10

#### Schlüter®-KERDI-PAS

set = tassello di tenuta ed ausilio/manicotto per il montaggio (contenuto: 10 set)

Ø mm	Per diametro tubo (mm)	Cod. Art.	CHF / Conf.	crt. (conf.)
15	22 – 40	KMV 15 PAS/10	<b>110,20</b>	10
15	22 – 40	KMV 15 D PAS/10	<b>186,25</b>	10



KMV 15 PAS



KMV 15 D PAS\*

\* distanza interasse 150 mm



## Tassello di tenuta

### Schlüter®-KERDI-KM



Schlüter-KERDI-KM sono tasselli di tenuta prefabbricati per la sigillatura dei tubi secondo la DIN 18534.

(Scheda tecnica 8.1)

### Schlüter®-KERDI-KM

tassello di tenuta  $\varnothing = 22$  mm  
per tubi di diametro 25 mm

Spessore (mm)	Conf. = 5 pz. Cod. Art.	CHF / Conf.	crt. (conf.)
0,1	KM 5117 / 22	11,08	10

# Schlüter®-KERDI-CID

## Passaggi porta a norma

Le normative DIN per l'impermeabilizzazione degli spazi interni richiedono la protezione delle stanze adiacenti, non impermeabilizzate, dall'acqua prodotta nelle zone umide, anche nelle zone delle porte. I kit Schlüter-KERDI-CID consentono l'interruzione capillare per le aree di passaggio in diverse direzioni di apertura delle porte.

I vantaggi:

- ✓ Sistema sicuro
- ✓ Chiusura collaudata in acciaio inossidabile
- ✓ Kit con pezzi preformati inclusi



Kit 1



Kit 2



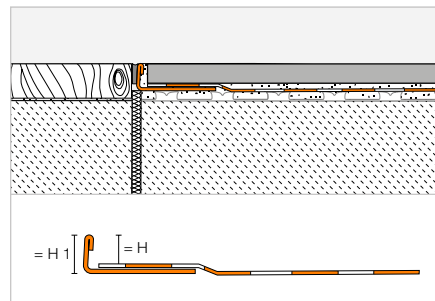
## Kit sigillante

### Schlüter®-KERDI-CID



Schlüter-KERDI-CID sono kit di impermeabilizzazione per l'interruzione capillare nel pavimento nella zona di passaggio delle porte secondo la normativa DIN 18534. I kit si differenziano a seconda del verso di apertura della porta, verso l'interno o verso l'esterno. I componenti del kit sono uno Schlüter-SCHIENE-E con fascetta sigillante KERDI-KEBA e relativi angoli preformati KERDI-KERECK. Il profilo si può accorciare per adattarlo alle differenti dimensioni della porta. I componenti vengono incollati utilizzando KERDI-COLL (non incluso nella fornitura).

(Scheda tecnica 8.11)



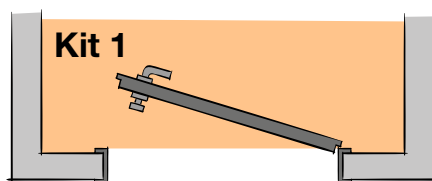
#### Schlüter®-KERDI-CID

SCHIENE-E V4A con fascetta impermeabilizzante in polietilene (kit 1) lunghezza: 1,15 m

H (mm)	H1 (mm)	Cod. Art.	CHF / kit	conf. (set)
10	12	KCID E 110 S1	<b>81,29</b>	10
12	14	KCID E 125 S1	<b>81,29</b>	10
14	16	KCID E 150 S1	<b>81,29</b>	10

#### Il kit base contiene:

- 1 x Schlüter-SCHIENE-E V4A con fascetta impermeabilizzante
- 1 x 2 KERDI-KERECK-SD-Angoli (angolo destro + angolo sinistro)



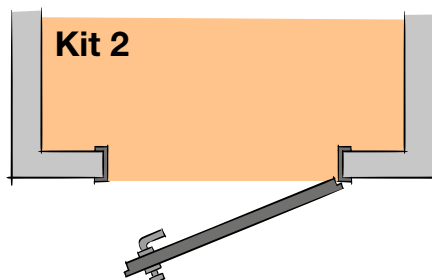
#### Schlüter®-KERDI-CID

SCHIENE-E V4A con fascetta impermeabilizzante in polietilene (kit 2) lunghezza: 1,15 m

H (mm)	H1 (mm)	Cod. Art.	CHF / kit	conf. (set)
10	12	KCID E 110 S2	<b>83,60</b>	10
12	14	KCID E 125 S2	<b>83,60</b>	10
14	16	KCID E 150 S2	<b>83,60</b>	10

#### Il kit base contiene:

- 1 x Schlüter-SCHIENE-E V4A con fascetta impermeabilizzante
- 2 x 2 KERDI-KERECK (angolo esterno/angolo interno)



## Angoli preformati

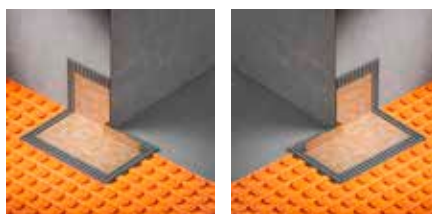
#### Schlüter®-KERDI-KERECK-SD

angolo esterno 90°, preformato, applicazione porta destra/sinistra

Spessore (mm)	Kit = 2 pz. Cod. Art.	CHF / kit	conf. (set)
0,1	KERECK / SD	<b>32,29</b>	10

#### Nota:

Sono disponibili strumenti di supporto per Schlüter-KERDI-CID nell'area download.





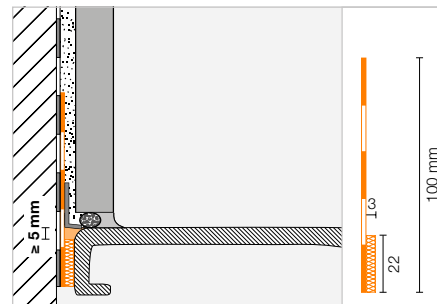
## Kit di impermeabilizzazione

### Schlüter®-KERDI-TS



Schlüter-KERDI-TS è un set per creare un raccordo impermeabile ed insonorizzato tra elementi sanitari, tipo vasche da bagno e piatti doccia in acciaio, smaltati, acrilico o altri materiali, ed i sistemi impermeabilizzanti Schlüter-KERDI (secondo la normativa DIN 18534-1). Il set comprende: bandella in polietilene con tessuto non tessuto su entrambi i lati con fascia insonorizzante autoadesiva, ed accessori per il montaggio.

(Scheda tecnica 8.9)



### Schlüter®-KERDI-TS

set completo per sigillatura

L (m)	Cod. Art.	CHF / kit	conf. (set)
2	KE TS / 200	<b>101,35</b>	10
2,8	KE TS / 280	<b>122,50</b>	10
3,8	KE TS / 380	<b>144,35</b>	10

#### Il set completo contiene:

- 2 / 2,8 / 3,8 m Bandella con fascia autoadesiva
- 290 ml Collante per il montaggio, Schlüter-KERDI-FIX
- 2 Salviette
- 1 / 2 / 2 Angolo/i di montaggio



### Schlüter®-KERDI-TSB

set base per sigillatura

L (m)	Cod. Art.	CHF / kit	conf. (set)
10	KE TSB / 1000	<b>234,57</b>	10

#### Il set base contiene:

- 10 m Bandella con fascia autoadesiva
- 8 Salviette
- 6 Angoli di montaggio



## Kit di impermeabilizzazione

### Schlüter®-KERDI-TS-ZC



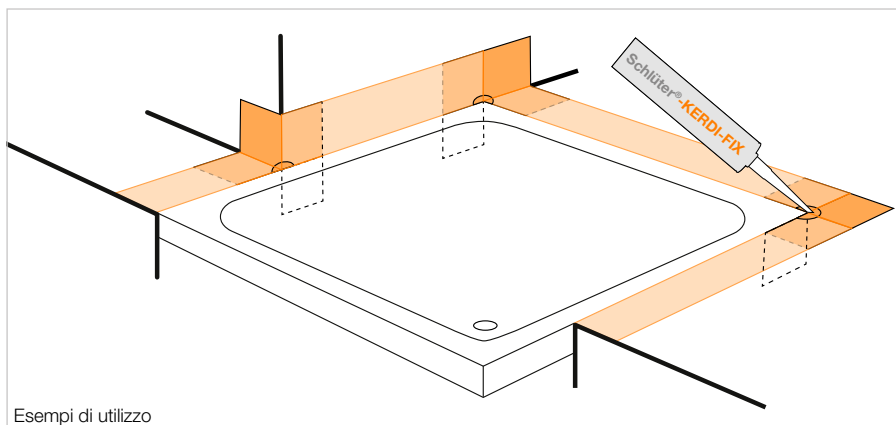
Schlüter-KERDI-TS-ZC è un set di integrazione per sigillare elementi sanitari come vasche o piatti doccia in particolari situazioni d'installazione (vedi disegno) in abbinamento con il set di impermeabilizzazione Schlüter-KERDI-TS. Il set d'integrazione è composto da un tassello di tenuta e da un angolo di montaggio.

(Scheda tecnica 8.9)

### Schlüter®-KERDI-TS-ZC

set d'integrazione

Cod. Art.	CHF / kit	conf. (set)
KE TS ZC	14,50	10



Esempi di utilizzo

**Nel set d'integrazione sono contenuti i seguenti componenti:**

- 1 Tassello di tenuta in PE rivestito su entrambi i lati in tessuto non tessuto (ad esclusione della parte centrale), 120 x 120 mm
- 1 Angolo di montaggio

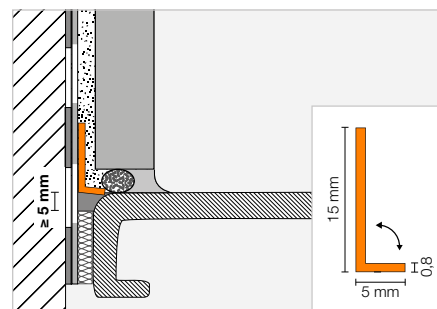
## Protezione tagli

### Schlüter®-KERDI-CP



Schlüter-KERDI-CP è una protezione contro tagli accidentali dell'impermeabilizzazione sottostante (per esempio in caso di una successiva sostituzione di un giunto silconico). Il profilo è piegabile, può essere accorciato alla lunghezza desiderata e viene posato direttamente nella colla fresca per ceramica o nel collante Schlüter-KERDI-FIX appena steso.

(Scheda tecnica 8.9)



### Schlüter®-KERDI-CP

protezione in polipropilene contro tagli accidentali

L (m)	Cod. Art.	CHF / pz	cr. (pz.)
2	KE CP / 200	11,58	10
2,8	KE CP / 280	16,05	10
3,8	KE CP / 380	21,15	10
10	KE CP / 1000	46,66	10





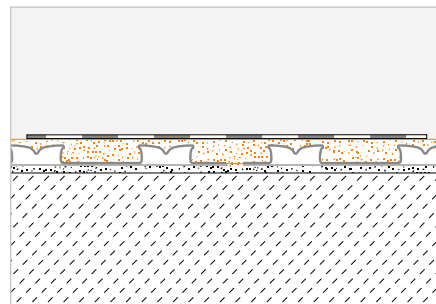
## Collante impermeabilizzante

### Schlüter®-KERDI-COLL-L



Schlüter-KERDI-COLL-L è una colla impermeabilizzante bicomponente composta da una base acrilica liquida priva di additivi e da una polvere reagente a base cementizia. E' adatta per incollare e sigillare le sovrapposizioni di Schlüter-KERDI. Inoltre, KERDI-COLL-L può essere utilizzata per incollare la fascetta sigillante Schlüter-KERDI-KEBA sui raccordi e sulle giunzioni realizzati con i sistemi di impermeabilizzazione Schlüter-Systems e sui profili di chiusura Schlüter-BARA.

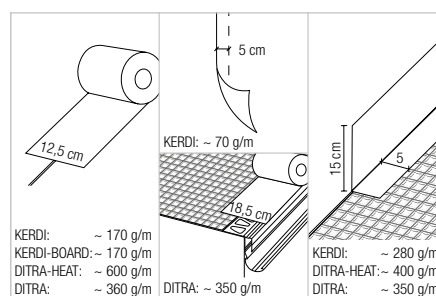
(Scheda tecnica 8.4)



#### Schlüter®-KERDI-COLL-L

collante bicomponente

Peso (kg)	Cod. Art.	CHF / kg	pal. (pz.)
1,85	KERDI-COLL-L 185	<b>17,09</b>	110
4,25	KERDI-COLL-L	<b>14,08</b>	75



## Collante sigillante per il montaggio

### Schlüter®-KERDI-FIX



Schlüter-KERDI-FIX è un collante elastico a base di un polimero MS. Adatto per sigillare ed impermeabilizzare raccordi con Schlüter-KERDI e per incollare profili e pannelli Schlüter-KERDI-BOARD.

(Scheda tecnica 8.3)



#### Schlüter®-KERDI-FIX

collante sigillante

Contenuto (ml)	Cod. Art.	CHF / pz	crt. (pz.)
290	KERDIFIX / BW	<b>26,87</b>	12
290	KERDIFIX / G	<b>26,87</b>	12



# Schlüter®-KERDI-LINE

Elegante sistema di scarico lineare



## Scarico di superficie

### Schlüter®-KERDI-LINE-VARIO

#### Set di scarico

Schlüter®-KERDI-LINE-VARIO-H 40 200

Schlüter®-KERDI-LINE-VARIO-H 50 201

#### Profili di deflusso

Schlüter®-KERDI-LINE-VARIO WAVE 202-203

Schlüter®-KERDI-LINE-VARIO COVE 205

Accessori 206

## Canaline di scarico

### Schlüter®-KERDI-LINE

#### Set di scarico

Schlüter®-KERDI-LINE-F 40 210

Schlüter®-KERDI-LINE-F 50 211

Schlüter®-KERDI-LINE-H 212

Schlüter®-KERDI-LINE-H 50 G2 213

Schlüter®-KERDI-LINE-V 214-215

Schlüter®-KERDI-LINE-V 50 G2 216

#### Combinazione griglia/cornice

Schlüter®-KERDI-LINE-STYLE 217

Schlüter®-KERDI-LINE-AV-B/-C 218-220

Schlüter®-KERDI-LINE-D 221

Accessori 221-223

### Schlüter®-KERDI-LINE-G3

#### Set di scarico

Schlüter®-KERDI-LINE-G3 224-225

#### Combinazione griglia/cornice

Schlüter®-KERDI-LINE-STYLE 217

Schlüter®-KERDI-LINE-AV-B 218-220

Schlüter®-KERDI-LINE-D-G3 226

Accessori 221, 226

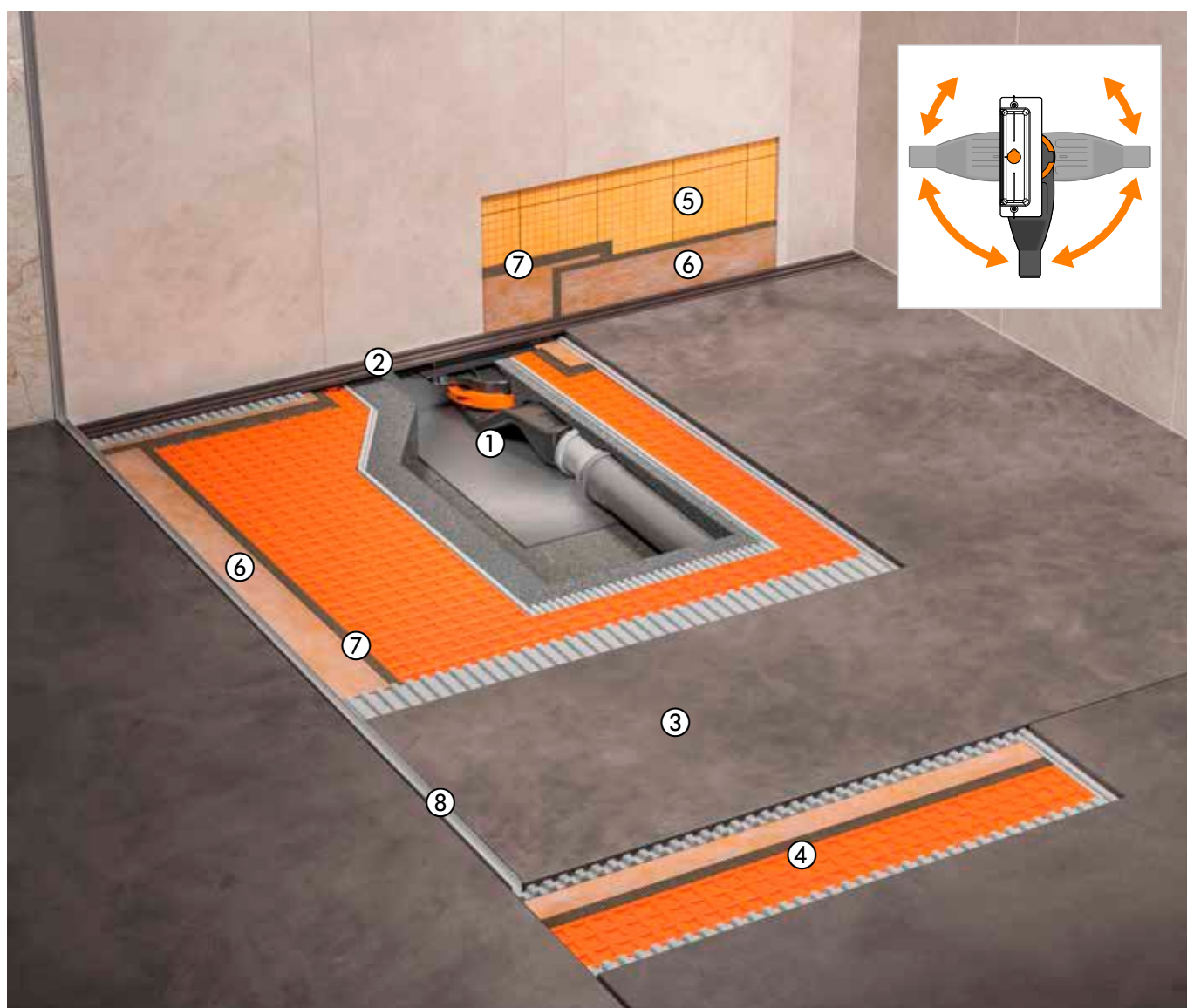


# Schlüter®-KERDI-LINE-VARIO

## Una doccia su misura come la vuoi tu

Con il profilo Schlüter-KERDI-LINE-VARIO l'acqua defluisce nello scarico di altezza estremamente ridotta. La combinazione tra l'adattatore dello scarico con tassello elastico integrato e lo scarico sinusoidale fa defluire l'acqua orizzontalmente verso le condotte principali dell'edificio. La pendenza ottimale per il deflusso dell'acqua verso lo scarico si ottiene con un massetto pendenziato (2 %).

Schlüter-DECO-SG offre un elegante alloggio per divisorie in vetro nella zona doccia senza alcun elemento in metallo visibile. Schlüter-KERDI e -DITRA garantiscono l'impermeabilizzazione sotto manto ceramico a parete e a pavimento. L'impermeabilizzazione delle giunzioni avviene con le fascette Schlüter-KERDI-KEBA ed il collante Schlüter-KERDI-COLL.



- ① Schlüter®-KERDI-LINE-VARIO-H scarico sinusoidale
- ② Schlüter®-KERDI-LINE-VARIO profilo di deflusso
- ③ Massetto in pendenza
- ④ Schlüter®-DITRA
- ⑤ Schlüter®-KERDI 200
- ⑥ Schlüter®-KERDI-KEBA
- ⑦ Schlüter®-KERDI-COLL
- ⑧ Schlüter®-DECO-SG

Pagina 200-201

Pagina 202-205

-

Pagina 165

Pagina 188

Pagina 189

Pagina 196

Pagina 235

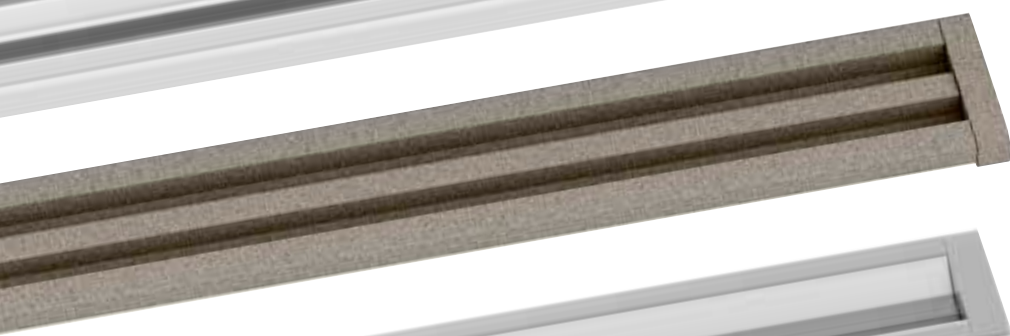
# Schlüter® -KERDI-LINE-VARIO

Profilo di deflusso accorciabile nella misura desiderata

- ✓ Un profilo di deflusso sottile che si integra elegantemente nel vostro piatto doccia
- ✓ Materiali pregiati: acciaio inossidabile spazzolato ed alluminio con finitura TRENDLINE
- ✓ Profili di deflusso (120 cm o 180 cm) che si possono tagliare nella lunghezza desiderata e regolare in altezza
- ✓ Elementi terminali inclusi nel kit
- ✓ Altezza del sistema ridotta
- ✓ Sifone saldamente integrato
- ✓ Raccordo sicuro grazie al tassello elastico KERDI
- ✓ Corpo di scarico che si può ruotare a 360°
- ✓ Manutenzione ridotta grazie all'effetto autopulente
- ✓ Elevata capacità di scarico
- ✓ Elemento di isolamento acustico
- ✓ Qualità KERDI-LINE collaudata



Design WAVE



Design COVE

Finiture | Colori disponibili





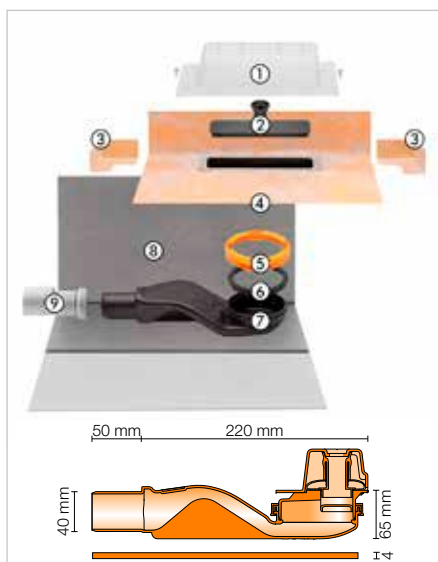
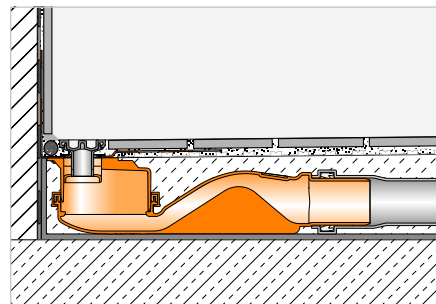
## Canalina lineare con scarico orizzontale

### Schlüter®-KERDI-LINE-VARIO-H 40



Schlüter-KERDI-LINE-VARIO-H 40 è un set completo per la realizzazione di docce a filo pavimento con scarico lineare. E' composto da un adattatore per lo scarico con tassello elastico KERDI. Per ottenere una ridotta altezza del sistema, l'adattatore viene fornito già inserito, a tenuta, nello scarico sinusoidale dotato di anello di serraggio. Per ulteriore sicurezza l'adattatore viene inoltre fissato con un morsetto circolare. KERDI-LINE-VARIO-H 40 è particolarmente adatto per una installazione laterale in prossimità delle pareti ma può essere collocato anche in posizione centrale nel piatto doccia. Grazie all'alta velocità di deflusso, lo scarico ha un effetto autopulente e richiede una manutenzione ridotta. L'elemento di insonorizzazione acustica incluso nel kit evita, in modo sicuro, la trasmissione di rumore ad elementi adiacenti. Svolge inoltre la funzione di guida per il posizionamento in caso di installazione direttamente contro parete.

(Scheda tecnica 8.10)



#### Componenti del set:

- 1 protezione cantiere
- 2 elemento di chiusura per prova di tenuta
- 3 angoli preformati  
(per raccordo con pareti adiacenti)
- 4 adattatore per lo scarico  
con tassello di tenuta elastico
- 5 morsetto circolare
- 6 guarnizione
- 7 sifone DN 40 integrato nello scarico
- 8 elemento per isolamento acustico
- 9 adattatore DN 40/50

### Schlüter®-KERDI-LINE-VARIO-H 40

kit canalina lineare con scarico sinusoidale, scarico DN 40 orizzontale

Cod. Art.	CHF / kit	conf. (set)
KL VR H40 G5	254,75	10

#### Nota:

Abbinabile con tutti i profili di deflusso della gamma Schlüter-KERDI-LINE-VARIO.

#### Dati tecnici:

Scarico	DN 40
Capacità di scarico	0,5 l/s
Profondità della tenuta idraulica	25 mm
Altezza d'installazione	65 mm



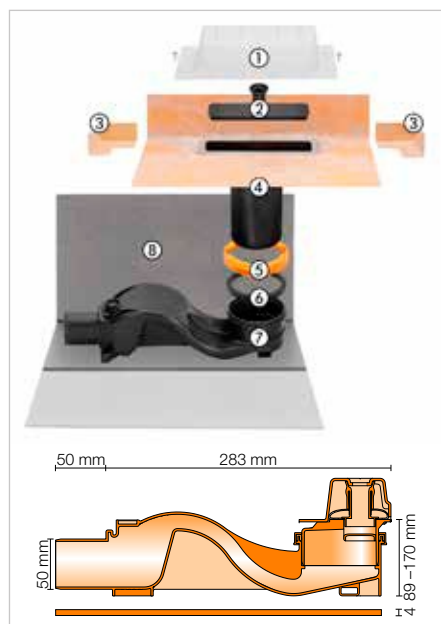
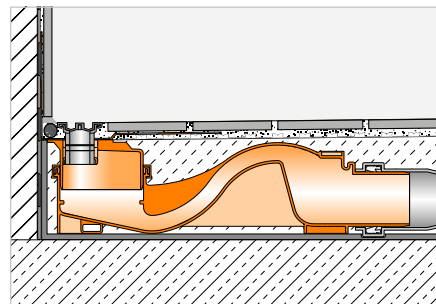
## Canalina lineare con scarico orizzontale

### Schlüter®-KERDI-LINE-VARIO-H 50



Schlüter-KERDI-LINE-VARIO-H 50 è un set completo per la realizzazione di docce a filo pavimento con scarico lineare. E' composto da un adattatore di scarico, regolabile in altezza a seconda delle esigenze del singolo cantiere, con tassello elastico KERDI integrato ed uno scarico orizzontale sinusoidale orientabile a 360° con sifone integrato. Lo scarico può essere fissato meccanicamente al supporto con l'apposito kit di montaggio incluso nella fornitura. KERDI-LINE-VARIO-H 50 è particolarmente adatto per una installazione laterale in prossimità delle pareti ma può essere collocato anche in posizione centrale nel piatto doccia. Grazie all'alta velocità di deflusso, lo scarico ha un effetto autopulente e richiede una manutenzione ridotta. L'elemento di insonorizzazione acustica incluso nel kit evita, in modo sicuro, la trasmissione di rumore ad elementi adiacenti. Svolge inoltre la funzione di guida per il posizionamento in caso di installazione direttamente contro parete.

(Scheda tecnica 8.10)



#### Componenti del set:

- 1 protezione cantiere
- 2 elemento di chiusura per prova di tenuta
- 3 angoli preformati  
(per raccordo con pareti adiacenti)
- 4 adattatore, accorciabile nella misura desiderata, con tassello di tenuta elastico
- 5 morsetto circolare
- 6 guarnizione
- 7 sifone DN 50 integrato nello scarico
- 8 elemento per isolamento acustico

### Schlüter®-KERDI-LINE-VARIO-H 50

kit canalina lineare con scarico sinusoidale, scarico DN 50 orizzontale

Cod. Art.	CHF / kit	conf. (set)
KL VR H50 A G5	<b>272,95</b>	10

#### Nota:

Abbinabile con tutti i profili di deflusso della gamma Schlüter-KERDI-LINE-VARIO.

#### Dati tecnici:

Scarico	DN 50
Capacità di scarico	0,8 l/s
Profondità della tenuta idraulica	50 mm
Altezza d'installazione	89 mm



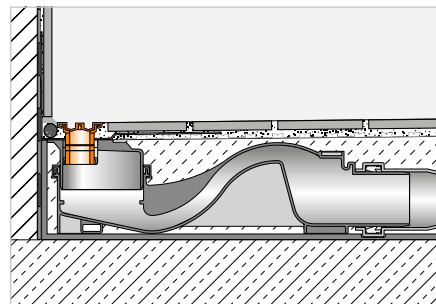
## Profilo di deflusso

### Schlüter®-KERDI-LINE-VARIO WAVE



**i**  
Ora disponibile anche in TSG  
(grigio con finitura a rilievo)!

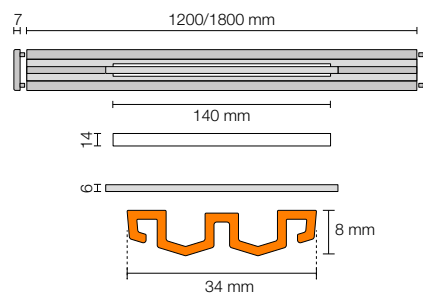
Schlüter-KERDI-LINE-VARIO WAVE è un profilo di deflusso con scanalatura a W che può essere tagliato nella lunghezza desiderata, da installare in abbinamento con un set di scarico Schlüter-KERDI-LINE-VARIO-H. E' disponibile, a scelta, in acciaio inossidabile V4A spazzolato (tipo di materiale 1.4404 = AISI 316L) o in alluminio con pregiata finitura TRENDLINE. Il deflusso avviene al centro attraverso una fessura di scarico lunga 140 mm. Quest'ultima viene rivestita con un elegante listello di copertura rimovibile. Il profilo viene fornito con due elementi terminali. L'altezza del profilo viene registrata in cantiere nel letto fresco di adesivo, allineandolo alla quota superiore del rivestimento. (Scheda tecnica 8.10)



### Schlüter®-KERDI-LINE-VARIO WAVE 34

profilo di deflusso, Design WAVE (D 10), alluminio con finitura a rilievo

L (cm)	H = 8 mm Cod. Art.	CHF / kit	conf. (set)
120	KL VR D10 MBW 120	232,40	10
120	KL VR D10 MGS 120	232,40	10
120	KL VR D10 TSBG 120	239,43	10
120	KL VR D10 TSC 120	239,43	10
120	KL VR D10 TSDA 120	239,43	10
★	KL VR D10 TSG 120	239,43	10
120	KL VR D10 TSI 120	239,43	10
120	KL VR D10 TSOB 120	239,43	10
120	KL VR D10 TSSG 120	239,43	10
180	KL VR D10 MBW 180	260,82	10
180	KL VR D10 MGS 180	260,82	10
180	KL VR D10 TSBG 180	266,88	10
180	KL VR D10 TSC 180	266,88	10
180	KL VR D10 TSDA 180	266,88	10
★	KL VR D10 TSG 180	266,88	10
180	KL VR D10 TSI 180	266,88	10
180	KL VR D10 TSOB 180	266,88	10
180	KL VR D10 TSSG 180	266,88	10



**i**  
Può essere abbinato solo con i set di scarico Schlüter-KERDI-LINE-VARIO-H. Due elementi terminali inclusi nel kit.

Adatto a rivestimenti con spessore da 6 a 15 mm (con DITRA o DITRA-HEAT) e da 6 a 12 mm (con DITRA-HEAT-DUO).

In abbinamento con la prolunga KL VR DSE 14 adatto a rivestimenti con spessore fino a 25 mm (con DITRA o DITRA-HEAT) e fino a 22 mm (con DITRA-HEAT-DUO), vedi pagina 206.

## Finiture | Colori disponibili



A pagina 340 e segg. è disponibile una panoramica delle finiture e dei colori.

**Schlüter®-KERDI-LINE-VARIO WAVE 42**

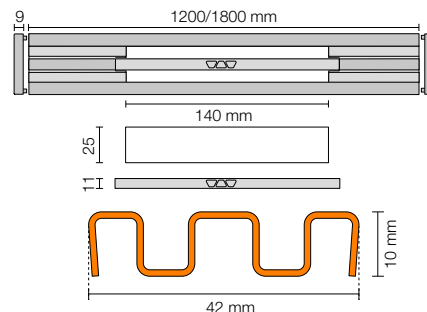
profilo di deflusso, Design WAVE (D 10), acciaio inossidabile V4A spazzolato

L (cm)	H = 10 mm Cod. Art.	CHF / kit	conf. (set)
120	KL VR1 D10 EB 120	<b>345,73</b>	10
180	KL VR1 D10 EB 180	<b>388,19</b>	10

Adatto a rivestimenti con spessore da 8 a 18 mm (con DITRA o DITRA-HEAT) e da 8 a 15 mm (con DITRA-HEAT-DUO).

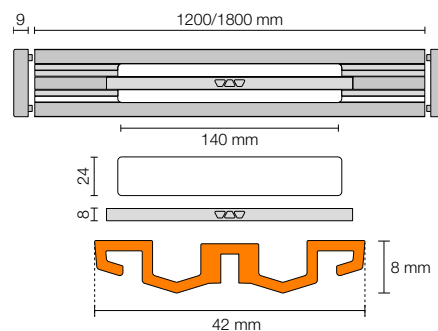
In abbinamento con la prolunga KL VR DSE 23 adatto a rivestimenti con spessore fino a 28 mm (con DITRA o DITRA-HEAT) e fino a 25 mm (con DITRA-HEAT-DUO), vedi pagina 206.

Il profilo KERDI-LINE-VARIO WAVE 42 in acciaio inossidabile è idoneo per utilizzo con sedia a rotelle. I profili KERDI-LINE-VARIO WAVE 42 possono essere dotati, come accessorio, di un apposito filtracapelli KL VR S 23, vedi pag. 201.


**Schlüter®-KERDI-LINE-VARIO WAVE 42**

profilo di deflusso, Design WAVE (D 10), alluminio con finitura a rilievo

L (cm)	H = 8 mm Cod. Art.	CHF / kit	conf. (set)	
120	KL VR1 D10 MBW 120	<b>242,62</b>	10	
120	KL VR1 D10 MGS 120	<b>242,62</b>	10	
120	KL VR1 D10 TSBG 120	<b>248,69</b>	10	
120	KL VR1 D10 TSC 120	<b>248,69</b>	10	
120	KL VR1 D10 TSDA 120	<b>248,69</b>	10	
★	120	KL VR1 D10 TSG 120	<b>248,69</b>	10
120	KL VR1 D10 TSI 120	<b>248,69</b>	10	
120	KL VR1 D10 TSOB 120	<b>248,69</b>	10	
120	KL VR1 D10 TSSG 120	<b>248,69</b>	10	
180	KL VR1 D10 MBW 180	<b>272,95</b>	10	
180	KL VR1 D10 MGS 180	<b>272,95</b>	10	
180	KL VR1 D10 TSBG 180	<b>279,02</b>	10	
180	KL VR1 D10 TSC 180	<b>279,02</b>	10	
180	KL VR1 D10 TSDA 180	<b>279,02</b>	10	
★	180	KL VR1 D10 TSG 180	<b>279,02</b>	10
180	KL VR1 D10 TSI 180	<b>279,02</b>	10	
180	KL VR1 D10 TSOB 180	<b>279,02</b>	10	
180	KL VR1 D10 TSSG 180	<b>279,02</b>	10	



**i**  
Può essere abbinato solo con i set di scarico Schlüter®-KERDI-LINE-VARIO-H. Due elementi terminali inclusi nel kit.

Adatto a rivestimenti con spessore da 6 a 15 mm (con DITRA o DITRA-HEAT) e da 6 a 12 mm (con DITRA-HEAT-DUO).

In abbinamento con la prolunga KL VR DSE 23 adatto a rivestimenti con spessore fino a 25 mm (con DITRA o DITRA-HEAT) e fino a 22 mm (con DITRA-HEAT-DUO), vedi pagina 206.

I profili KERDI-LINE-VARIO WAVE 42 possono essere dotati, come accessorio, di un apposito filtro capelli KL VR S 23, vedi pag. 206.

**Finiture | Colori disponibili**


A pagina 340 e segg. è disponibile una panoramica delle finiture e dei colori.



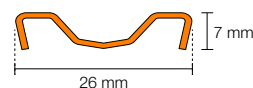
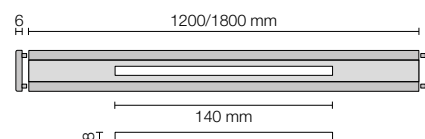
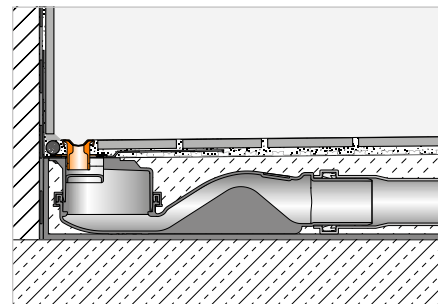
## Profilo di deflusso

### Schlüter®-KERDI-LINE-VARIO COVE



Ora disponibile anche in TSG (grigio con finitura a rilievo).

Schlüter-KERDI-LINE-VARIO COVE è un profilo di deflusso con scanalatura a vista che si può tagliare nella lunghezza desiderata, da abbinare ad un set di scarico Schlüter-KERDI-LINE-VARIO-H. E' disponibile, a scelta, in acciaio inossidabile V4A spazzolato (tipo di materiale 1.4404 = AISI 316L) o in alluminio con pregiata finitura TRENDLINE. L'acqua defluisce al centro, attraverso una fessura larga solo 8 mm e lunga 140 mm. Il profilo viene fornito con due elementi terminali. L'altezza del profilo viene registrata in cantiere nel letto fresco di adesivo, allineandolo alla quota superiore del rivestimento del pavimento. Il profilo è idoneo per utilizzo con sedia a rotelle. (Scheda tecnica 8.10)



### Schlüter®-KERDI-LINE-VARIO COVE 26

profilo di deflusso, Design COVE (D 9), acciaio inossidabile V4A spazzolato

L (cm)	H = 7 mm Cod. Art.	CHF / kit	conf. (set)
120	KL VR D9 EB 120	<b>275,02</b>	10
180	KL VR D9 EB 180	<b>321,47</b>	10

### Schlüter®-KERDI-LINE-VARIO COVE 26

profilo di deflusso, Design COVE (D 9), alluminio con finitura a rilievo

L (cm)	H = 8 mm Cod. Art.	CHF / kit	conf. (set)	
120	KL VR D9 MBW 120	<b>204,22</b>	10	
120	KL VR D9 MGS 120	<b>204,22</b>	10	
120	KL VR D9 TSBG 120	<b>211,26</b>	10	
120	KL VR D9 TSC 120	<b>211,26</b>	10	
120	KL VR D9 TSDA 120	<b>211,26</b>	10	
★	120	KL VR D9 TSG 120	<b>211,26</b>	10
120	KL VR D9 TSI 120	<b>211,26</b>	10	
120	KL VR D9 TSOB 120	<b>211,26</b>	10	
120	KL VR D9 TSSG 120	<b>211,26</b>	10	
180	KL VR D9 MBW 180	<b>230,49</b>	10	
180	KL VR D9 MGS 180	<b>230,49</b>	10	
180	KL VR D9 TSBG 180	<b>236,56</b>	10	
180	KL VR D9 TSC 180	<b>236,56</b>	10	
180	KL VR D9 TSDA 180	<b>236,56</b>	10	
★	180	KL VR D9 TSG 180	<b>236,56</b>	10
180	KL VR D9 TSI 180	<b>236,56</b>	10	
180	KL VR D9 TSOB 180	<b>236,56</b>	10	
180	KL VR D9 TSSG 180	<b>236,56</b>	10	



Può essere abbinato solo con i set di scarico Schlüter-KERDI-LINE-VARIO-H. Due elementi terminali inclusi nel kit.

Adatto a rivestimenti con spessore da 6 a 15 mm (con DITRA o DITRA-HEAT) e da 6 a 12 mm (con DITRA-HEAT-DUO).

In abbinamento con la prolunga KL VR DSE 14 adatto a rivestimenti con spessore fino a 25 mm (con DITRA o DITRA-HEAT) e fino a 22 mm (con DITRA-HEAT-DUO), vedi pagina 206.

## Finiture | Colori disponibili



A pagina 340 e segg. è disponibile una panoramica delle finiture e dei colori.



## Adattatore in altezza

### Schlüter®-KERDI-LINE-VARIO-DSE



KL VR DSE 14

Schlüter-KERDI-LINE-VARIO-DSE sono kit per aumentare, fino a 10 mm, l'altezza dell'invito del corpo di scarico per l'innesto del profilo di deflusso. Rispetto alla versione standard, questo prolungamento permette di utilizzare materiali di rivestimento per la doccia con spessori maggiori. (Scheda tecnica 8.10)



KL VR DSE 23

#### Schlüter®-KERDI-LINE-VARIO-DSE

adattatore in altezza per KERDI-LINE-VARIO

Cod. Art.	CHF / pz	crt. (pz.)
KL VR DSE 14	18,81	10

#### Nota:

L'adattatore in altezza KL VR DSE 14 può essere abbinato solo con il profilo di deflusso della serie COVE e WAVE 34.

#### Schlüter®-KERDI-LINE-VARIO-DSE

adattatore in altezza per KERDI-LINE-VARIO

Cod. Art.	CHF / kit	conf. (set)
KL VR DSE 23	21,83	10

#### Nota:

L'adattatore in altezza KL VR DSE 23 può essere abbinato solo con il profilo di deflusso della serie WAVE 42.

## Filtro capelli

### Schlüter®-KERDI-LINE-VARIO-S



Schlüter-KERDI-LINE-VARIO-S è un filtro capelli opzionale, disegnato appositamente per la serie di profili WAVE 42. Oltre alla sua funzione principale, funge anche da setaccio per evitare che piccoli oggetti preziosi finiscano nello scarico. (Scheda tecnica 8.10)

#### Schlüter®-KERDI-LINE-VARIO-S

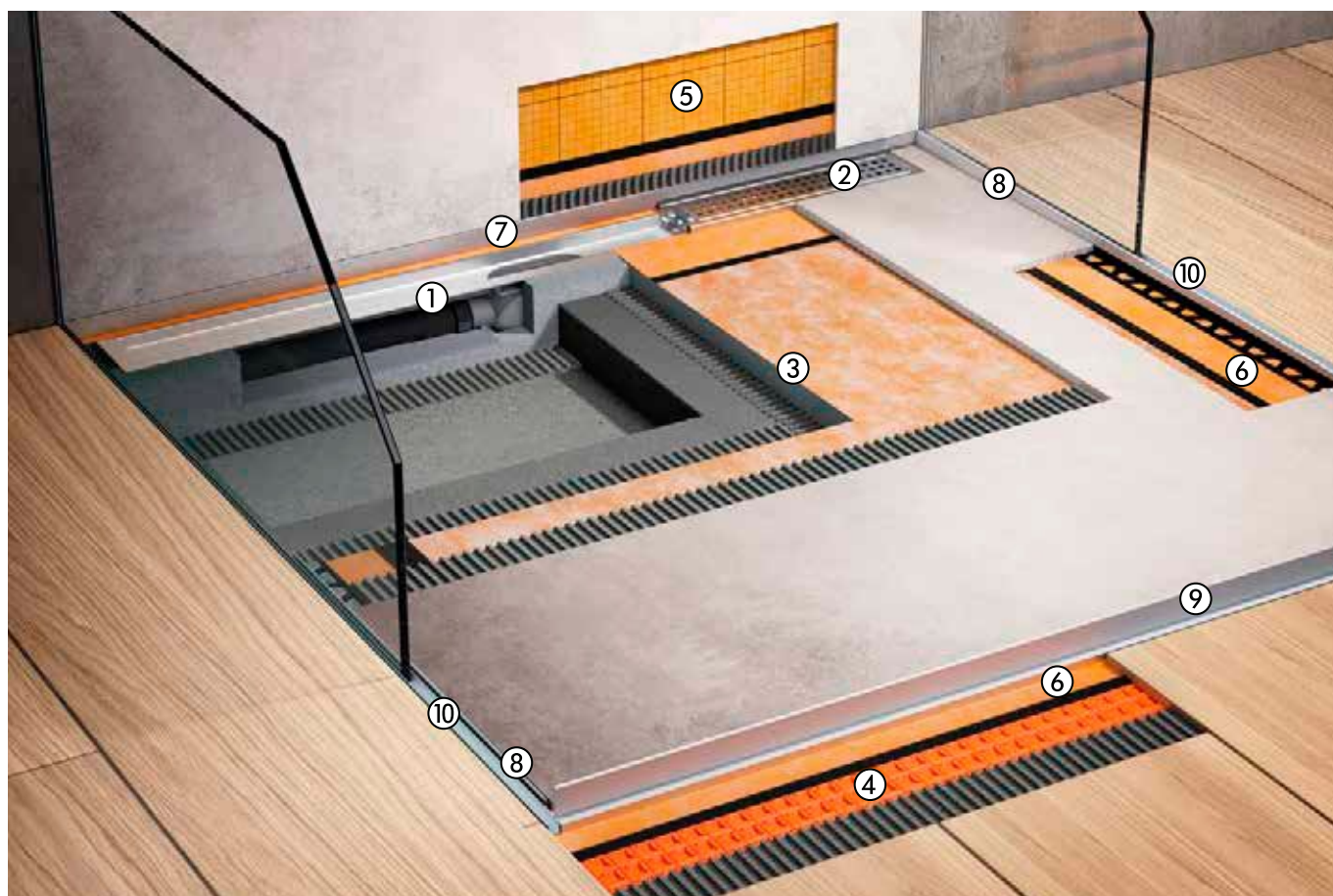
filtro capelli per KERDI-LINE-VARIO WAVE 42

Cod. Art.	CHF / pz	crt. (pz.)
KL VR S 23	18,20	10

# Schlüter®-KERDI-LINE

## Un sistema completo in ogni dettaglio

Schlüter-KERDI-LINE è disponibile, a scelta, con scarico orizzontale o verticale. I pannelli pendenziati Schlüter-KERDI-SHOWER permettono di realizzare in modo facile e veloce un sottofondo planare e già impermeabilizzato, pronto per la posa della ceramica o della pietra naturale. Schlüter-SHOWERPROFILE offrono una soluzione bella e funzionale alla necessità di chiudere i dislivelli a cuneo tra il piatto doccia inclinato ed il pavimento adiacente e possono fungere da paraspruzzo nella zona di accesso alla doccia senza creare una barriera architettonica. Schlüter-DECO-SG offre un elegante alloggio per divisorie in vetro nella zona doccia senza alcun elemento in metallo visibile. Schlüter-KERDI e -DITRA garantiscono l'impermeabilizzazione sotto manto ceramico a parete e a pavimento. L'impermeabilizzazione delle giunzioni avviene con le fascette Schlüter-KERDI-KEBA ed il collante Schlüter-KERDI-COLL.



- ① Canaline Schlüter®-KERDI-LINE
- ② Set cornici/griglie Schlüter®-KERDI-LINE
- ③ Schlüter®-KERDI-SHOWER
- ④ Schlüter®-DITRA
- ⑤ Schlüter®-KERDI 200
- ⑥ Schlüter®-KERDI-KEBA
- ⑦ Schlüter®-SHOWERPROFILE-R
- ⑧ Schlüter®-SHOWERPROFILE-S
- ⑨ Schlüter®-SHOWERPROFILE-WS/-WSK
- ⑩ Schlüter®-DECO-SG

Pagina 210-216, 224-225

Pagina 217-221

Pagina 228-229

Pagina 165

Pagina 188

Pagina 189

Pagina 232

Pagina 230-231

Pagina 233-234

Pagina 235





## Schlüter®-KERDI-LINE-STYLE

Griglie di Design alloggiare in un telaio extra sottile



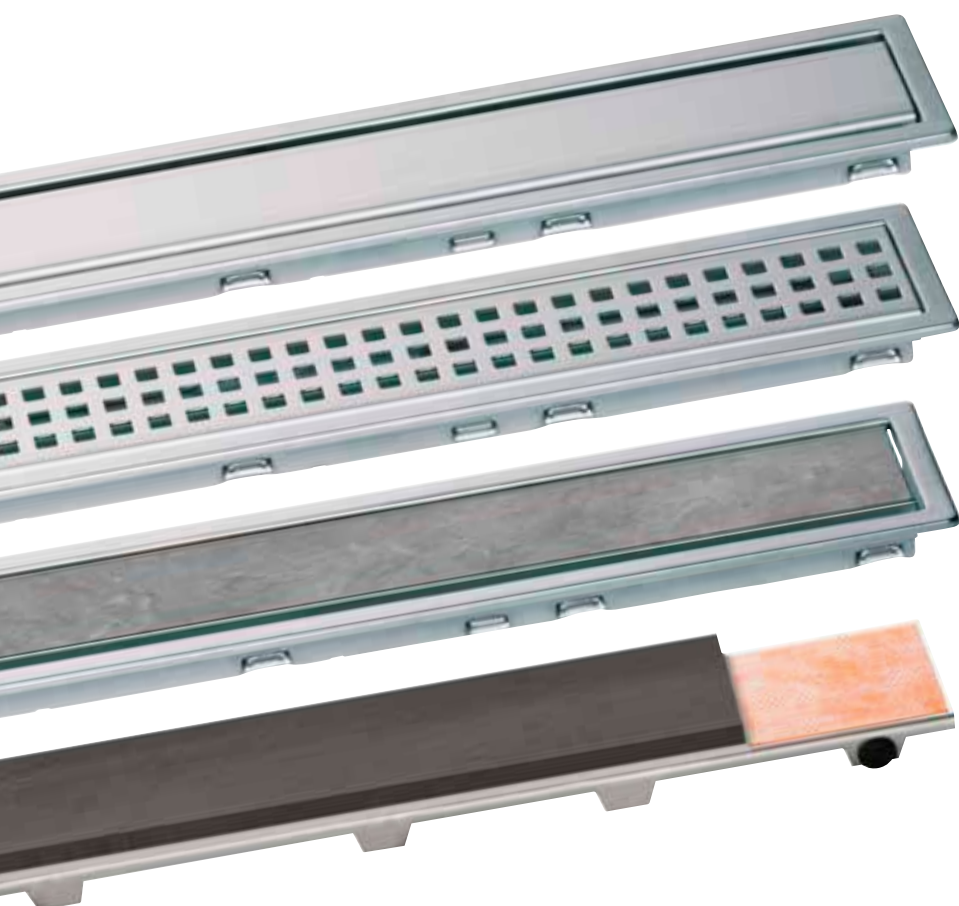
Design FLORAL

Design CURVE

Design PURE

## Schlüter®-KERDI-LINE

Design classico con abbinamento griglia cornice



Design A: SOLID

Design B: SQUARE

Design C: FRAMED TILE

Design D: TILE ("invisible")





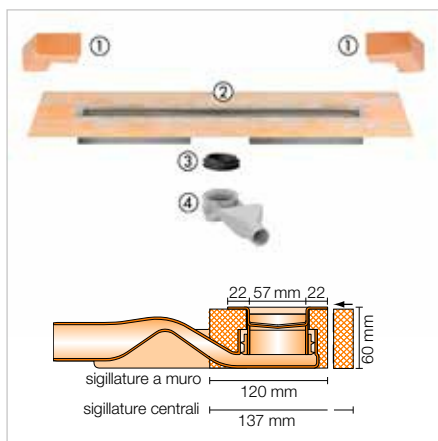
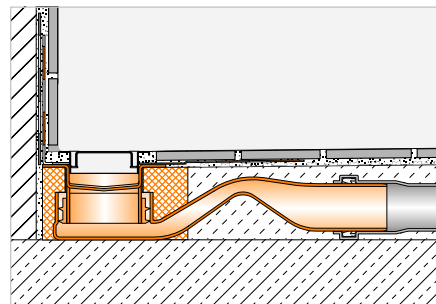
## Canalina lineare con scarico orizzontale

### Schlüter®-KERDI-LINE-F 40



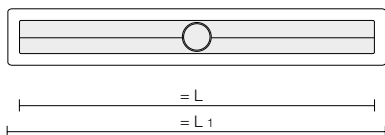
Schlüter-KERDI-LINE-F 40 è un set completo per docce a filo pavimento con canalina lineare e scarico orizzontale sinusoidale con sifone integrato. E' utilizzabile per l'installazione centrale o laterale nel piatto doccia. Grazie alla sua altezza ridotta a soli 60 mm, questa soluzione è particolarmente indicata per progetti di ristrutturazione. Per garantire un corretto raccordo al sistema di impermeabilizzazione della doccia, la canalina è provvista di un tassello di tenuta Schlüter-KERDI già incollato.

(Scheda tecnica 8.7)



#### Componenti del set:

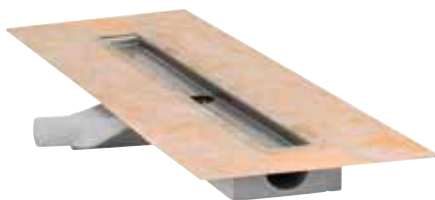
- 1 impermeabilizzazione ad angolo (per raccordo a parete laterale)
- 2 canalina con tassello di tenuta e supporto
- 3 guarnizione a labbro
- 4 sifone integrato nello scarico



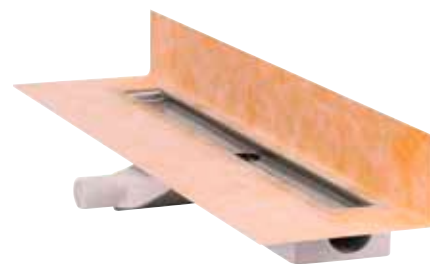
### Schlüter®-KERDI-LINE-F 40

set di canalina in acciaio inossidabile V4A con sifone integrato e scarico orizzontale DN 40 (diam. 40)

L (cm)	L1 (cm)	Cod. Art.	CHF / kit	conf. (set)
50	55	KLF 40 GE 50	<b>338,10</b>	10
60	65	KLF 40 GE 60	<b>351,81</b>	10
70	75	KLF 40 GE 70	<b>365,52</b>	10
80	85	KLF 40 GE 80	<b>379,18</b>	10
90	95	KLF 40 GE 90	<b>393,76</b>	10
100	105	KLF 40 GE 100	<b>408,30</b>	10
110	115	KLF 40 GE 110	<b>419,42</b>	10
120	125	KLF 40 GE 120	<b>432,26</b>	10



Schlüter-KERDI tassello, per scarico centrale



Schlüter-KERDI tassello, per scarico laterale

#### Dati tecnici:

Scarico	DN 40
Capacità di scarico	0,45 l/s
Profondità della tenuta idraulica	25 mm
Altezza d'installazione	60 mm
Larghezza griglia inclusa cornice	74 mm

#### Nota:

Per le combinazioni di griglie e cornici o supporti a scomparsa vedi pagine 217-221.

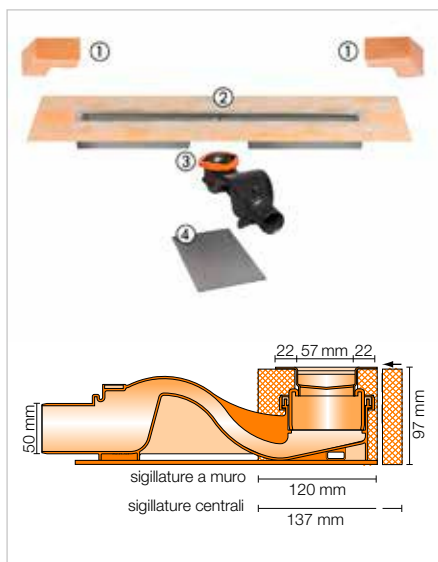
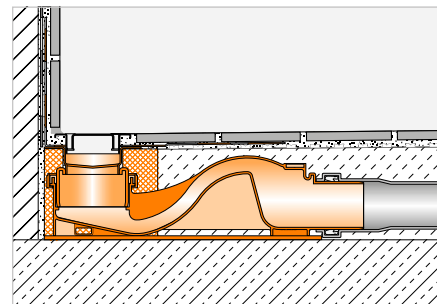
## Canalina lineare con scarico orizzontale

### Schlüter®-KERDI-LINE-F 50



Schlüter-KERDI-LINE-F 50 è un set completo per docce a filo pavimento con canalina lineare e scarico orizzontale sinusoidale con sifone integrato. Nella doccia può essere installata sia in posizione centrale che laterale e dispone di una profondità della tenuta idraulica di 50 mm e di una capacità di scarico  $\geq 0,8$  l/s, corrispondenti alla UNI EN 1253. Per garantire un corretto raccordo al sistema di impermeabilizzazione della doccia, la canalina è provvista di un tassello di tenuta Schlüter-KERDI già saldamente incollato.

(Scheda tecnica 8.7)



#### Componenti del set:

- 1 impermeabilizzazione ad angolo (per raccordo a parete laterale)
- 2 canalina con tassello di tenuta e supporto
- 3 sifone DN 50 integrato nello scarico, morsetto circolare e guarnizione
- 4 elemento per isolamento acustico

### Schlüter®-KERDI-LINE-F 50

set di canalina in acciaio inossidabile V4A con sifone integrato e scarico orizzontale DN 50

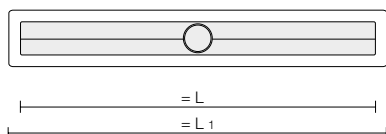
L (cm)	L1 (cm)	Cod. Art.	CHF / kit	conf. (set)
50	55	KLF 50 GE 50	<b>369,00</b>	10
60	65	KLF 50 GE 60	<b>386,30</b>	10
70	75	KLF 50 GE 70	<b>397,83</b>	10
80	85	KLF 50 GE 80	<b>415,13</b>	10
90	95	KLF 50 GE 90	<b>432,43</b>	10
100	105	KLF 50 GE 100	<b>443,96</b>	10
110	115	KLF 50 GE 110	<b>461,25</b>	10
120	125	KLF 50 GE 120	<b>472,78</b>	10
130	135	KLF 50 GE 130	<b>628,46</b>	10
140	145	KLF 50 GE 140	<b>645,75</b>	10
150	155	KLF 50 GE 150	<b>663,05</b>	10
160	165	KLF 50 GE 160	<b>686,11</b>	10
170	175	KLF 50 GE 170	<b>709,18</b>	10
180	185	KLF 50 GE 180	<b>720,71</b>	10



Schlüter-KERDI tassello, per scarico centrale



Schlüter-KERDI tassello, per scarico laterale



#### Dati tecnici:

Scarico	DN 50
Capacità di scarico	0,8 l/s
Profondità della tenuta idraulica	50 mm
Altezza d'installazione	97 mm
Larghezza griglia inclusa cornice	74 mm

#### Nota:

Per le combinazioni di griglie e cornici o supporti a scomparsa vedi pagine 217-221.



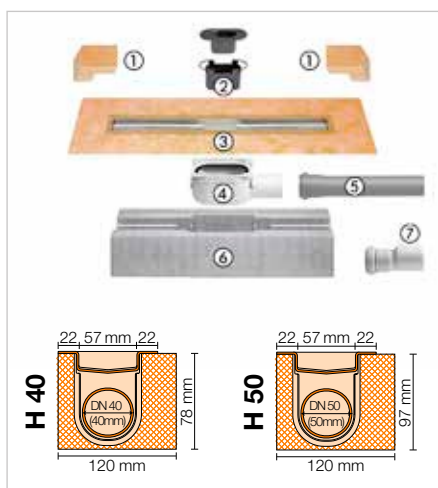
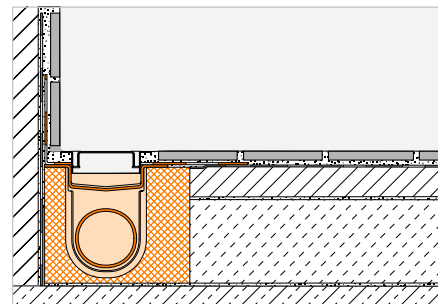
## Canalina lineare con scarico orizzontale

### Schlüter®-KERDI-LINE-H



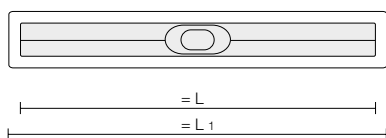
Schlüter-KERDI-LINE-H è una canalina lineare per la realizzazione di docce a filo pavimento con scarico orizzontale. Nella doccia può essere installata sia in posizione centrale che laterale. E' presente un tassello di tenuta in Schlüter-KERDI già solidamente incollato sul bordo esterno della canalina. Questo garantisce una perfetta integrazione della canalina col sistema di impermeabilizzazione orizzontale e verticale.

(Scheda tecnica 8.7)



#### Componenti del set:

- impermeabilizzazione ad angolo (per raccordo a parete laterale)
- sifone antidore in due pezzi
- canalina con tassello di tenuta
- corpo di scarico
- tubo di scarico
- supporto canalina
- adattatore da DN 40 a DN 50 (solo per KERDI-LINE-H 40)



#### Dati tecnici:

	DN 40	DN 50
Scarico	DN 40	DN 50
Capacità di scarico	0,5 l/s	0,6 l/s
Profondità della tenuta idraulica	25 mm	30 mm
Altezza d'installazione	78 mm	97 mm
Larghezza griglia inclusa cornice	74 mm	74 mm

### Schlüter®-KERDI-LINE-H 40

set di canaline in acciaio inossidabile V4A con sifone e scarico DN 40 (diam. 40) orizzontale

L (cm)	L1 (cm)	Cod. Art.	CHF / kit	conf. (set)
50	55	KLH 40 GE 50	<b>338,10</b>	10
60	65	KLH 40 GE 60	<b>351,81</b>	10
70	75	KLH 40 GE 70	<b>365,52</b>	10
80	85	KLH 40 GE 80	<b>379,18</b>	10
90	95	KLH 40 GE 90	<b>393,76</b>	10
100	105	KLH 40 GE 100	<b>408,30</b>	10
110	115	KLH 40 GE 110	<b>419,42</b>	10
120	125	KLH 40 GE 120	<b>432,26</b>	10
130	135	KLH 40 GE 130	<b>572,53</b>	10
140	145	KLH 40 GE 140	<b>587,67</b>	10
150	155	KLH 40 GE 150	<b>605,29</b>	10
160	165	KLH 40 GE 160	<b>626,96</b>	10
170	175	KLH 40 GE 170	<b>646,17</b>	10
180	185	KLH 40 GE 180	<b>668,27</b>	10

### Schlüter®-KERDI-LINE-H 50

set di canaline in acciaio inossidabile V4A con sifone e scarico DN 50 (diam. 50) orizzontale

L (cm)	L1 (cm)	Cod. Art.	CHF / kit	conf. (set)
50	55	KLH 50 GE 50	<b>338,10</b>	10
60	65	KLH 50 GE 60	<b>351,81</b>	10
70	75	KLH 50 GE 70	<b>365,52</b>	10
80	85	KLH 50 GE 80	<b>379,18</b>	10
90	95	KLH 50 GE 90	<b>393,76</b>	10
100	105	KLH 50 GE 100	<b>408,30</b>	10
110	115	KLH 50 GE 110	<b>419,42</b>	10
120	125	KLH 50 GE 120	<b>432,26</b>	10
130	135	KLH 50 GE 130	<b>572,53</b>	10
140	145	KLH 50 GE 140	<b>587,67</b>	10
150	155	KLH 50 GE 150	<b>605,29</b>	10
160	165	KLH 50 GE 160	<b>626,96</b>	10
170	175	KLH 50 GE 170	<b>646,17</b>	10
180	185	KLH 50 GE 180	<b>668,27</b>	10

#### Nota:

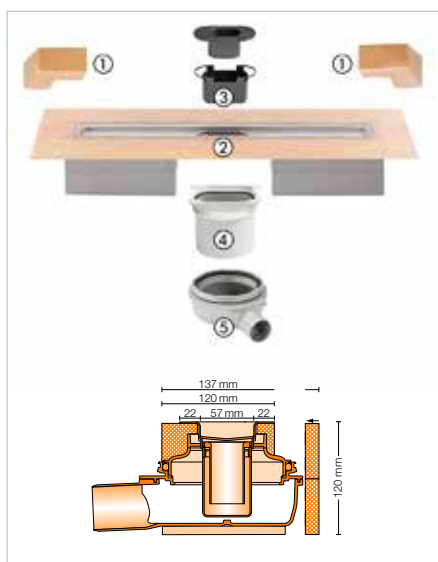
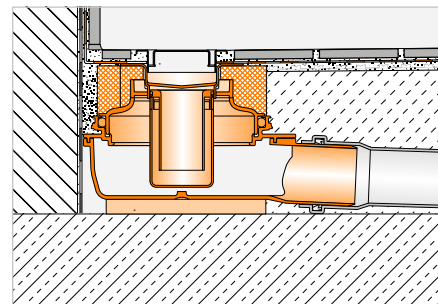
Per le combinazioni di griglie e cornici o supporti a scomparsa vedi pagine 217-221.

## Canalina lineare con scarico orizzontale

### Schlüter®-KERDI-LINE-H 50 G2



Schlüter-KERDI-LINE-H 50 G2 è una canalina lineare per la realizzazione di docce a filo pavimento con scarico orizzontale. Nella doccia può essere installata sia in posizione centrale che laterale e dispone di una profondità della tenuta idraulica di 50 mm e di una capacità di scarico  $\geq 0,8$  l/s, corrispondenti alla UNI EN 1253. Schlüter-KERDI già saldata su di essa funge da tassello di tenuta per realizzare una perfetta sigillatura della canalina sull'impermeabilizzazione del piatto o contro la parete. (Scheda tecnica 8.7)



### Schlüter®-KERDI-LINE-H 50 G2

set di canaline in acciaio inossidabile V4A con sifone e scarico DN 50 (diam. 50) orizzontale

L (cm)	L1 (cm)	Cod. Art.	CHF / kit	conf. (set)
50	55	KLH 50 G2E 50	<b>424,13</b>	10
60	65	KLH 50 G2E 60	<b>439,59</b>	10
70	75	KLH 50 G2E 70	<b>455,01</b>	10
80	85	KLH 50 G2E 80	<b>462,72</b>	10
90	95	KLH 50 G2E 90	<b>478,15</b>	10
100	105	KLH 50 G2E 100	<b>493,55</b>	10
110	115	KLH 50 G2E 110	<b>501,27</b>	10
120	125	KLH 50 G2E 120	<b>516,69</b>	10
130	135	KLH 50 G2E 130	<b>655,51</b>	10
140	145	KLH 50 G2E 140	<b>670,92</b>	10
150	155	KLH 50 G2E 150	<b>686,36</b>	10
160	165	KLH 50 G2E 160	<b>709,46</b>	10
170	175	KLH 50 G2E 170	<b>724,91</b>	10
180	185	KLH 50 G2E 180	<b>748,06</b>	10

#### Componenti del set:

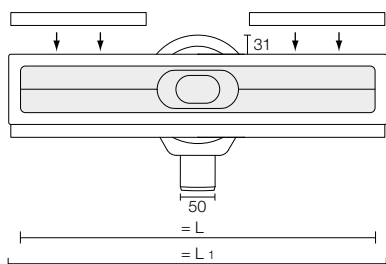
- 1 angoli preformati (per raccordo con pareti adiacenti)
- 2 canalina con tassello di tenuta e supporto
- 3 sifone antiodore in due pezzi
- 4 adattatore
- 5 corpo di scarico

#### Dati tecnici:

Scarico	DN 50
Capacità di scarico	0,8 l/s
Profondità della tenuta idraulica	50 mm
Altezza d'installazione	120 mm
Larghezza griglia inclusa cornice	74 mm

#### Nota:

Per le combinazioni di griglie e cornici o supporti a scomparsa vedi pagine 217-221.





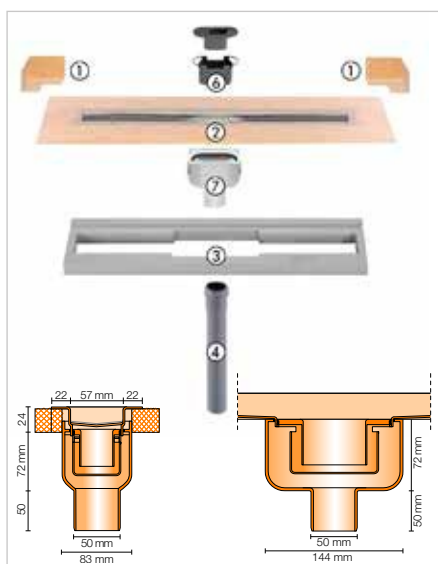
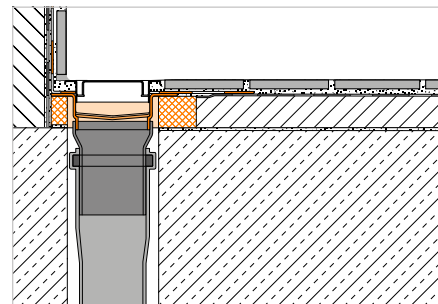
## Canalina lineare con scarico verticale

### Schlüter®-KERDI-LINE-V



Schlüter-KERDI-LINE-V è una canalina lineare per la realizzazione di docce a filo pavimento con scarico verticale. Nella doccia può essere installata sia in posizione centrale che laterale. E' presente un tassello di tenuta in Schlüter-KERDI già solidamente incollato sul bordo esterno della canalina. Questo garantisce una perfetta integrazione della canalina col sistema di impermeabilizzazione orizzontale e verticale.

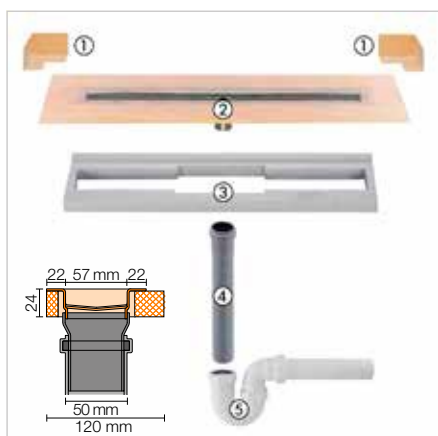
(Scheda tecnica 8.7)



### Schlüter®-KERDI-LINE-V

set di canalina in acciaio inossidabile V4A con sifone integrato e scarico verticale DN 50 (diam. 50)

L (cm)	L1 (cm)	Cod. Art.	CHF / kit	conf. (set)
50	55	KLV 50 GE 50	<b>338,10</b>	10
60	65	KLV 50 GE 60	<b>351,81</b>	10
70	75	KLV 50 GE 70	<b>365,52</b>	10
80	85	KLV 50 GE 80	<b>379,18</b>	10
90	95	KLV 50 GE 90	<b>393,76</b>	10
100	105	KLV 50 GE 100	<b>408,30</b>	10
110	115	KLV 50 GE 110	<b>419,42</b>	10
120	125	KLV 50 GE 120	<b>432,26</b>	10
130	135	KLV 50 GE 130	<b>572,53</b>	10
140	145	KLV 50 GE 140	<b>587,67</b>	10
150	155	KLV 50 GE 150	<b>605,29</b>	10
160	165	KLV 50 GE 160	<b>626,96</b>	10
170	175	KLV 50 GE 170	<b>646,17</b>	10
180	185	KLV 50 GE 180	<b>668,27</b>	10



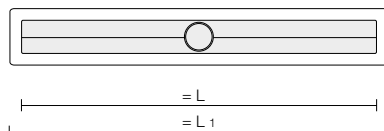
### Schlüter®-KERDI-LINE-VS

set di canalina in acciaio inossidabile V4A con tubo sifonato e scarico verticale DN 50 (diam. 50)

L (cm)	L1 (cm)	Cod. Art.	CHF / kit	conf. (set)
50	55	KLV 50 GSE 50	<b>338,10</b>	10
60	65	KLV 50 GSE 60	<b>351,81</b>	10
70	75	KLV 50 GSE 70	<b>365,52</b>	10
80	85	KLV 50 GSE 80	<b>379,18</b>	10
90	95	KLV 50 GSE 90	<b>393,76</b>	10
100	105	KLV 50 GSE 100	<b>408,30</b>	10
110	115	KLV 50 GSE 110	<b>419,42</b>	10
120	125	KLV 50 GSE 120	<b>432,26</b>	10
130	135	KLV 50 GSE 130	<b>572,53</b>	10
140	145	KLV 50 GSE 140	<b>587,67</b>	10
150	155	KLV 50 GSE 150	<b>605,29</b>	10
160	165	KLV 50 GSE 160	<b>626,96</b>	10
170	175	KLV 50 GSE 170	<b>646,17</b>	10
180	185	KLV 50 GSE 180	<b>668,27</b>	10

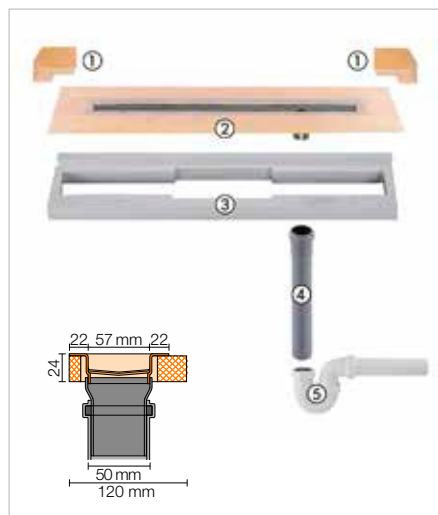
#### Componenti del set:

- 1 impermeabilizzazione ad angolo (per raccordo a parete laterale)
- 2 canalina con tassello di tenuta
- 3 supporto canalina
- 4 tubo di scarico DN 50 (L = 250 mm)
- 5 tubo sifonato
- 6 sifone ispezionabile in due parti
- 7 corpo di scarico



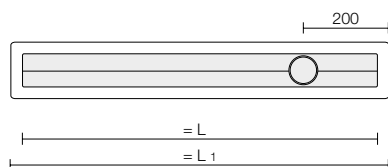
#### Nota:

Per le combinazioni di griglie e cornici o supporti a scomparsa vedi pagine 217-221.



**Componenti del set:**

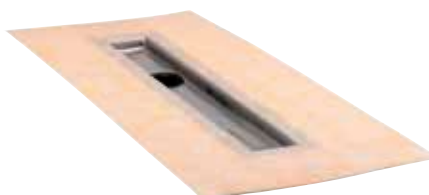
- 1 impermeabilizzazione ad angolo (per raccordo a parete laterale)
- 2 canalina con tassello di tenuta
- 3 supporto canalina
- 4 tubo di scarico DN 50 (L = 250 mm)
- 5 tubo sifonato



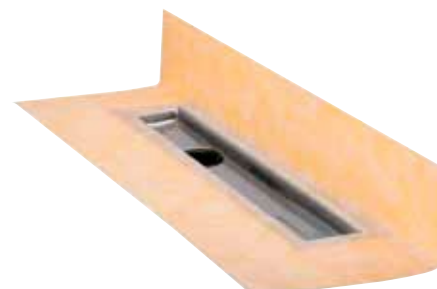
**Schlüter®-KERDI-LINE-VOS**

canalina in acciaio inossidabile V4A con tubo sifonato e scarico verticale DN 50 (diam. 50) decentrato lateralmente

L (cm)	L1 (cm)	Cod. Art.	CHF / kit	conf. (set)
70	75	KLVO 50 GSE 70	<b>433,93</b>	10
80	85	KLVO 50 GSE 80	<b>447,42</b>	10
90	95	KLVO 50 GSE 90	<b>466,23</b>	10
100	105	KLVO 50 GSE 100	<b>482,98</b>	10
110	115	KLVO 50 GSE 110	<b>493,21</b>	10
120	125	KLVO 50 GSE 120	<b>507,14</b>	10



Schlüter-KERDI tassello, per scarico centrale



Schlüter-KERDI tassello, per scarico laterale

**Dati tecnici:**

	-V	-VS/-VOS
Scarico	DN 50	DN 50
Capacità di scarico	0,8 l/s	1,0 l/s
Profondità della tenuta idraulica	30 mm	50 mm
Altezza d'installazione	24 mm	24 mm
Larghezza griglia inclusa cornice	74 mm	74 mm

**Nota:**

Per le combinazioni di griglie e cornici abbinabili vedi pagg. 217-220. La finitura Schlüter-KERDI-LINE-D non è abbinabile alla canalina di scarico decentrata verticale Schlüter-KERDI-LINE-VOS.

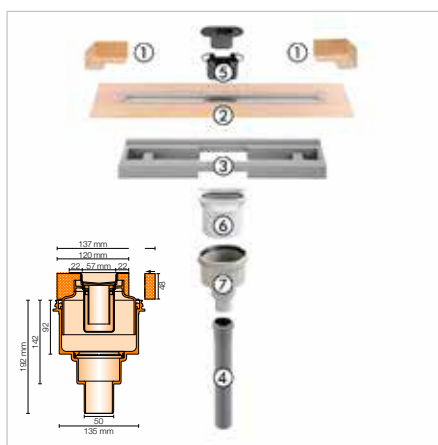
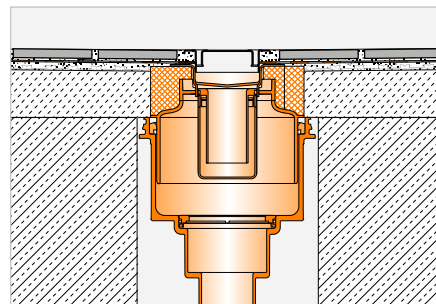


## Canalina lineare con scarico verticale

### Schlüter®-KERDI-LINE-V 50 G2

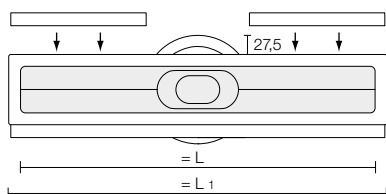


Schlüter-KERDI-LINE-V 50 G2 è una canalina lineare per la realizzazione di docce a filo pavimento con scarico verticale. Può essere installata sia in posizione centrale che laterale nella doccia e dispone di una profondità della tenuta idraulica di 50 mm e di una capacità di scarico  $\geq 0,8$  l/s, corrispondenti alla UNI EN 1253. Schlüter-KERDI già saldata su di essa funge da tassello di tenuta per realizzare una perfetta sigillatura della canalina sull'impermeabilizzazione del piatto o contro la parete. (Scheda tecnica 8.7)



#### Componenti del set:

- 1 impermeabilizzazione ad angolo (per raccordo a parete laterale)
- 2 canalina con tassello di tenuta
- 3 supporto canalina
- 4 tubo di scarico
- 5 sifone antidore in due pezzi
- 6 adattatore
- 7 corpo di scarico



### Schlüter®-KERDI-LINE-V 50 G2

set di canalina in acciaio inossidabile V4A con sifone integrato e scarico verticale DN 50 (diam. 50)

L (cm)	L1 (cm)	Cod. Art.	CHF / kit	conf. (set)
50	55	KLV 50 G2E 50	<b>424,13</b>	10
60	65	KLV 50 G2E 60	<b>439,59</b>	10
70	75	KLV 50 G2E 70	<b>455,01</b>	10
80	85	KLV 50 G2E 80	<b>462,72</b>	10
90	95	KLV 50 G2E 90	<b>478,15</b>	10
100	105	KLV 50 G2E 100	<b>493,55</b>	10
110	115	KLV 50 G2E 110	<b>501,27</b>	10
120	125	KLV 50 G2E 120	<b>516,69</b>	10
130	135	KLV 50 G2E 130	<b>655,51</b>	10
140	145	KLV 50 G2E 140	<b>670,92</b>	10
150	155	KLV 50 G2E 150	<b>686,36</b>	10
160	165	KLV 50 G2E 160	<b>709,46</b>	10
170	175	KLV 50 G2E 170	<b>724,91</b>	10
180	185	KLV 50 G2E 180	<b>748,06</b>	10

#### Dati tecnici:

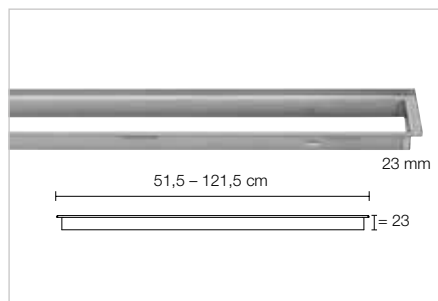
Scarico	DN 50
Capacità di scarico	1,0 l/s
Profondità della tenuta idraulica	50 mm
Altezza d'installazione	48 mm
Larghezza griglia inclusa cornice	74 mm

#### Nota:

Per le combinazioni di griglie e cornici o supporti a scomparsa vedi pagine 217-221.

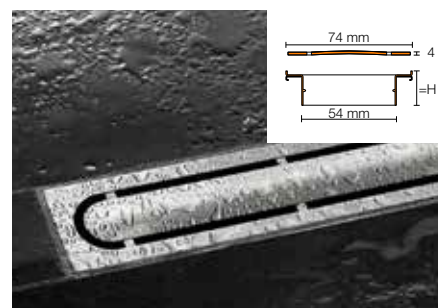
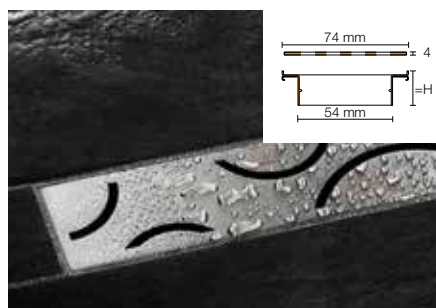
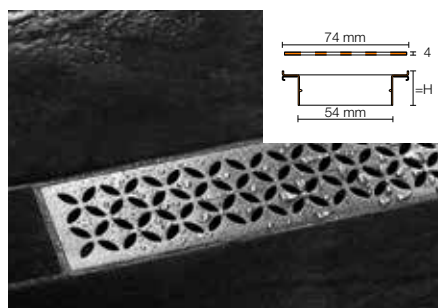
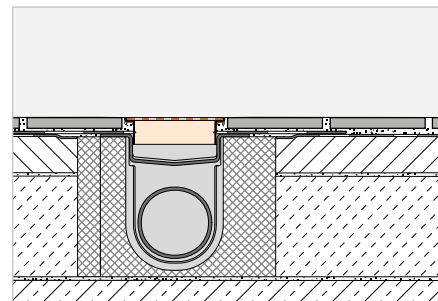


## Combinazione griglia/cornice

**Schlüter®-KERDI-LINE-STYLE**


Schlüter-KERDI-LINE-STYLE sono telai con eleganti griglie di design in acciaio inossidabile spazzolato, da abbinare alle canaline Schlüter-KERDI-LINE. Il telaio sottile è adatto a materiali da rivestimento da 6 a 18 mm e rimane perfettamente allineato senza creare alcun dislivello. Le griglie decorative sono disponibili nei design FLORAL, CURVE e PURE.

(Scheda tecnica 8.7)


**Schlüter®-KERDI-LINE-IF-E**

design FLORAL, con telaio h. 23 mm, acciaio inossidabile V4A spazzolato

L (cm)	H = 23 mm Cod. Art.	CHF / kit	conf. (set)
50	KLIFE 23 EB 50	<b>397,14</b>	10
60	KLIFE 23 EB 60	<b>412,10</b>	10
70	KLIFE 23 EB 70	<b>427,10</b>	10
80	KLIFE 23 EB 80	<b>457,08</b>	10
90	KLIFE 23 EB 90	<b>487,05</b>	10
100	KLIFE 23 EB 100	<b>517,01</b>	10
110	KLIFE 23 EB 110	<b>546,99</b>	10
120	KLIFE 23 EB 120	<b>576,97</b>	10

**Schlüter®-KERDI-LINE-IF-F**

design CURVE, con telaio h. 23 mm, acciaio inossidabile V4A spazzolato

L (cm)	H = 23 mm Cod. Art.	CHF / kit	conf. (set)
50	KLIFF 23 EB 50	<b>382,15</b>	10
60	KLIFF 23 EB 60	<b>397,14</b>	10
70	KLIFF 23 EB 70	<b>412,10</b>	10
80	KLIFF 23 EB 80	<b>434,59</b>	10
90	KLIFF 23 EB 90	<b>457,08</b>	10
100	KLIFF 23 EB 100	<b>479,56</b>	10
110	KLIFF 23 EB 110	<b>502,03</b>	10
120	KLIFF 23 EB 120	<b>524,50</b>	10

**Schlüter®-KERDI-LINE-IF-G**

design PURE, con telaio h. 23 mm, acciaio inossidabile V4A spazzolato

L (cm)	H = 23 mm Cod. Art.	CHF / kit	conf. (set)
50	KLIFG 23 EB 50	<b>427,10</b>	10
60	KLIFG 23 EB 60	<b>442,08</b>	10
70	KLIFG 23 EB 70	<b>457,08</b>	10
80	KLIFG 23 EB 80	<b>479,56</b>	10
90	KLIFG 23 EB 90	<b>502,03</b>	10
100	KLIFG 23 EB 100	<b>524,50</b>	10
110	KLIFG 23 EB 110	<b>546,99</b>	10
120	KLIFG 23 EB 120	<b>576,97</b>	10

**Nota:**

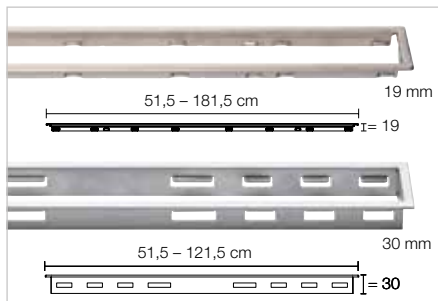
H = 23 mm per rivestimenti di spessore da 6 a 18 mm

Le griglie di design ed i relativi telai non possono essere combinati con quelli della serie Schlüter-KERDI-LINE-A/-B/-C/-D.



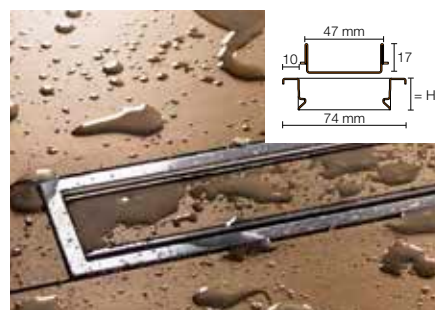
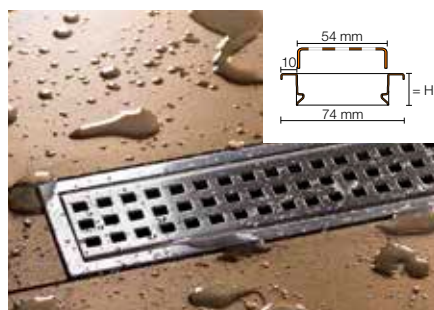
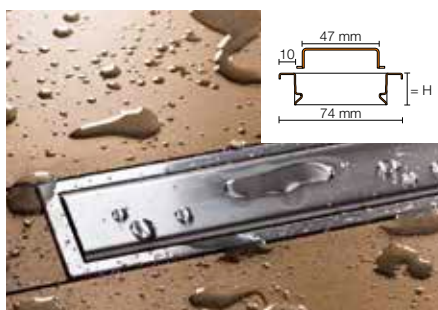
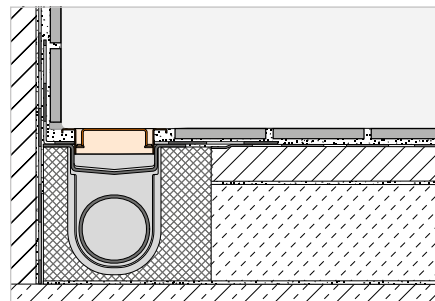
## Combinazione griglia/cornice

### Schlüter®-KERDI-LINE-A/-B/-C



Schlüter-KERDI-LINE sono cornici in acciaio inossidabile spazzolato, acciaio lucido o colorato con griglie decorative adatte alle canaline KERDI-LINE. La cornice della canalina si allinea perfettamente con materiali da rivestimento da 3 a 25 mm senza creare alcun dislivello. Le griglie decorative sono disponibili nei design SOLID (A), SQUARE (B) e FRAMED TILE (C).

(Scheda tecnica 8.7)



#### Schlüter®-KERDI-LINE-A

design SOLID, con cornice h. 19 mm, acciaio inossidabile V4A spazzolato

L (cm)	H = 19 mm Cod. Art.	CHF / kit	conf. (set)
50	KLA 19 EB 50	276,48	10
60	KLA 19 EB 60	283,85	10
70	KLA 19 EB 70	291,03	10
80	KLA 19 EB 80	298,38	10
90	KLA 19 EB 90	305,57	10
100	KLA 19 EB 100	312,77	10
110	KLA 19 EB 110	320,43	10
120	KLA 19 EB 120	327,85	10
130	KLA 19 EB 130	466,62	10
140	KLA 19 EB 140	487,89	10
150	KLA 19 EB 150	504,66	10
160	KLA 19 EB 160	531,65	10
170	KLA 19 EB 170	553,74	10
180	KLA 19 EB 180	572,53	10

#### Schlüter®-KERDI-LINE-B

design SQUARE, con cornice h. 19 mm, acciaio inossidabile V4A spazzolato

L (cm)	H = 19 mm Cod. Art.	CHF / kit	conf. (set)
50	KLB 19 EB 50	276,48	10
60	KLB 19 EB 60	283,85	10
70	KLB 19 EB 70	291,03	10
80	KLB 19 EB 80	298,38	10
90	KLB 19 EB 90	305,57	10
100	KLB 19 EB 100	312,77	10
110	KLB 19 EB 110	320,43	10
120	KLB 19 EB 120	327,85	10
130	KLB 19 EB 130	466,62	10
140	KLB 19 EB 140	487,89	10
150	KLB 19 EB 150	504,66	10
160	KLB 19 EB 160	531,65	10
170	KLB 19 EB 170	553,74	10
180	KLB 19 EB 180	572,53	10

#### Schlüter®-KERDI-LINE-C

design FRAMED TILE, con cornice h. 19 mm, acciaio inossidabile V4A spazzolato

L (cm)	H = 19 mm Cod. Art.	CHF / kit	conf. (set)
50	KLCA 19 EB 50	276,48	10
60	KLCA 19 EB 60	283,85	10
70	KLCA 19 EB 70	291,03	10
80	KLCA 19 EB 80	298,38	10
90	KLCA 19 EB 90	305,57	10
100	KLCA 19 EB 100	312,77	10
110	KLCA 19 EB 110	320,43	10
120	KLCA 19 EB 120	327,85	10
130	KLCA 19 EB 130	466,62	10
140	KLCA 19 EB 140	487,89	10
150	KLCA 19 EB 150	504,66	10
160	KLCA 19 EB 160	531,65	10
170	KLCA 19 EB 170	553,74	10
180	KLCA 19 EB 180	572,53	10

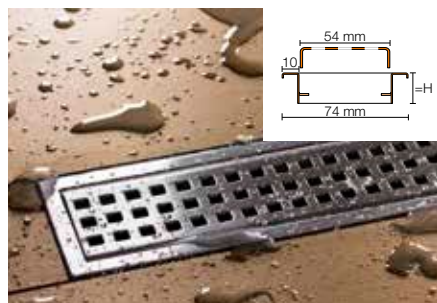
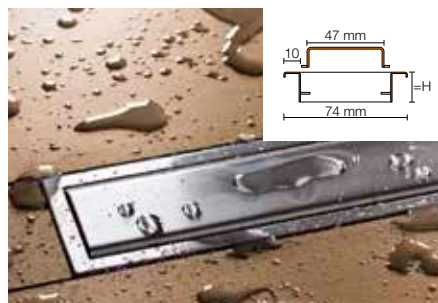
#### Nota:

H = 19 mm per rivestimenti di spessore da 3 a 15 mm

**i**  
Le cornici e le griglie Schlüter-KERDI-LINE-A/-B/-C possono essere fornite anche con incisioni personalizzate. Potete trovare ulteriori informazioni alla pag. 32 e segg.

#### Nota:

Griglia/inserto a U FRAMED TILE (piastrellabile, Design C) adatta per rivestimenti fino a 15 mm



### Schlüter®-KERDI-LINE-A

design SOLID, con cornice h. 30 mm, acciaio inossidabile V4A spazzolato

L (cm)	H = 30 mm Cod. Art.	CHF / kit	conf. (set)
50	KLA 30 EB 50	285,07	10
60	KLA 30 EB 60	291,89	10
70	KLA 30 EB 70	299,24	10
80	KLA 30 EB 80	307,98	10
90	KLA 30 EB 90	314,15	10
100	KLA 30 EB 100	321,85	10
110	KLA 30 EB 110	329,35	10
120	KLA 30 EB 120	335,54	10

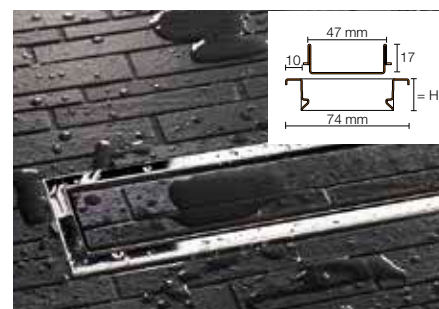
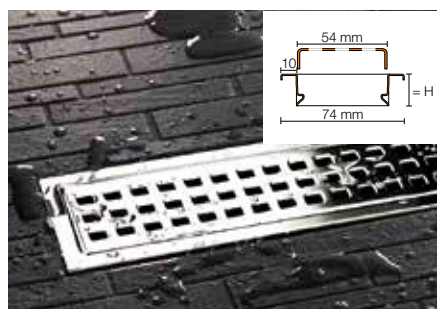
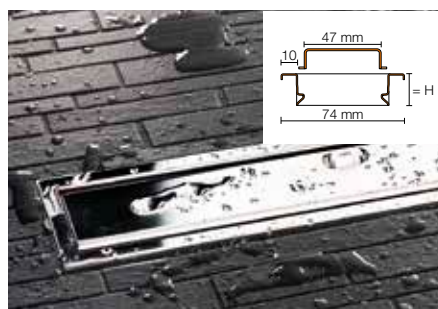
### Schlüter®-KERDI-LINE-B

design SQUARE, con cornice h. 30 mm, acciaio inossidabile V4A spazzolato

L (cm)	H = 30 mm Cod. Art.	CHF / kit	conf. (set)
50	KLB 30 EB 50	285,07	10
60	KLB 30 EB 60	291,89	10
70	KLB 30 EB 70	299,24	10
80	KLB 30 EB 80	307,98	10
90	KLB 30 EB 90	314,15	10
100	KLB 30 EB 100	321,85	10
110	KLB 30 EB 110	329,35	10
120	KLB 30 EB 120	335,54	10

#### Nota:

H = 30 mm per rivestimenti di spessore da 13 a 25 mm



### Schlüter®-KERDI-LINE-A

design SOLID, con cornice h. 19 mm, acciaio inossidabile V4A lucidato a specchio

L (cm)	H = 19 mm Cod. Art.	CHF / kit	conf. (set)
50	KLA 19 EP 50	299,99	10
60	KLA 19 EP 60	307,98	10
70	KLA 19 EP 70	315,75	10
80	KLA 19 EP 80	323,75	10
90	KLA 19 EP 90	331,57	10
100	KLA 19 EP 100	339,37	10
110	KLA 19 EP 110	347,69	10
120	KLA 19 EP 120	355,70	10

### Schlüter®-KERDI-LINE-B

design SQUARE, con cornice h. 19 mm, acciaio inossidabile V4A lucidato a specchio

L (cm)	H = 19 mm Cod. Art.	CHF / kit	conf. (set)
50	KLB 19 EP 50	299,99	10
60	KLB 19 EP 60	307,98	10
70	KLB 19 EP 70	315,75	10
80	KLB 19 EP 80	323,75	10
90	KLB 19 EP 90	331,57	10
100	KLB 19 EP 100	339,37	10
110	KLB 19 EP 110	347,69	10
120	KLB 19 EP 120	355,70	10

### Schlüter®-KERDI-LINE-C

design FRAMED TILE, con cornice h. 19 mm, acciaio inossidabile V4A lucidato a specchio

L (cm)	H = 19 mm Cod. Art.	CHF / kit	conf. (set)
50	KLCA 19 EP 50	288,92	10
60	KLCA 19 EP 60	296,62	10
70	KLCA 19 EP 70	304,14	10
80	KLCA 19 EP 80	311,81	10
90	KLCA 19 EP 90	319,33	10
100	KLCA 19 EP 100	326,84	10
110	KLCA 19 EP 110	334,88	10
120	KLCA 19 EP 120	342,61	10

#### Nota:

H = 19 mm per rivestimenti di spessore da 3 a 15 mm



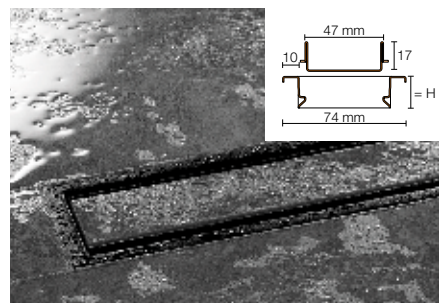
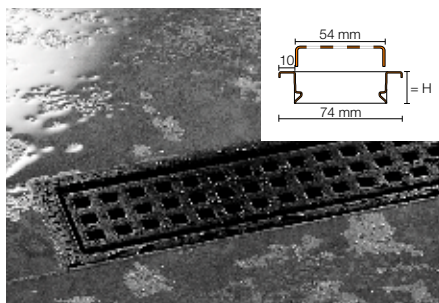
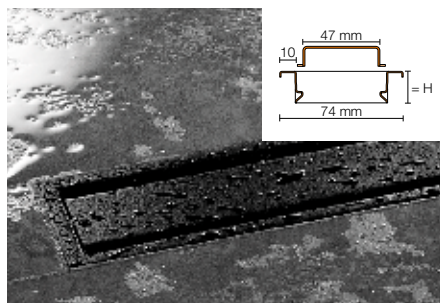
Acciaio inossidabile lucido – abbinabile alle superfici cromate

#### Nota:

Griglia/inserto a U FRAMED TILE (piastrellabile, Design C) adatta per rivestimenti fino a 15 mm



## Combinazione griglia/cornice



### Schlüter®-KERDI-LINE-A

design SOLID, con cornice h. 19 mm, acciaio inossidabile V4A colorato nero opaco

L (cm)	H = 19 mm Cod. Art.	CHF / kit	conf. (set)
50	KLA 19 MGS 50	359,43	10
60	KLA 19 MGS 60	369,03	10
70	KLA 19 MGS 70	378,33	10
80	KLA 19 MGS 80	387,90	10
90	KLA 19 MGS 90	397,27	10
100	KLA 19 MGS 100	406,62	10
110	KLA 19 MGS 110	416,56	10
120	KLA 19 MGS 120	426,21	10

### Schlüter®-KERDI-LINE-B

design SQUARE, con cornice h. 19 mm, acciaio inossidabile V4A colorato nero opaco

L (cm)	H = 19 mm Cod. Art.	CHF / kit	conf. (set)
50	KLB 19 MGS 50	359,43	10
60	KLB 19 MGS 60	369,03	10
70	KLB 19 MGS 70	378,33	10
80	KLB 19 MGS 80	387,90	10
90	KLB 19 MGS 90	397,27	10
100	KLB 19 MGS 100	406,62	10
110	KLB 19 MGS 110	416,56	10
120	KLB 19 MGS 120	426,21	10

### Schlüter®-KERDI-LINE-C

design FRAMED TILE, con cornice h. 19 mm, acciaio inossidabile V4A colorato nero opaco

L (cm)	H = 19 mm Cod. Art.	CHF / kit	conf. (set)
50	KLCA 19 MGS 50	359,43	10
60	KLCA 19 MGS 60	369,03	10
70	KLCA 19 MGS 70	378,33	10
80	KLCA 19 MGS 80	387,90	10
90	KLCA 19 MGS 90	397,27	10
100	KLCA 19 MGS 100	406,62	10
110	KLCA 19 MGS 110	416,56	10
120	KLCA 19 MGS 120	426,21	10

#### Nota:

H = 19 mm per rivestimenti di spessore da 3 a 15 mm

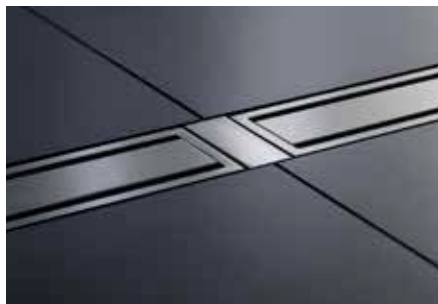
#### Nota:

Griglia/inserto a U FRAMED TILE (piastrellabile, Design C) adatta per rivestimenti fino a 15 mm

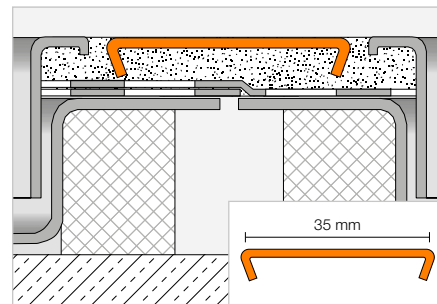


## Accessori

### Schlüter®-KERDI-LINE-FC



Schlüter-KERDI-LINE-FC è un elemento in acciaio inossidabile di qualità V4A per il collegamento decorativo delle griglie in caso di installazione in linea di diverse canaline Schlüter-KERDI-LINE.  
(Scheda tecnica 8.7)



#### Schlüter®-KERDI-LINE-FC

elemento di collegamento per cornice, acciaio inossidabile V4A spazzolato

Cod. Art.	CHF / pz	crt. (pz.)
V / KL EB 35	<b>16,24</b>	10

#### Schlüter®-KERDI-LINE-FC

elemento di collegamento per cornice, acciaio inossidabile V4A lucidato a specchio

Cod. Art.	CHF / pz	crt. (pz.)
V / KL EP 35	<b>17,06</b>	10

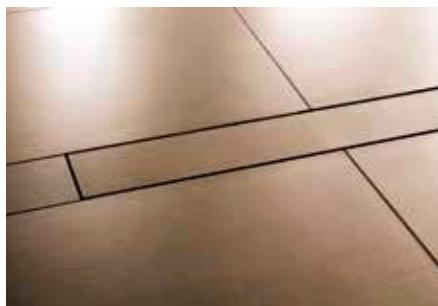
#### Schlüter®-KERDI-LINE-FC

elemento di collegamento per cornice, acciaio inossidabile V4A colorato, nero opaco

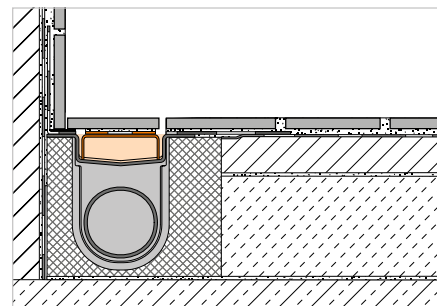
Cod. Art.	CHF / pz	crt. (pz.)
V / KL MGS 35	<b>21,13</b>	10

## Griglia rivestibile a scomparsa

### Schlüter®-KERDI-LINE-D



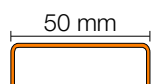
Schlüter-KERDI-LINE-D è una griglia rivestibile a scomparsa senza cornice visibile, abbinabile alla canalina Schlüter-KERDI-LINE. Il supporto è già provvisto di tessuto non tessuto per l'ancoraggio della colla e può essere utilizzato per rivestimenti di qualsiasi spessore.  
(Scheda tecnica 8.7)



#### Schlüter®-KERDI-LINE-D

design TILE (senza cornice), acciaio inossidabile V4A

L (cm)	Cod. Art.	CHF / pz	crt. (pz.)
49	KLD E 50	<b>113,85</b>	10
59	KLD E 60	<b>120,26</b>	10
69	KLD E 70	<b>128,85</b>	10
79	KLD E 80	<b>136,50</b>	10
89	KLD E 90	<b>143,80</b>	10
99	KLD E 100	<b>152,81</b>	10
109	KLD E 110	<b>161,77</b>	10
119	KLD E 120	<b>169,05</b>	10
129	KLD E 130	<b>249,16</b>	10
139	KLD E 140	<b>256,74</b>	10
149	KLD E 150	<b>267,97</b>	10
159	KLD E 160	<b>280,54</b>	10
169	KLD E 170	<b>291,44</b>	10
179	KLD E 180	<b>314,90</b>	10



#### Nota:

Scegliere il supporto D in funzione della lunghezza della canalina.

Schlüter-KERDI-LINE-D non è abbinabile alla canalina di scarico decentrata verticale Schlüter-KERDI-LINE-VOS.

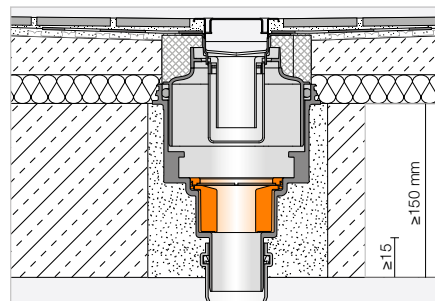


## Innesto antincendio

### Schlüter®-KERDI-LINE-BS



Schlüter-KERDI-LINE-BS è un innesto di protezione antincendio con guarnizione ad incastro. Abbinato alla canalina con scarico verticale KLV 50 G2, impedisce il propagarsi di un eventuale incendio da un piano all'altro. (Scheda tecnica 8.7)



### Schlüter®-KERDI-LINE-BS

innesto di protezione antincendio con guarnizione ad incastro

Cod. Art.	CHF / pz	crt. (pz.)
KL BS	188,84	10

## Innesto antincendio

### Schlüter®-KERDI-DRAIN-ZBS



Schlüter-KERDI-DRAIN-ZBS è un innesto di chiusura per l'installazione interpiano con funzione di protezione antincendio. Abbinato al set di scarico a pavimento verticale KD BAV 50 GVB o in abbinamento alla soluzione lineare in acciaio inossidabile con scarico verticale KLV 50 G2, funge da barriera per il propagarsi interpiano di un incendio. Sostituisce la classica chiusura a malta di un foro passante di diametro 160 mm. Evita anche la creazione di ponti acustici. Per garantire una corretta protezione antincendio interpiano da installare sempre in abbinamento a KD BS o KL BS. (Scheda tecnica 8.2)

### Schlüter®-KERDI-DRAIN-ZBS

guarnizione di passaggio con funzione di protezione antincendio

Cod. Art.	CHF / pz	crt. (pz.)
KD ZBS	194,05	10

## Sifone antiodore

### Schlüter®-KERDI-LINE-GTO



Schlüter-KERDI-LINE-GTO è un sifone antiodore a secco con valvola in silicone per scarichi lineari per la gamma Schlüter-KERDI-LINE. Il suo utilizzo è particolarmente indicato per docce utilizzate in modo sporadico (come per esempio in case di vacanza) per evitare il rischio della formazione di cattivi odori da attendersi invece con tradizionali sifoni antiodore che si asciugano in prolungati periodi di mancato utilizzo. Con una buona capacità di scarico, 0,4 l/s, può comunque sostituire un sifone antiodore classico anche in normali situazioni di utilizzo quotidiano. (Scheda tecnica 8.7)

### Schlüter®-KERDI-LINE-GTO

sifone antiodore

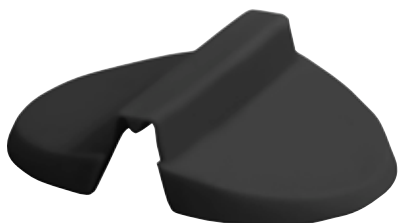
Cod. Art.	CHF / pz	crt. (pz.)
KL GTO	36,46	10

#### Nota:

Non utilizzabile con Schlüter-KERDI-LINE-F/-VS/-VOS.

## Sifone antiodore

### Schlüter®-KERDI-LINE-GTM



Schlüter-KERDI-LINE-GTM è una valvola a secco di ricambio per Schlüter-KERDI-DRAIN-R10 GT e Schlüter-KERDI-LINE-GTO. (Scheda tecnica 8.7)

#### Schlüter®-KERDI-LINE-GTM

valvola a secco, ricambio

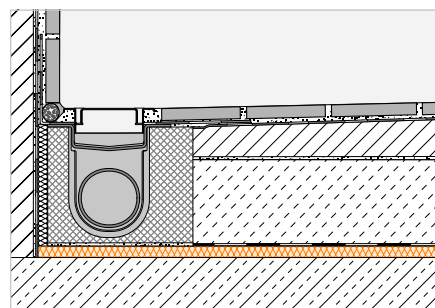
Cod. Art.	CHF / pz	crt. (pz.)
KL GTM	19,68	10

## Pannello per isolamento acustico

### Schlüter®-KERDI-LINE-SR



Schlüter-KERDI-LINE-SR è uno speciale pannello con capacità di attenuazione del rumore. Correttamente installato in abbinamento ai sistemi Schlüter-KERDI-LINE, KERDI-LINE-SR permette di realizzare docce a filo pavimento con valori di isolamento acustico nel rispetto dei requisiti normativi in essere in diversi paesi. (Scheda tecnica 8.7)



#### Schlüter®-KERDI-LINE-SR

pannelli in feltro PES (contenuto: 1 pannello)

Spessore (mm)	Cod. Art.	CHF / pz	crt. (pz.)
10	KL SR 250	25,88	5

#### Schlüter®-KERDI-LINE-SR

pannelli in feltro PES (contenuto: 4 pannelli)

Spessore (mm)	Cod. Art.	CHF / Conf.	crt. (conf.)
10	KL SR 1000	87,19	5

#### Schlüter®-DITRA-SOUND-KB

strisce adesive per coprire giunzioni

38 mm x 50 m Cod. Art.	CHF / pz	crt. (pz.)
DS KB 38	19,00	10

Dimensioni singolo pannello: 0,5 m x 0,5 m = 0,25 m<sup>2</sup>



#### Nota:

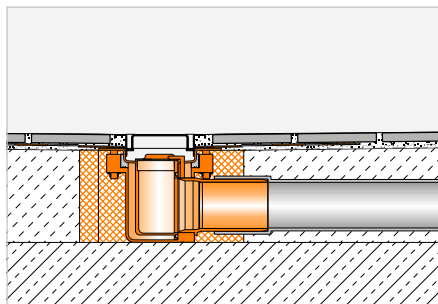
I dettagli dei sistemi d'installazione certificati vengono forniti su richiesta.



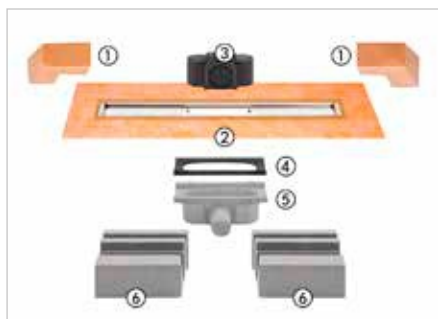
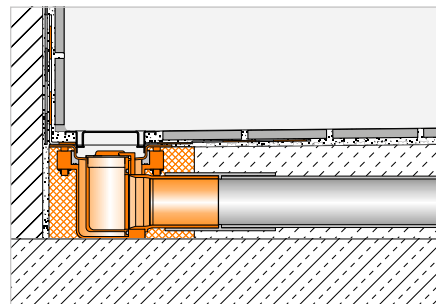
**i**  
Attualmente disponibile solo per il mercato britannico! Diametro esterno 43 mm

## Canalina lineare con scarico orizzontale

### Schlüter®-KERDI-LINE-G3



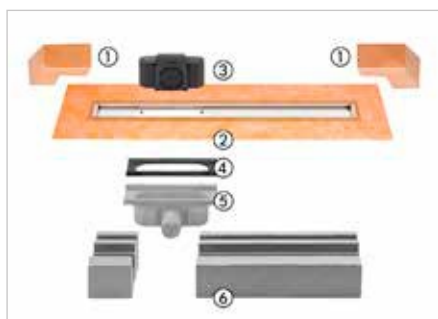
Schlüter-KERDI-LINE-G3 è uno scarico lineare con altezza ridotta in acciaio inossidabile. Questa canalina è disponibile con scarico centrale, decentrato e doppio e si può collocare sia lateralmente che al centro del piatto doccia. Come tutte le canaline Schlüter, è dotata di tassello Schlüter-KERDI già incorporato per consentire un raccordo a tenuta con i sistemi di impermeabilizzazione sotto manto ceramico.



#### Schlüter®-KERDI-LINE-G3

scarico centrale, canalina in acciaio inossidabile V4A

L (cm)	L1 (cm)	Cod. Art.	CHF / kit	conf. (set)
50	55	KL F 43 G3E 50	<b>390,83</b>	10
60	65	KL F 43 G3E 60	<b>405,31</b>	10
70	75	KL F 43 G3E 70	<b>419,78</b>	10
80	85	KL F 43 G3E 80	<b>434,26</b>	10
90	95	KL F 43 G3E 90	<b>448,72</b>	10
100	105	KL F 43 G3E 100	<b>463,21</b>	10
110	115	KL F 43 G3E 110	<b>477,69</b>	10
120	125	KL F 43 G3E 120	<b>492,15</b>	10



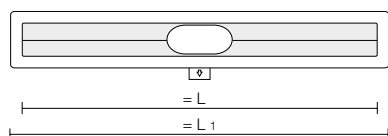
#### Schlüter®-KERDI-LINE-G3

scarico decentrato a sinistra, canalina in acciaio inossidabile V4A

L (cm)	L1 (cm)	Cod. Art.	CHF / kit	conf. (set)
70	75	KL FOL 43 G3E 70	<b>463,21</b>	10
80	85	KL FOL 43 G3E 80	<b>477,69</b>	10
90	95	KL FOL 43 G3E 90	<b>492,15</b>	10
100	105	KL FOL 43 G3E 100	<b>506,63</b>	10
110	115	KL FOL 43 G3E 110	<b>521,11</b>	10
120	125	KL FOL 43 G3E 120	<b>535,58</b>	10

#### Componenti del set:

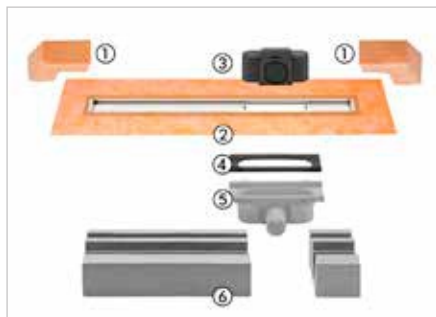
- angoli preformati (per raccordo con pareti adiacenti)
- canalina con tassello di tenuta
- sifone antiodore
- guarnizione EPDM
- corpo di scarico
- supporto canalina



#### Dati tecnici:

Scarico	BS 40 (43 mm diametro esterno)
Capacità di scarico	0,45 l/s (scarico singolo) 0,8 l/s (scarico doppio)
Profondità della tenuta idraulica	50 mm
Altezza d'installazione	78 mm
Larghezza griglia inclusa cornice	74 mm

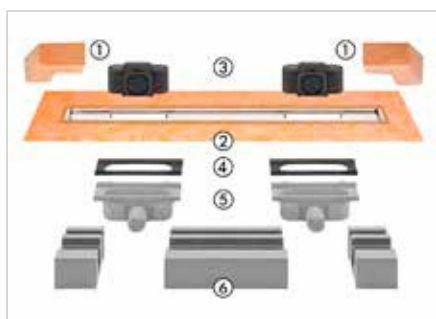




### Schlüter®-KERDI-LINE-G3

scarico decentrato a destra, canalina in acciaio inossidabile V4A

L (cm)	L1 (cm)	Cod. Art.	CHF / kit	conf. (set)
70	75	KL FOR 43 G3E 70	<b>463,21</b>	10
80	85	KL FOR 43 G3E 80	<b>477,69</b>	10
90	95	KL FOR 43 G3E 90	<b>492,15</b>	10
100	105	KL FOR 43 G3E 100	<b>506,63</b>	10
110	115	KL FOR 43 G3E 110	<b>521,11</b>	10
120	125	KL FOR 43 G3E 120	<b>535,58</b>	10



### Schlüter®-KERDI-LINE-G3

scarico decentrato doppio, canalina in acciaio inossidabile V4A

L (cm)	L1 (cm)	Cod. Art.	CHF / kit	conf. (set)
100	105	KL F20 43 G3E 100	<b>607,97</b>	10
110	115	KL F20 43 G3E 110	<b>622,43</b>	10
120	125	KL F20 43 G3E 120	<b>636,90</b>	10

#### Componenti del set:

- 1 angoli preformati  
(per raccordo con pareti adiacenti)
- 2 canalina con tassello di tenuta
- 3 sifone antiodore
- 4 guarnizione EPDM
- 5 corpo di scarico
- 6 supporto canalina

#### Dati tecnici:

Scarico	BS 40 (43 mm diametro esterno)
Capacità di scarico	0,45 l/s (scarico singolo) 0,8 l/s (scarico doppio)
Profondità della tenuta idraulica	50 mm
Altezza d'installazione	78 mm
Larghezza griglia inclusa cornice	74 mm

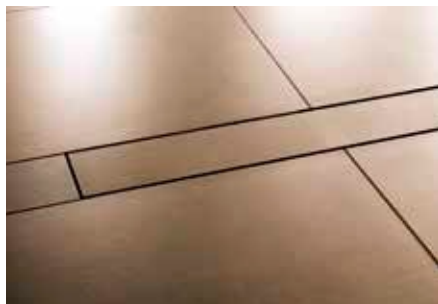
**i**  
Schlüter-KERDI-LINE-G3 è abbinabile  
soltanto con le combinazioni griglia/telaio  
Design A, Design B e KERDI-LINE-STYLE.



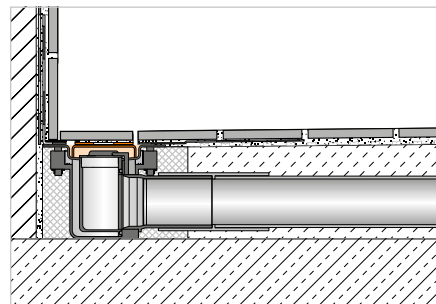
## Griglia rivestibile a scomparsa

**i**  
Attualmente disponibile solo per il mercato britannico!

### Schlüter®-KERDI-LINE-D-G3



Schlüter-KERDI-LINE-D-G3 è una griglia rivestibile a scomparsa senza cornice visibile, abbinabile alla canalina Schlüter-KERDI-LINE-G3. Il supporto piastrellabile è già provvisto di tessuto non tessuto per l'ancoraggio della colla e può essere utilizzato per rivestimenti di qualsiasi spessore.



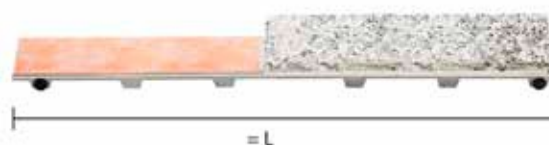
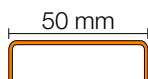
**Nota:**

Scegliere il supporto D in funzione della lunghezza della canalina.

### Schlüter®-KERDI-LINE-D-G3

design TILE (senza cornice), acciaio inossidabile V4A

L (cm)	Cod. Art.	CHF / pz	crt. (pz.)
49	KLD G3E 50	<b>113,85</b>	10
59	KLD G3E 60	<b>120,28</b>	10
69	KLD G3E 70	<b>128,83</b>	10
79	KLD G3E 80	<b>136,50</b>	10
89	KLD G3E 90	<b>143,80</b>	10
99	KLD G3E 100	<b>152,79</b>	10
109	KLD G3E 110	<b>161,77</b>	10
119	KLD G3E 120	<b>169,06</b>	10



## Accessori per l'installazione

**i**  
Questo kit di accessori è concepito per le esigenze costruttive del mercato inglese!

### Schlüter®-KERDI-LINE-F-G3



Schlüter-KERDI-LINE-F-G3 Timber Accessory è un kit di accessori per l'installazione della canalina Schlüter-KERDI-LINE-G3 in un solaio e pavimento in legno con l'utilizzo dei pannelli pendenzati Schlüter-KERDI-SHOWER-LTS (KSLT 1365 / 2000 S).

### Schlüter®-KERDI-LINE-F-G3

kit di accessori per la canalina Schlüter-KERDI-LINE-G3

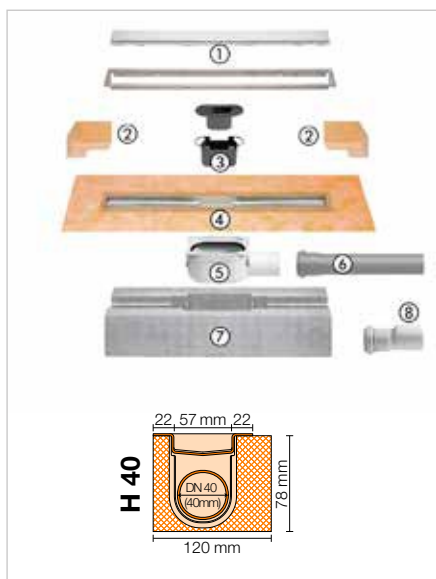
Cod. Art.	CHF / kit	conf. (set)
KL F 43 G3 TA	<b>57,66</b>	10

Set completo

Schlüter®-KERDI-LINE-A Set



Schlüter-KERDI-LINE-A Set sono kit completi per la realizzazione di docce a filo pavimento con canalina a scarico orizzontale. Si possono installare sia in posizione centrale che laterale in prossimità del muro. Un tassello di tenuta in Schlüter-KERDI è già solidamente incollato sul bordo esterno della canalina. Questo garantisce una perfetta integrazione della canalina col sistema di impermeabilizzazione orizzontale e verticale. Oltre al corpo di scarico, il kit include griglia e cornice Schlüter-KERDI-LINE-A in acciaio inossidabile e diversi accessori per la posa.  
(Scheda tecnica 8.7)



Schlüter®-KERDI-LINE-A Set

canalina in acciaio inossidabile V4A con sifone e scarico DN 40 (diam. 40) orizzontale, incl. griglia decorativa SOLID con cornice h.19 mm, acciaio inossidabile V4A spazzolato

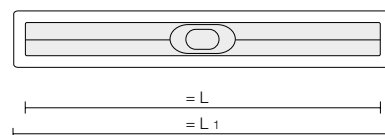
L (cm)	L1 (cm)	Cod. Art.	CHF / kit	pal. (kit)
80	85	KLA 19 EB 80 S1	<b>645,46</b>	10
90	95	KLA 19 EB 90 S1	<b>663,21</b>	10

Nota:

Cornice H = 19 mm per spessori di rivestimento da 3 a 15 mm

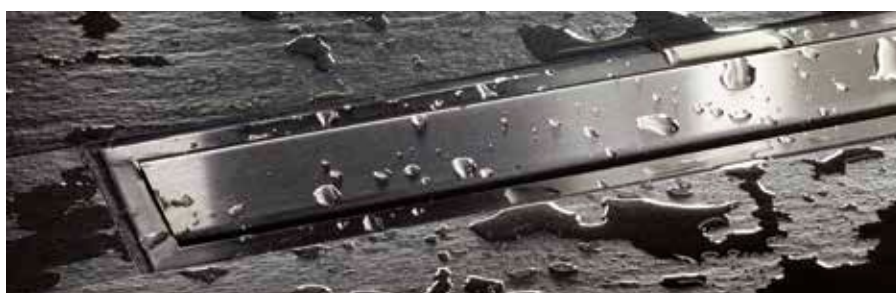
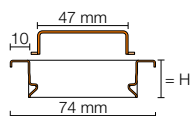
Dati tecnici:

Scarico	DN 40
Capacità di scarico	0,5 l/s
Profondità della tenuta idraulica	25 mm
Altezza d'installazione	78 mm
Larghezza griglia inclusa cornice	74 mm



Componenti del set:

- 1 griglia/cornice design SOLID
- 2 impermeabilizzazione ad angolo (per raccordo a parete laterale)
- 3 sifone antiodore in due pezzi
- 4 canalina con tassello di tenuta
- 5 corpo di scarico
- 6 tubo di scarico
- 7 supporto canalina
- 8 adattatore da DN 40 a DN 50



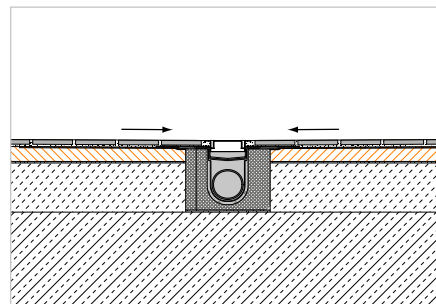


## Pannello pendenziato

### Schlüter®-KERDI-SHOWER-LT



Schlüter-KERDI-SHOWER-LT è un pannello pendenziato in polistirolo resistente, già dotato di uno strato di guaina impermeabilizzante Schlüter-KERDI. Nelle docce a filo pavimento forma una pendenza perfetta per l'inserimento di uno scarico lineare centrale Schlüter-KERDI-LINE. Al centro del pannello pendenziato si posiziona la canalina di scarico e si incolla sul sottofondo precedentemente livellato in altezza. Nel caso di scarichi verticali il pannello pendenziato può anche essere posto direttamente su un sottofondo idoneo. E' possibile tagliare il pannello nella misura desiderata utilizzando un taglierino e seguendo le scanalature presenti sullo stesso. (Scheda tecnica 8.8)



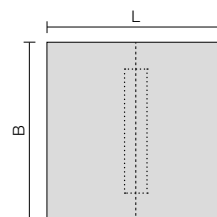
### Schlüter®-KERDI-SHOWER-LT

pannello pendenziato per canalina, versione centrale

L x B (cm)	H (mm)	Pendenza (%)	Cod. Art.	CHF / pz	crt. (pz.)
100 x 100	32	2	KSLT 1000	<b>204,22</b>	10
122 x 122	34	2	KSLT 1220	<b>239,43</b>	10
139 x 139	36	2	KSLT 1395	<b>288,72</b>	10

#### Nota:

Schlüter-KERDI-SHOWER-LT da abbinare a Schlüter-KERDI-LINE-H e KERDI-LINE-V – non utilizzabile con Schlüter-KERDI-LINE-F.



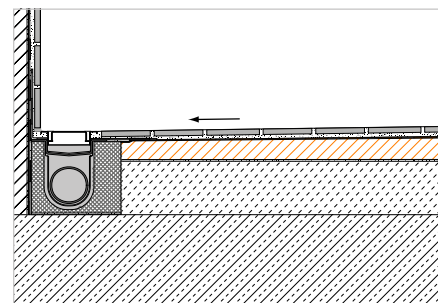
## Pannello pendenziato

### Schlüter®-KERDI-SHOWER-LTS



Schlüter-KERDI-SHOWER-LTS è un pannello pendenziato in polistirolo resistente, già provvisto di uno strato di guaina impermeabilizzante Schlüter-KERDI. Nelle docce a filo pavimento forma una pendenza perfetta per uno scarico lineare a parete Schlüter-KERDI-LINE. Il pannello pendenziato si incolla sul sottofondo precedentemente livellato in altezza e si raccorda con la canalina. Nel caso di scarichi verticali il pannello pendenziato può anche essere posto direttamente su un sottofondo idoneo, senza livellamento in altezza. E' possibile tagliare il pannello nella misura desiderata utilizzando un taglierino e seguendo le scanalature presenti sullo stesso.

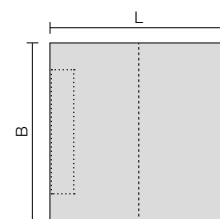
(Scheda tecnica 8.8)



### Schlüter®-KERDI-SHOWER-LTS

pannello pendenziato quadrato, per scarico lineare laterale

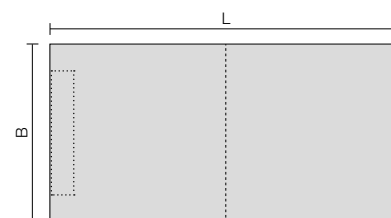
L x B (cm)	H (mm)	H1 (mm)	Pendenza (%)	Cod. Art.	CHF / pz	crt. (pz.)
100 x 100	42	22	2	KSLT 1000 S	<b>204,22</b>	10
122 x 122	46	22	2	KSLT 1220 S	<b>239,43</b>	10
139 x 139	50	22	2	KSLT 1395 S	<b>288,72</b>	10



### Schlüter®-KERDI-SHOWER-LTS

pannello pendenziato per scarico lineare, laterale sul lato corto

L x B (cm)	H (mm)	H1 (mm)	Pendenza (%)	Cod. Art.	CHF / pz	crt. (pz.)
139 x 91	50	22	2	KSLT 915 / 1395 S	<b>232,40</b>	10
183 x 91	58	22	2	KSLT 915 / 1830 S	<b>302,81</b>	10
193 x 96	60	22	2	KSLT 965 / 1930 S	<b>316,89</b>	10
200 x 136	39	13	1,25	KSLT 1365 / 2000 S*	<b>330,97</b>	10

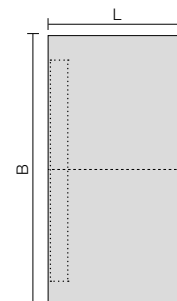


\* Da abbinare a Schlüter-KERDI-LINE-H – non utilizzabile con Schlüter-KERDI-LINE-F e -KERDI-LINE-V. La pendenza di questo pannello è 1,25 %. Non può essere abbinato a Schlüter-SHOWERPROFILE-S.

### Schlüter®-KERDI-SHOWER-LTS

pannello pendenziato per scarico lineare, laterale sul lato lungo

L x B (cm)	H (mm)	H1 (mm)	Pendenza (%)	Cod. Art.	CHF / pz	crt. (pz.)
96 x 193	41	22	2	KSLT 1930 / 965 S	<b>316,89</b>	10



#### Nota:

Schlüter-KERDI-LINE-LTS (escluso KSLT 1365 / 2000 S\*) da abbinare a Schlüter-KERDI-LINE-H e -KERDI-LINE-V – non utilizzabile con Schlüter-KERDI-LINE-F.



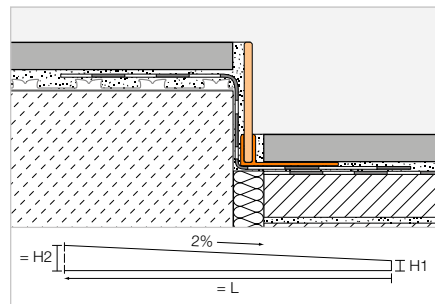
## Profilo a cuneo

### Schlüter®-SHOWERPROFILE-S



Schlüter-SHOWERPROFILE-S è un profilo a cuneo realizzato con una superficie a vista in acciaio inossidabile spazzolato o con finitura a rilievo TRENDLINE ed è adatto come profilo decorativo di chiusura nelle docce a filo pavimento con pendenza del 2%. Sulla parte posteriore il profilo presenta un tessuto non tessuto che ne permette l'ancoraggio al collante. La parte che funge da sostegno è in PVC rigido e realizzata a forma di U in diverse altezze. Il profilo a cuneo può essere tagliato a misura, nel punto più alto o in quello più basso, per coprire perfettamente la zona. Si può utilizzare sia a destra che a sinistra, nel collegamento tra pavimenti o sotto il rivestimento di una parete laterale.

(Scheda tecnica 14.1)



#### Schlüter®-SHOWERPROFILE-SPS 50

profilo di alloggiamento in PVC con cuneo in acciaio inossidabile spazzolato V4A, H1 = 6 mm

H (mm)	L = 2,00 m Cod. Art.	CHF / pz	cassa (pz.)
5	SPSA 50 EB/200	<b>126,59</b>	40
	L = 1,60 m		
5	SPSA 50 EB/160	<b>88,25</b>	40
	L = 1,20 m		
5	SPSA 50 EB/120	<b>64,36</b>	40

#### Schlüter®-SHOWERPROFILE-SPS 100

profilo di alloggiamento in PVC con cuneo in acciaio inossidabile spazzolato V4A, H1 = 10 mm

H (mm)	L = 2,00 m Cod. Art.	CHF / pz	cassa (pz.)
10	SPSB 100 EB/200	<b>134,33</b>	40
	L = 1,60 m		
10	SPSB 100 EB/160	<b>90,39</b>	40
	L = 1,20 m		
10	SPSB 100 EB/120	<b>68,99</b>	40

#### Schlüter®-SHOWERPROFILE-SPS 125

profilo di alloggiamento in PVC con cuneo in acciaio inossidabile spazzolato V4A, H1 = 10 mm

H (mm)	L = 2,00 m Cod. Art.	CHF / pz	cassa (pz.)
12,5	SPSB 125 EB/200	<b>134,33</b>	40
	L = 1,60 m		
12,5	SPSB 125 EB/160	<b>90,39</b>	40
	L = 1,20 m		
12,5	SPSB 125 EB/120	<b>68,99</b>	40

#### Schlüter®-SHOWERPROFILE-SPS 50

profilo di alloggiamento in PVC con cuneo in acciaio inossidabile spazzolato V4A, colorato H1 = 6 mm

H (mm)	L = 2,00 m Cod. Art.	CHF / pz	cassa (pz.)
5	SPSA 50 ...*/200	<b>158,56</b>	40
5	SPSA 50 ...**/200	<b>161,44</b>	40
	L = 1,60 m		
5	SPSA 50 ...*/160	<b>111,86</b>	40
5	SPSA 50 ...**/160	<b>115,31</b>	40
	L = 1,20 m		
5	SPSA 50 ...*/120	<b>81,88</b>	40
5	SPSA 50 ...**/120	<b>84,18</b>	40

#### Schlüter®-SHOWERPROFILE-SPS 100

profilo di alloggiamento in PVC con cuneo in acciaio inossidabile spazzolato V4A, colorato H1 = 10 mm

H (mm)	L = 2,00 m Cod. Art.	CHF / pz	cassa (pz.)
10	SPSB 100 ...*/200	<b>167,21</b>	40
10	SPSB 100 ...**/200	<b>172,97</b>	40
	L = 1,60 m		
10	SPSB 100 ...*/160	<b>114,16</b>	40
10	SPSB 100 ...**/160	<b>117,62</b>	40
	L = 1,20 m		
10	SPSB 100 ...*/120	<b>89,94</b>	40
10	SPSB 100 ...**/120	<b>92,25</b>	40

#### Schlüter®-SHOWERPROFILE-SPS 125

profilo di alloggiamento in PVC con cuneo in acciaio inossidabile spazzolato V4A, colorato H1 = 10 mm

H (mm)	L = 2,00 m Cod. Art.	CHF / pz	cassa (pz.)
12,5	SPSB 125 ...*/200	<b>167,21</b>	40
12,5	SPSB 125 ...**/200	<b>172,97</b>	40
	L = 1,60 m		
12,5	SPSB 125 ...*/160	<b>114,16</b>	40
12,5	SPSB 125 ...**/160	<b>117,62</b>	40
	L = 1,20 m		
12,5	SPSB 125 ...*/120	<b>89,94</b>	40
12,5	SPSB 125 ...**/120	<b>92,25</b>	40

Completare il Cod. Art. con finitura/colore (ad es. SPSB 125 MGS/200)

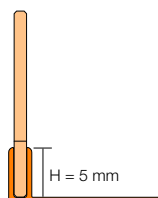
\* Finiture/colori: MBW - MGS

\*\* Finiture/colori: TSBG - TSC - TSDA - TSG - TSI - TSOB - TSSG

## Finiture | Colori disponibili



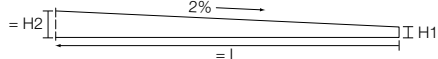
A pagina 340 e segg. è disponibile una panoramica delle finiture e dei colori.



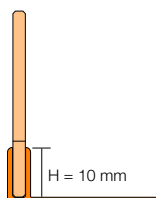
**SPS 50**

H = altezza del profilo di alloggiamento

SPS 50 è adatto per rivestimenti da 6 a 9 mm



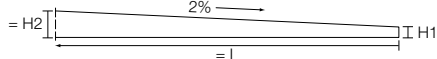
Profilo a cuneo 120 cm: H2 = 30 mm, H1 = 6 mm  
 Profilo a cuneo 160 cm: H2 = 38 mm, H1 = 6 mm  
 Profilo a cuneo 200 cm: H2 = 46 mm, H1 = 6 mm



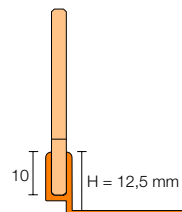
**SPS 100**

H = altezza del profilo di alloggiamento

SPS 100 è adatto per rivestimenti di spessore da 10 a 18 mm



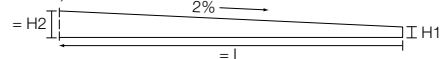
Profilo a cuneo 120 cm: H2 = 34 mm, H1 = 10 mm  
 Profilo a cuneo 160 cm: H2 = 42 mm, H1 = 10 mm  
 Profilo a cuneo 200 cm: H2 = 50 mm, H1 = 10 mm



**SPS 125**

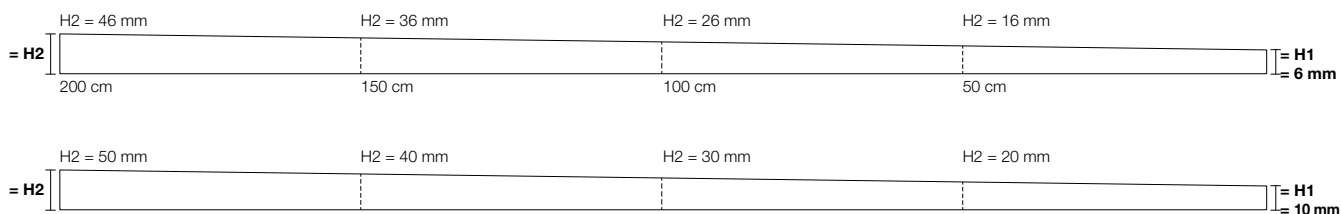
H = altezza del profilo di alloggiamento

SPS 125 è adatto per rivestimenti di spessore da 12,5 a 20 mm



Profilo a cuneo 120 cm: H2 = 34 mm, H1 = 10 mm  
 Profilo a cuneo 160 cm: H2 = 42 mm, H1 = 10 mm  
 Profilo a cuneo 200 cm: H2 = 50 mm, H1 = 10 mm

2% = 2 mm / 10 cm



**Nota:**

Per ceramica di spessore più importante sono disponibili su richiesta profili a cuneo con profilo di alloggiamento di altezza 15, 18 e 22 mm.



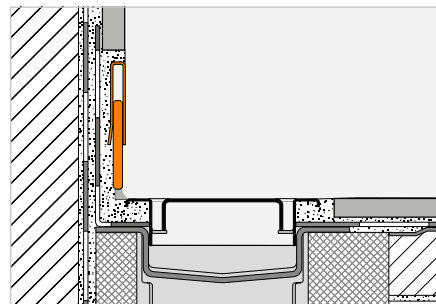
## Profilo di chiusura verso parete posteriore

### Schlüter®-SHOWERPROFILE-R



Schlüter-SHOWERPROFILE-R è un profilo realizzato in due parti adattabile in altezza, per la chiusura della differenza di quota tra piatto doccia/canalina e parete posteriore. Il profilo è disponibile con finitura a rilievo TRENDLINE o in acciaio inossidabile spazzolato. La parte posteriore presenta un tessuto non tessuto per un perfetto ancoraggio al collante. Grazie alla suddivisione in due parti, SHOWERPROFILE-R può essere adattato ad altezze che, nelle due versioni, variano da 23 mm a 45 mm.

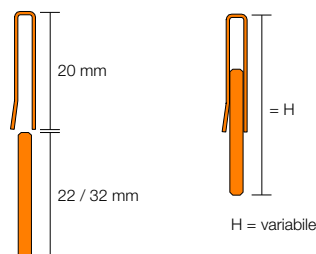
(Scheda tecnica 14.1)



#### Schlüter®-SHOWERPROFILE-RA

profilo di chiusura in due parti, acciaio inossidabile V4A spazzolato

H (mm)	L = 1,40 m Cod. Art.	CHF / pz	cassa (pz.)
23-35	SPRA 23 EB/140	<b>88,93</b>	40
33-45	SPRA 33 EB/140	<b>97,51</b>	40
<b>L = 1,00 m</b>			
23-35	SPRA 23 EB/100	<b>71,81</b>	40
33-45	SPRA 33 EB/100	<b>78,67</b>	40



#### Schlüter®-SHOWERPROFILE-RA

profilo di chiusura in due parti, acciaio inossidabile V4A colorato

H (mm)	L = 1,40 m Cod. Art.	CHF / pz	cassa (pz.)
23-35	SPRA 23 ...*/140	<b>115,31</b>	40
23-35	SPRA 23 ...**/140	<b>111,86</b>	40
33-45	SPRA 33 ...*/140	<b>124,54</b>	40
33-45	SPRA 33 ...**/140	<b>121,08</b>	40
<b>L = 1,00 m</b>			
23-35	SPRA 23 ...*/100	<b>93,41</b>	40
23-35	SPRA 23 ...**/100	<b>90,52</b>	40
33-45	SPRA 33 ...*/100	<b>103,78</b>	40
33-45	SPRA 33 ...**/100	<b>100,90</b>	40

Completare il Cod. Art. con finitura/colore (ad es. SPRA 23 TSC/140)

\* Finiture/colori: TSBG - TSC - TSDA - TSG - TSI - TSOB - TSSG

\*\* Finiture/colori: MBW - MGS

## Finiture | Colori disponibili



A pagina 340 e segg. è disponibile una panoramica delle finiture e dei colori.

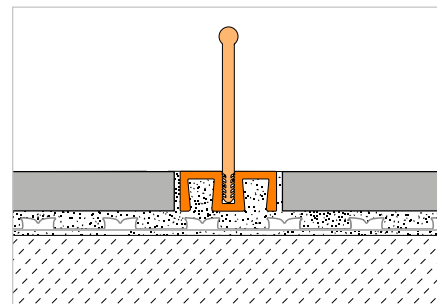


## Profilo frangionda

### Schlüter®-SHOWERPROFILE-WS



Schlüter-SHOWERPROFILE-WS è un profilo in alluminio anodizzato composto da due elementi. Funge da “frangionda” nella zona di ingresso di una doccia a filo pavimento. Il profilo di alloggiamento viene ancorato nella colla. A scelta sono disponibili due diversi tipi di labbro “frangionda” (arrotondato o dritto). Entrambe le versioni non costituiscono barriera architettonica e sono quindi idonee all’accesso con sedia a rotelle nella zona doccia. (Scheda tecnica 14.2)



### Schlüter®-SHOWERPROFILE-WS

profilo base in alluminio anodizzato

L = 3,00 m Cod. Art.	CHF / m	cassa (pz.)
SPWS 19 AE / 300	27,82	40
L = 2,50 m		
SPWS 19 AE	27,82	40
L = 1,00 m		
SPWS 19 AE / 100	29,00	40

## Labbro

### Schlüter®-SHOWERPROFILE-WSL

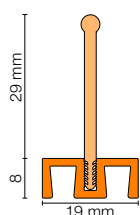
labbro dritto

L = 3,00 m Cod. Art.	CHF / m	cassa (pz.)
SPWSL 30 T / 300	17,30	40
L = 2,50 m		
SPWSL 30 T	17,30	40
L = 1,00 m		
SPWSL 30 T / 100	17,30	40

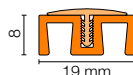
### Schlüter®-SHOWERPROFILE-WSC

labbro arrotondato

L = 3,00 m Cod. Art.	CHF / m	cassa (pz.)
SPWSC 16 GS / 300	14,33	40
L = 2,50 m		
SPWSC 16 GS	14,33	40
L = 1,00 m		
SPWSC 16 GS / 100	14,33	40



SHOWERPROFILE-WS + -WSL



SHOWERPROFILE-WS +-WSC

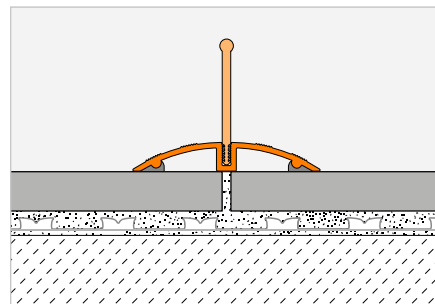


## Profilo frangionda

### Schlüter®-SHOWERPROFILE-WSK



Schlüter-SHOWERPROFILE-WSK è un profilo in alluminio anodizzato composto da due elementi. Funge da “frangionda” nella zona di ingresso di una doccia a filo pavimento. Il profilo viene incollato sulla piastrella a posa ultimata e può essere quindi installato anche su docce esistenti. A scelta sono disponibili due diversi tipi di labbro “frangionda” (arrotondato o dritto). Entrambe le versioni non costituiscono barriera architettonica e sono quindi idonee all’accesso con sedia a rotelle nella zona doccia.



#### Schlüter®-SHOWERPROFILE-WSK

profilo base in alluminio anodizzato

L = 3,00 m Cod. Art.	CHF / m	cassa (pz.)
SPWSK 52 AE / 300	32,56	40
L = 2,50 m		
SPWSK 52 AE	32,56	40
L = 1,00 m		
SPWSK 52 AE / 100	33,71	40

(Scheda tecnica 14.2)

## Labbro | Terminale

#### Schlüter®-SHOWERPROFILE-WSL

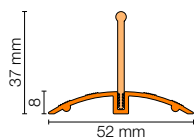
labbro dritto

L = 3,00 m Cod. Art.	CHF / m	cassa (pz.)
SPWSL 30 T / 300	17,30	40
L = 2,50 m		
SPWSL 30 T	17,30	40
L = 1,00 m		
SPWSL 30 T / 100	17,30	40

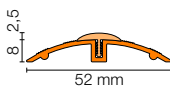
#### Schlüter®-SHOWERPROFILE-WSC

labbro arrotondato

L = 3,00 m Cod. Art.	CHF / m	cassa (pz.)
SPWSC 16 GS / 300	14,33	40
L = 2,50 m		
SPWSC 16 GS	14,33	40
L = 1,00 m		
SPWSC 16 GS / 100	14,33	40



SHOWERPROFILE-WSK + -WSL

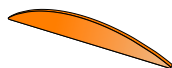


SHOWERPROFILE-WSK + -WSC

#### Schlüter®-SHOWERPROFILE-WSK/EK

terminale

Cod. Art.	CHF / pz	crt. (pz.)
EK / SPWSK 52 AE	4,53	50



SHOWERPROFILE-WSK/EK

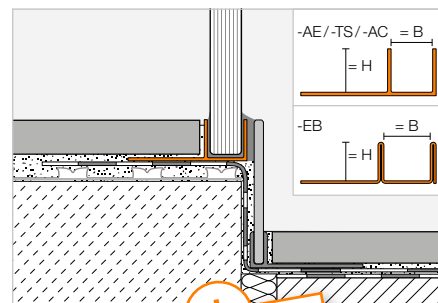


## Profilo di alloggiamento

### Schlüter®-DECO-SG



Schlüter-DECO-SG è un profilo che crea una sede di larghezza 12 o 15 mm in una superficie piastrellata per l'inserimento di elementi in vetro nel pavimento o nel rivestimento. Il profilo può essere inoltre utilizzato per creare una decorativa fuga ad ombra.  
(Scheda tecnica 2.16)



**i**  
Ora disponibili nei colori TRENDLINE!

#### Schlüter®-DECO-SG-EB

acciaio inossidabile V4A spazzolato, B = 12 mm

H (mm)	L = 2,50 m Cod. Art.	CHF / m	cassa (pz.)
8	SG 80 EB 12	<b>57,90</b>	120
10	SG 100 EB 12	<b>60,79</b>	120
11	SG 110 EB 12	<b>63,69</b>	120
12,5	SG 125 EB 12	<b>66,58</b>	120

#### Schlüter®-DECO-SG-EB

acciaio inossidabile V4A spazzolato, B = 15 mm

H (mm)	L = 2,50 m Cod. Art.	CHF / m	cassa (pz.)
8	SG 80 EB 15	<b>62,25</b>	120
10	SG 100 EB 15	<b>65,15</b>	120
11	SG 110 EB 15	<b>68,04</b>	120
12,5	SG 125 EB 15	<b>70,93</b>	120

#### Schlüter®-DECO-SG-AE

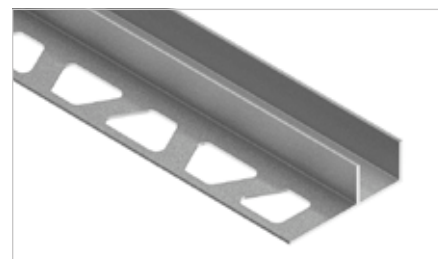
alluminio anodizzato, B = 12 mm

H (mm)	L = 2,50 m Cod. Art.	CHF / m	cassa (pz.)
8	SG 80 AE 12	<b>20,68</b>	120
10	SG 100 AE 12	<b>21,23</b>	120
11	SG 110 AE 12	<b>21,74</b>	120
12,5	SG 125 AE 12	<b>22,28</b>	120

#### Schlüter®-DECO-SG-AE

alluminio anodizzato, B = 15 mm

H (mm)	L = 2,50 m Cod. Art.	CHF / m	cassa (pz.)
8	SG 80 AE 15	<b>23,94</b>	120
10	SG 100 AE 15	<b>24,29</b>	120
11	SG 110 AE 15	<b>25,14</b>	120
12,5	SG 125 AE 15	<b>25,70</b>	120



#### Schlüter®-DECO-SG-AC

alluminio colorato, B = 12 mm

H (mm)	L = 2,50 m Cod. Art.	CHF / m	cassa (pz.)
8	SG 80 ...* 12	<b>24,22</b>	120
10	SG 100 ...* 12	<b>24,80</b>	120
11	SG 110 ...* 12	<b>25,37</b>	120
12,5	SG 125 ...* 12	<b>25,94</b>	120

#### Schlüter®-DECO-SG-AC

alluminio colorato, B = 15 mm

H (mm)	L = 2,50 m Cod. Art.	CHF / m	cassa (pz.)
8	SG 80 ...* 15	<b>28,25</b>	120
10	SG 100 ...* 15	<b>28,83</b>	120
11	SG 110 ...* 15	<b>29,41</b>	120
12,5	SG 125 ...* 15	<b>29,98</b>	120

**MyDesign by Schlüter-Systems**  
E' possibile personalizzare il colore scegliendo tra 190 tonalità della gamma RAL Classic.  
Per maggiori dettagli consultare pag. 16.

#### Schlüter®-DECO-SG-TS

alluminio con finitura a rilievo, B = 12 mm

H (mm)	L = 2,50 m Cod. Art.	CHF / m	cassa (pz.)
8	SG 80 ...** 12	<b>29,07</b>	120
10	SG 100 ...** 12	<b>29,75</b>	120
11	SG 110 ...** 12	<b>30,44</b>	120
12,5	SG 125 ...** 12	<b>31,13</b>	120

#### Schlüter®-DECO-SG-TS

alluminio con finitura a rilievo, B = 15 mm

H (mm)	L = 2,50 m Cod. Art.	CHF / m	cassa (pz.)
8	SG 80 ...** 15	<b>33,90</b>	120
10	SG 100 ...** 15	<b>34,60</b>	120
11	SG 110 ...** 15	<b>35,29</b>	120
12,5	SG 125 ...** 15	<b>35,98</b>	120

**Completare il Cod. Art. con il colore**  
(ad es. SG 80 TSOB 15)

\* Colori disponibili: MBW - MGS

\*\* Colori disponibili:

TSBG - TSC - TSDA - TSG - TSI - TSOB - TSSG

## Finiture | Colori disponibili



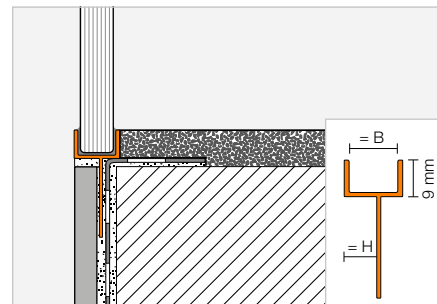
A pagina 340 e segg. è disponibile una panoramica delle finiture e dei colori.



## Profilo di alloggiamento



**i**  
Nuova geometria DECO-SGC per angoli adiacenti a pareti intonacate



### Schlüter®-DECO-SGC-AE

alluminio anodizzato, B = 12 mm

H (mm)	L = 2,50 m Cod. Art.	CHF / m	cassa (pz.)
8	SGC 80 AE 12	<b>22,37</b>	120
10	SGC 100 AE 12	<b>22,88</b>	120
11	SGC 110 AE 12	<b>23,47</b>	120
12,5	SGC 125 AE 12	<b>24,07</b>	120

### Schlüter®-DECO-SGC-AE

alluminio anodizzato, B = 15 mm

H (mm)	L = 2,50 m Cod. Art.	CHF / m	cassa (pz.)
8	SGC 80 AE 15	<b>25,88</b>	120
10	SGC 100 AE 15	<b>26,21</b>	120
11	SGC 110 AE 15	<b>27,13</b>	120
12,5	SGC 125 AE 15	<b>27,72</b>	120



# Schlüter®-KERDI-DRAIN

## Scarico puntuale per interni

Scarico orizzontale  
con sifone

Kit corpo di scarico a pavimento  
in DN 40/50, DN 50, DN 50/70 240-241

Scarico verticale  
con sifone

Kit corpo di scarico a pavimento  
in DN 50, DN 70, DN 100 242-245

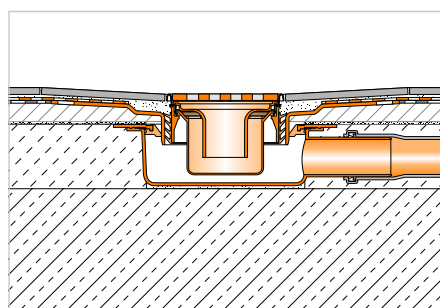
Accessori 246-248

Kit completi 249-250

i

**KERDI-DRAIN da esterno è  
disponibile nella sezione  
Balconi e Terrazze dalla pag. 303!**





- ① Corpo di scarico Schlüter®-KERDI-DRAIN
- ② Set cornici/griglie Schlüter®-KERDI-DRAIN
- ③ Schlüter®-KERDI-SHOWER
- ④ Schlüter®-DITRA
- ⑤ Schlüter®-KERDI 200
- ⑥ Schlüter®-KERDI-KEBA
- ⑦ Schlüter®-SHOWERPROFILE-WS/-WSK
- ⑧ Schlüter®-DECO-SG
- ⑨ Schlüter®-DILEX-RF

Pagina 241-245

Pagina 241-245

Pagina 251-252

Pagina 165

Pagina 188

Pagina 189

Pagina 233-234

Pagina 235

Pagina 139

Nelle prossime pagine sono elencate tutte le principali combinazioni di griglie con cornice e di scarichi a pavimento orizzontali o verticali. Segue una sezione con le parti singole per soluzioni particolari o ricambi.

# Schlüter®-KERDI-DRAIN

## Doccia a filo pavimento con scarico puntuale

Lo scarico puntuale Schlüter-KERDI-DRAIN è disponibile con drenaggio orizzontale o verticale. I pannelli pendenzati Schlüter-KERDI-SHOWER permettono di realizzare in modo facile e veloce un sottofondo planare e già impermeabilizzato, pronto per la posa della ceramica o della pietra naturale. Schlüter-SHOWERPROFILE offrono una soluzione bella e funzionale alla necessità di chiudere i dislivelli a cuneo tra il piatto doccia inclinato ed il pavimento adiacente e possono fungere da paraspruzzo nella zona di accesso alla doccia senza creare una barriera architettonica. Schlüter-DECO-SG offre un elegante alloggio per divisorie in vetro nella zona doccia senza alcun elemento in metallo visibile. Schlüter-KERDI e -DITRA garantiscono l'impermeabilizzazione sotto manto ceramico a parete e a pavimento. L'impermeabilizzazione delle giunzioni avviene con le fascette Schlüter-KERDI-KEBA ed il collante Schlüter-KERDI-COLL.  
(Scheda tecnica 8.2)

Le nostre proposte classiche, robuste e collaudate nel tempo



Design 1: CLASSIC



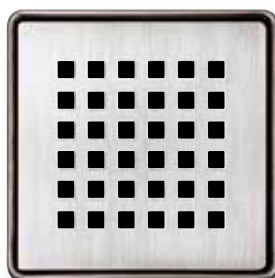
Design 1: CLASSIC



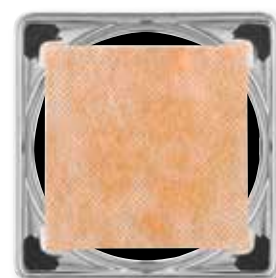
Design 1: CLASSIC ROUND



Design 2: TRAPEZOID

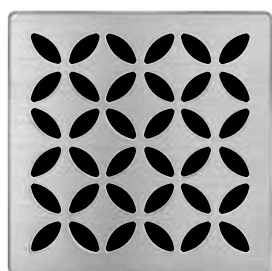


Design 3: SQUARE



Design 4: TILE

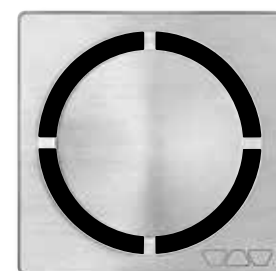
Schlüter®-KERDI-DRAIN-STYLE



Design 5: FLORAL



Design 6: CURVE



Design 7: PURE



# Schlüter®-KERDI-DRAIN

Scarico orizzontale con sifone

Scarico puntuale per interni

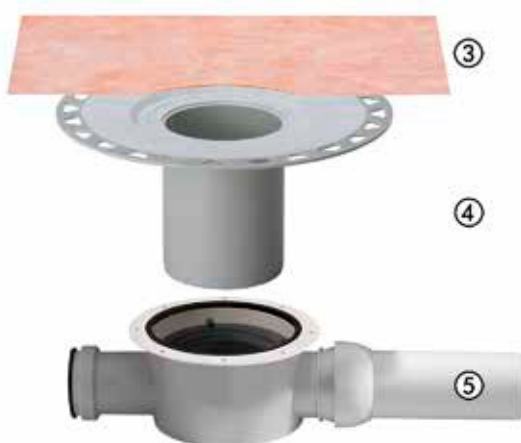


①

②

## Set di griglie con telaio

- ① Griglia in acciaio inossidabile con supporto
- ② Collare per la regolazione dell'altezza



③

④

⑤

## Set di scarico

- ③ Tassello Schlüter-KERDI
- ④ Flangia di incollaggio
- ⑤ Corpo di scarico inserito nel sottofondo in CLS

### Nota:

Il set di scarico a pavimento e il set griglia/cornice devono essere ordinati singolarmente.

Caratteristiche delle griglie



### Solo KERDI-DRAIN-BASE:

Le griglie sono provviste di sifone e guarnizione a labbro.



Ad eccezione della griglia a scomparsa KD R10 ED4 tutte le griglie dispongono di una prolunga e di un collare per la regolazione dell'altezza. Queste griglie non sono sifonate; il relativo sifone è integrato nel corpo di scarico. Tutte le griglie sono provviste di filtro di protezione ad eccezione di KD R10 ED4, KD R15 ED1 S, KD R15 ED1 SB e KD R15 ED1 SR.

Design griglie



Design 1  
CLASSIC



Design 1  
CLASSIC  
ROUND



Design 2  
TRAPEZOID



Design 3  
SQUARE



Design 4  
TILE



Design 5  
FLORAL



Design 6  
CURVE



Design 7  
PURE



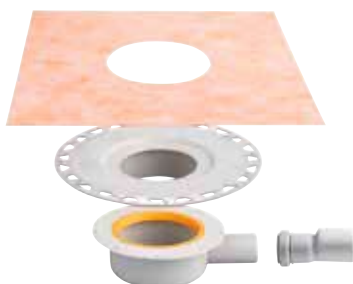
**DN 40/50**

Capacità di scarico: 0,4 l/s, Altezza costruttiva minima: 75 (70) mm

Set di scarico	+	Set di griglie con telaio incl. sifone antiodore	L x B (cm)	Cod. Art.	CHF / pz
Schlüter®-KERDI-DRAIN-BASE		Design 1, acciaio inossidabile, con viti	10 x 10	KD R10 ED1 SGV	<b>85,79</b>
		Design 1, acciaio inossidabile V4A, con viti	10 x 10	KD R10 V4A D1 SGV	<b>104,11</b>
		Design 1, acciaio inossidabile lucidato a specchio, con viti di fissaggio	10 x 10	KD R10 EPD1 SGV	<b>91,98</b>
		Design 1, acciaio inossidabile	10 x 10	KD R10 ED1 GV	<b>85,79</b>
		Design 1, acciaio inossidabile effetto bronzo anticato lucido, con viti	10 x 10	KD R10 EOB D1 SGV	<b>116,58</b>
		Design 2, acciaio inossidabile spazzolato	10 x 10	KD R10 ED2 GV	<b>145,76</b>
		Design 3, acciaio inossidabile spazzolato	10 x 10	KD R10 ED3 GV	<b>145,76</b>
		Design 4, griglia rivestibile a scomparsa	10 x 10	KD R10 ED4 GV	<b>85,79</b>
		Design 5, acciaio inossidabile spazzolato	10 x 10	KD IF 10 EB D5 GV	<b>143,62</b>
		Design 6, acciaio inossidabile spazzolato	10 x 10	KD IF 10 EB D6 GV	<b>143,62</b>
		Design 7, acciaio inossidabile spazzolato	10 x 10	KD IF 10 EB D7 GV	<b>146,53</b>

Cod. Art.	CHF / pz
KD BH 40	<b>83,29</b>

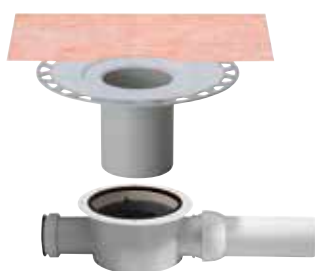

**DN 50**

Capacità di scarico: 0,6 l/s, Altezza costruttiva minima: 97 mm

Set di scarico	+	Set di griglie con telaio	L x B (cm)	Cod. Art.	CHF / pz	
		Design 1, acciaio inossidabile, con viti	10 x 10	KD R10 ED1 S	<b>73,29</b>	
		Design 1, acciaio inossidabile V4A, con viti	10 x 10	KD R10 V4A D1 S	<b>91,60</b>	
		Design 1, acciaio inossidabile lucidato a specchio, con viti di fissaggio	10 x 10	KD R10 EPD1 S	<b>78,56</b>	
		Design 1, acciaio inossidabile	10 x 10	KD R10 ED1	<b>73,29</b>	
		Design 1, acciaio inossidabile effetto bronzo anticato lucido, con viti	10 x 10	KD R10 EOB D1 S	<b>104,11</b>	
		Design 1, acciaio inossidabile, con viti	15 x 15	KD R15 ED1 S	<b>99,94</b>	
		Design 1, acciaio inossidabile, con viti (rotondo)	15 x 15	KD R15 ED1 SR	<b>99,94</b>	
		Design 2, acciaio inossidabile spazzolato	10 x 10	KD R10 ED2	<b>133,26</b>	
		Design 3, acciaio inossidabile spazzolato	10 x 10	KD R10 ED3	<b>133,26</b>	
		Design 4, griglia rivestibile a scomparsa	10 x 10	KD R10 ED4	<b>73,29</b>	
		Design 5, acciaio inossidabile spazzolato	10 x 10	KD IF 10 EB D5	<b>130,50</b>	
		Design 6, acciaio inossidabile spazzolato	10 x 10	KD IF 10 EB D6	<b>130,50</b>	
			Design 7, acciaio inossidabile spazzolato	10 x 10	KD IF 10 EB D7	<b>133,42</b>

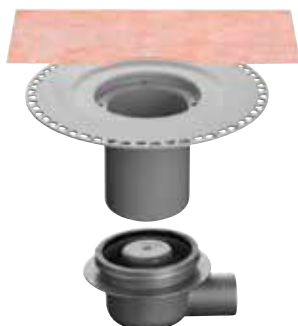
  

Cod. Art.	CHF / pz
KD BH 50 GV	<b>124,92</b>


**DN 50/70**

Capacità di scarico: 0,8 l/s, Altezza costruttiva minima: 115 mm

Set di scarico	+	Set di griglie con telaio	L x B (cm)	Cod. Art.	CHF / pz
		Design 1, acciaio inossidabile, con viti	15 x 15	KD R15 ED1 SB	<b>89,18</b>



Cod. Art.	CHF / pz
KD BH 5070 GVB	<b>133,98</b>

P = 10 pezzi



# Schlüter®-KERDI-DRAIN

Scarico verticale con sifone

Scarico puntuale per interni

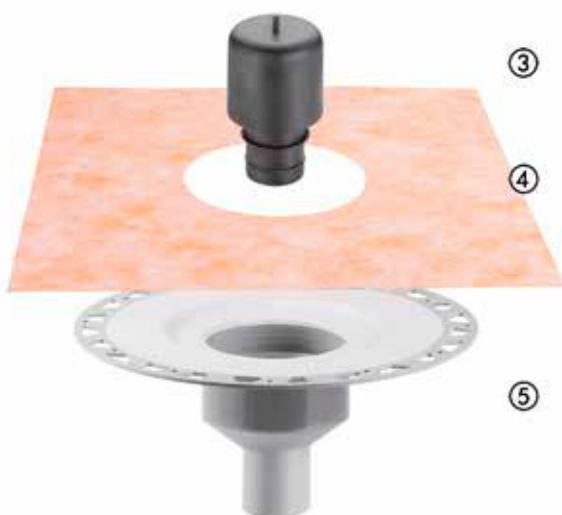


①

②

## Set di griglie con telaio

- ① Griglia in acciaio inossidabile con supporto
- ② Collare per la regolazione dell'altezza



③

④

⑤

## Set di scarico

- ③ Sifone ispezionabile in due parti
- ④ Tassello Schlüter-KERDI
- ⑤ Scarico a pavimento per posa a letto sottile

### Nota:

Il set di scarico a pavimento e il set griglia/cornice devono essere ordinati singolarmente.

Caratteristiche delle griglie – Sifone antiodore incluso nel kit di scarico



Ad eccezione della griglia a scomparsa KD R10 ED4 tutte le griglie dispongono di una prolunga e di un collare per la regolazione dell'altezza. Queste griglie non sono sifonate; il relativo sifone è integrato nel corpo di scarico. Tutte le griglie sono provviste di filtro di protezione ad eccezione di KD R10 ED4, KD R15 ED1 S, KD R15 ED1 SB e KD R15 ED1 SR.



Design griglie



Design 1  
CLASSIC



Design 1  
CLASSIC  
ROUND



Design 2  
TRAPEZOID



Design 3  
SQUARE



Design 4  
TILE



Design 5  
FLORAL



Design 6  
CURVE



Design 7  
PURE

**DN 50**

Capacità di scarico: 0,6 l/s

Set di scarico



Cod. Art.	CHF / pz
KD BV 50 GV	93,26

+	Set di griglie con telaio	L x B (cm)	Cod. Art.	CHF / pz
	Design 1, acciaio inossidabile, con viti	10 x 10	KD R10 ED1 S	73,29
	Design 1, acciaio inossidabile V4A, con viti	10 x 10	KD R10 V4A D1 S	91,60
	Design 1, acciaio inossidabile lucidato a specchio, con viti di fissaggio	10 x 10	KD R10 EPD1 S	78,56
	Design 1, acciaio inossidabile	10 x 10	KD R10 ED1	73,29
	Design 1, acciaio inossidabile effetto bronzo anticato lucido, con viti	10 x 10	KD R10 EOB D1 S	104,11
	Design 1, acciaio inossidabile, con viti	15 x 15	KD R15 ED1 S	99,94
	Design 1, acciaio inossidabile, con viti (rotondo)	15 x 15	KD R15 ED1 SR	99,94
	Design 2, acciaio inossidabile spazzolato	10 x 10	KD R10 ED2	133,26
	Design 3, acciaio inossidabile spazzolato	10 x 10	KD R10 ED3	133,26
	Design 4, griglia rivestibile a scomparsa	10 x 10	KD R10 ED4	73,29
	Design 5, acciaio inossidabile spazzolato	10 x 10	KD IF 10 EB D5	130,50
	Design 6, acciaio inossidabile spazzolato	10 x 10	KD IF 10 EB D6	130,50
	Design 7, acciaio inossidabile spazzolato	10 x 10	KD IF 10 EB D7	133,42

**DN 50**

Capacità di scarico: 0,6 l/s

Set di scarico



Cod. Art.	CHF / pz
KD BV 50 GVB	133,98

+	Set di griglie con telaio	L x B (cm)	Cod. Art.	CHF / pz
	Design 1, acciaio inossidabile, con viti	10 x 10	KD R10 ED1 S	73,29
	Design 1, acciaio inossidabile V4A, con viti	10 x 10	KD R10 V4A D1 S	91,60
	Design 1, acciaio inossidabile lucidato a specchio, con viti di fissaggio	10 x 10	KD R10 EPD1 S	78,56
	Design 1, acciaio inossidabile	10 x 10	KD R10 ED1	73,29
	Design 1, acciaio inossidabile effetto bronzo anticato lucido, con viti	10 x 10	KD R10 EOB D1 S	104,11
	Design 2, acciaio inossidabile spazzolato	10 x 10	KD R10 ED2	133,26
	Design 3, acciaio inossidabile spazzolato	10 x 10	KD R10 ED3	133,26
	Design 4, griglia rivestibile a scomparsa	10 x 10	KD R10 ED4	73,29
	Design 5, acciaio inossidabile spazzolato	10 x 10	KD IF 10 EB D5	130,50
	Design 6, acciaio inossidabile spazzolato	10 x 10	KD IF 10 EB D6	130,50
	Design 7, acciaio inossidabile spazzolato	10 x 10	KD IF 10 EB D7	133,42

**DN 50**

Capacità di scarico: 1,8 l/s

Set di scarico



Cod. Art.	CHF / pz
KD BAV 50 GVB	142,40

+	Set di griglie con telaio	L x B (cm)	Cod. Art.	CHF / pz
	Design 1, acciaio inossidabile, con viti	15 x 15	KD R15 ED1 SB	89,18

P = 10 pezzi



# Schlüter®-KERDI-DRAIN

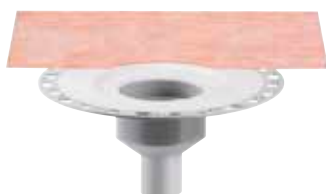
## Scarico verticale con sifone

### Scarico puntuale per interni

#### DN 50

Capacità di scarico: 0,6 l/s

Set di scarico



Cod. Art.	CHF / pz
KD BV 50	<b>69,95</b>

Set di griglie con telaio incl. sifone antiodore	L x B (cm)	Cod. Art.	CHF / pz
Design 1, acciaio inossidabile, con viti	10 x 10	KD R10 ED1 SGV	<b>85,79</b>
Design 1, acciaio inossidabile V4A, con viti	10 x 10	KD R10 V4A D1 SGV	<b>104,11</b>
Design 1, acciaio inossidabile lucidato a specchio, con viti di fissaggio	10 x 10	KD R10 EPD1 SGV	<b>91,98</b>
Design 1, acciaio inossidabile	10 x 10	KD R10 ED1 GV	<b>85,79</b>
Design 1, acciaio inossidabile effetto bronzo anticato lucido, con viti	10 x 10	KD R10 EOB D1 SGV	<b>116,58</b>
Design 2, acciaio inossidabile spazzolato	10 x 10	KD R10 ED2 GV	<b>145,76</b>
Design 3, acciaio inossidabile spazzolato	10 x 10	KD R10 ED3 GV	<b>145,76</b>
Design 4, griglia rivestibile a scomparsa	10 x 10	KD R10 ED4 GV	<b>85,79</b>
Design 5, acciaio inossidabile spazzolato	10 x 10	KD IF 10 EB D5 GV	<b>143,62</b>
Design 6, acciaio inossidabile spazzolato	10 x 10	KD IF 10 EB D6 GV	<b>143,62</b>
Design 7, acciaio inossidabile spazzolato	10 x 10	KD IF 10 EB D7 GV	<b>146,53</b>

#### DN 70

Capacità di scarico: 0,6 l/s

Set di scarico



Cod. Art.	CHF / pz
KD BV 70	<b>69,95</b>

Set di griglie con telaio incl. sifone antiodore	L x B (cm)	Cod. Art.	CHF / pz
Design 1, acciaio inossidabile, con viti	10 x 10	KD R10 ED1 SGV	<b>85,79</b>
Design 1, acciaio inossidabile V4A, con viti	10 x 10	KD R10 V4A D1 SGV	<b>104,11</b>
Design 1, acciaio inossidabile lucidato a specchio, con viti di fissaggio	10 x 10	KD R10 EPD1 SGV	<b>91,98</b>
Design 1, acciaio inossidabile	10 x 10	KD R10 ED1 GV	<b>85,79</b>
Design 1, acciaio inossidabile effetto bronzo anticato lucido, con viti	10 x 10	KD R10 EOB D1 SGV	<b>116,58</b>
Design 2, acciaio inossidabile spazzolato	10 x 10	KD R10 ED2 GV	<b>145,76</b>
Design 3, acciaio inossidabile spazzolato	10 x 10	KD R10 ED3 GV	<b>145,76</b>
Design 4, griglia rivestibile a scomparsa	10 x 10	KD R10 ED4 GV	<b>85,79</b>
Design 5, acciaio inossidabile spazzolato	10 x 10	KD IF 10 EB D5 GV	<b>143,62</b>
Design 6, acciaio inossidabile spazzolato	10 x 10	KD IF 10 EB D6 GV	<b>143,62</b>
Design 7, acciaio inossidabile spazzolato	10 x 10	KD IF 10 EB D7 GV	<b>146,53</b>

## DN 100

Capacità di scarico: 0,6 l/s

Set di scarico



Cod. Art.	CHF / pz
KD BV 100	<b>69,95</b>

Set di griglie con telaio incl. sifone antiodore	L x B (cm)	Cod. Art.	CHF / pz
Design 1, acciaio inossidabile, con viti	10 x 10	KD R10 ED1 SGV	<b>85,79</b>
Design 1, acciaio inossidabile V4A, con viti	10 x 10	KD R10 V4A D1 SGV	<b>104,11</b>
Design 1, acciaio inossidabile lucidato a specchio, con viti di fissaggio	10 x 10	KD R10 EPD1 SGV	<b>91,98</b>
Design 1, acciaio inossidabile	10 x 10	KD R10 ED1 GV	<b>85,79</b>
Design 1, acciaio inossidabile effetto bronzo anticato lucido, con viti	10 x 10	KD R10 EOB D1 SGV	<b>116,58</b>
Design 2, acciaio inossidabile spazzolato	10 x 10	KD R10 ED2 GV	<b>145,76</b>
Design 3, acciaio inossidabile spazzolato	10 x 10	KD R10 ED3 GV	<b>145,76</b>
Design 4, griglia rivestibile a scomparsa	10 x 10	KD R10 ED4 GV	<b>85,79</b>
Design 5, acciaio inossidabile spazzolato	10 x 10	KD IF 10 EB D5 GV	<b>143,62</b>
Design 6, acciaio inossidabile spazzolato	10 x 10	KD IF 10 EB D6 GV	<b>143,62</b>
Design 7, acciaio inossidabile spazzolato	10 x 10	KD IF 10 EB D7 GV	<b>146,53</b>

P = 10 pezzi

### Caratteristiche delle griglie – Sifone antiodore incluso nel kit griglia/cornice



Le griglie sono provviste di sifone e guarnizione a labbro.

### Design griglie



Design 1  
CLASSIC



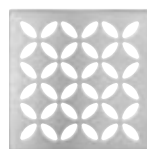
Design 2  
TRAPEZOID



Design 3  
SQUARE



Design 4  
TILE



Design 5  
FLORAL



Design 6  
CURVE



Design 7  
PURE

**i**  
KERDI-DRAIN da esterno è  
disponibile nella sezione  
Balconi e Terrazze dalla pag. 303!



## Sifone antiodore

### Schlüter®-KERDI-DRAIN-R 10 GT



Schlüter-KERDI-DRAIN-R 10 GT è un sifone antiodore a secco con valvola in silicone per scarichi puntuali 10 x 10 cm della gamma KERDI-DRAIN. Il suo utilizzo è particolarmente indicato per docce utilizzate in modo sporadico (come per esempio in case di vacanza) per evitare il rischio della formazione di cattivi odori da attendersi invece con tradizionali sifoni antiodore che si asciugano in prolungati periodi di mancato utilizzo. Con una buona capacità di scarico, 0,4 l/s, può comunque sostituire un sifone antiodore classico anche in normali situazioni di utilizzo quotidiano. (Scheda tecnica 8.2)

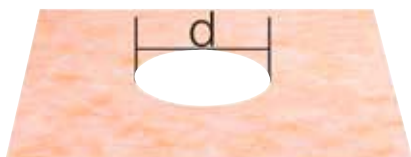
### Schlüter®-KERDI-DRAIN-R 10 GT

sifone antiodore

Cod. Art.	CHF / pz	crt. (pz.)
KD R10 GT	<b>39,38</b>	10

## Tassello di tenuta

### Schlüter®-KERDI-DRAIN-KD 10



KD 10 M



KD 10 MO 900 1800

### Schlüter®-KERDI-DRAIN-DR

tassello di tenuta -KERDI (d = 17,5 cm)

L x B (cm)	Cod. Art.	CHF / pz	crt. (pz.)
45 x 45	KD 10 M	<b>7,79</b>	10
90 x 90	KD 10 M 900	<b>31,43</b>	10
100 x 100	KD 10 M 1000	<b>34,96</b>	10
120 x 120	KD 10 M 1200	<b>43,22</b>	10
150 x 150	KD 10 M 1500	<b>58,38</b>	10

### Schlüter®-KERDI-DRAIN-DR

tassello di tenuta -KERDI per scarico decentrato

L x B (cm)	Cod. Art.	CHF / pz	crt. (pz.)
180 x 90	KD 10 MO 900 1800	<b>53,69</b>	10

## Corpo di scarico a pavimento

### Schlüter®-KERDI-DRAIN-BASE



Schlüter-KERDI-DRAIN-BASE è uno scarico da abbinare al set di scarico KD BV 100 e al set griglia/cornice con sifone antiodore e guarnizione a labbro. (Scheda tecnica 8.2)

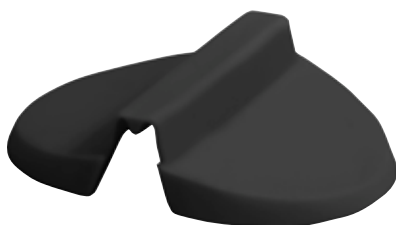
### Schlüter®-KERDI-DRAIN-BASE

corpo di scarico

DN (mm)	Cod. Art.	CHF / pz	crt. (pz.)
40	KD 10 BH 40/50	<b>45,81</b>	10

## Sifone antiodore

### Schlüter®-KERDI-LINE-GTM



Schlüter-KERDI-LINE-GTM è una valvola a secco di ricambio per Schlüter-KERDI-DRAIN-R10 GT e Schlüter-KERDI-LINE-GTO. (Scheda tecnica 8.7)

#### Schlüter®-KERDI-LINE-GTM

valvola a secco, ricambio

Cod. Art.	CHF / pz	crt. (pz.)
KL GTM	19,68	10

## Innesto antincendio

### Schlüter®-KERDI-DRAIN-BS



Schlüter-KERDI-DRAIN-BS è un innesto certificato per la protezione antincendio. Abbinato al set di scarico verticale a pavimento KD BAV 50 GVB impedisce il propagarsi di un eventuale incendio da un piano all'altro. (Scheda tecnica 8.2)

#### Schlüter®-KERDI-DRAIN-BS

innesto antincendio

Cod. Art.	CHF / pz	crt. (pz.)
KD BS	162,80	10

## Innesto antincendio

### Schlüter®-KERDI-DRAIN-ZBS



Schlüter-KERDI-DRAIN-ZBS è un innesto di chiusura per l'installazione interpiano con funzione di protezione antincendio. Abbinato al set di scarico a pavimento verticale KD BAV 50 GVB o in abbinamento alla soluzione lineare in acciaio inossidabile con scarico verticale KLV 50 G2, funge da barriera per il propagarsi interpiano di un incendio. Sostituisce la classica chiusura a malta di un foro passante di diametro 160 mm. Evita anche la creazione di ponti acustici. Per garantire una corretta protezione antincendio interpiano da installare sempre in abbinamento a KD BS o KL BS. (Scheda tecnica 8.2)

#### Schlüter®-KERDI-DRAIN-ZBS

guarnizione di passaggio con funzione di protezione antincendio

Cod. Art.	CHF / pz	crt. (pz.)
KD ZBS	194,05	10

## Filtro di protezione

### Schlüter®-KERDI-DRAIN-KD 10 SF



Schlüter-KERDI-DRAIN-KD 10 SF è un filtro di protezione dello scarico, che ne agevola la pulizia. (Scheda tecnica 8.2)

#### Schlüter®-KERDI-DRAIN-KD 10 SF

pezzo di ricambio: filtro di protezione

Cod. Art.	CHF / pz	crt. (pz.)
KD 10 SF	14,20	10



## Griglia per scarichi pre-esistenti

### Schlüter®-KERDI-DRAIN-R/-RL

Schlüter-KERDI-DRAIN-R/-RL sono griglie di ricambio, che nel caso di ristrutturazioni possono essere utilizzate su pavimenti in ceramica con scarichi preesistenti.

(Scheda tecnica 8.2)

#### Schlüter®-KERDI-DRAIN-R

griglia di ricambio 15 x 15 cm

Cod. Art.	CHF / pz	crt. (pz.)
KD 15 R	<b>110,95</b>	10

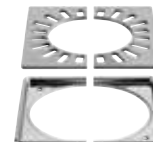


Griglie di ricambio che nel caso di ristrutturazioni possono essere utilizzate su pavimenti in ceramica con scarichi preesistenti.

#### Schlüter®-KERDI-DRAIN-RL

griglia di ricambio 15 x 15 cm pretagliata

Cod. Art.	CHF / pz	crt. (pz.)
KD 15 RL	<b>110,95</b>	10



Griglie di ricambio che nel caso di ristrutturazioni possono essere utilizzate su pavimenti in ceramica con scarichi preesistenti, collegate ad un tubo di scarico verticale.

## Griglia (senza cornice)

### Schlüter®-KERDI-DRAIN

Griglie senza cornice per ricambio in impianti esistenti.

(Scheda tecnica 8.2)

#### Schlüter®-KERDI-DRAIN griglie

pezzo di ricambio: griglie singole per cornice classica

L x B (cm)	Cod. Art.	CHF / pz	crt. (pz.)
10 x 10	KD GR 10 E D1 S	<b>48,31</b>	10
10 x 10	KD GR 10 V4A D1 S	<b>66,64</b>	10
10 x 10	KD GR 10 EP D1 S	<b>53,38</b>	10
10 x 10	KD GR 10 E D1	<b>48,31</b>	10
10 x 10	KD GR 10 E D2	<b>108,29</b>	10
10 x 10	KD GR 10 E D3	<b>108,29</b>	10
10 x 10	KD GR 10 E D4	<b>48,31</b>	10
15 x 15	KD GR 15 E D1 S	<b>74,95</b>	10
15 x 15	KD GR 15 E D1 SR	<b>74,95</b>	10

#### Schlüter®-KERDI-DRAIN-STYLE griglie

pezzo di ricambio: griglie singole per telaio sottile

L x B (cm)	Cod. Art.	CHF / pz	crt. (pz.)
10 x 10	KD GIF 10 EB D5	<b>108,63</b>	10
10 x 10	KD GIF 10 EB D6	<b>108,63</b>	10
10 x 10	KD GIF 10 EB D7	<b>111,55</b>	10

#### Nota:

Le griglie di ricambio sono compatibili solo coi rispettivi design della cornice.

L x B = cm indica le dimensioni della cornice



KD GR 10 E D1 S  
CLASSIC



KD GR 10 V4A D1 S  
CLASSIC



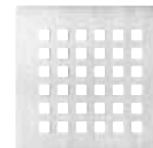
KD GR 10 EP D1 S  
CLASSIC



KD GR 10 E D1  
CLASSIC



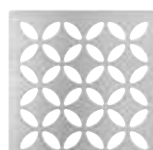
KD GR 10 E D2  
TRAPEZOID



KD GR 10 E D3  
SQUARE



KD GR 10 E D4  
TILE



KD GIF 10 EB D5  
FLORAL



KD GIF 10 EB D6  
CURVE



KD GIF 10 EB D7  
PURE



KD GR 15 E D1 S  
CLASSIC



KD GR 15 E D1 SR  
CLASSIC ROUND



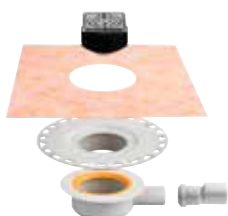
## Kit scarico puntuale per interni

### Schlüter®-KERDI-DRAIN Set

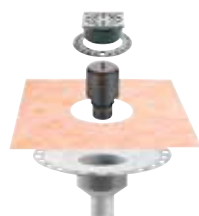


Schlüter-KERDI-DRAIN Set sono kit già completi di griglia per realizzare in interno un sistema di scarico a filo pavimento, predisposti per essere raccordati con la guaina Schlüter-KERDI o con altri sistemi d'impermeabilizzazione. Sono disponibili 3 diverse versioni.

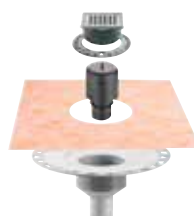
(Scheda tecnica 8.2)



KD 10H 40 GV ED1 S



KD 10V 50 GV ED1 S



KD 10V 50 GV ED3

### Schlüter®-KERDI-DRAIN Set

set completo per scarico orizzontale

Cod. Art.	CHF / kit	pal. (kit)
KD 10 H40 GV ED1 S	157,58	10

set completo per scarico verticale

Cod. Art.	CHF / kit	pal. (kit)
KD 10 V50 GV ED1 S	155,33	10
KD 10 V50 GV ED3	202,60	10

#### KD 10 H40 GV ED1 S contiene:

- scarico orizzontale per posa a letto sottile mod. Schlüter-KERDI-DRAIN-BASE DN 40/50 (capacità di scarico 0,4 l/s), altezza costruttiva minima 75 (70) mm
- griglia/cornice design CLASSIC in acciaio inossidabile formato 10 x 10 cm, con viti
- griglia con sifone integrato e guarnizione a labbro



#### KD 10 V50 GV ED1 S contiene:

- scarico verticale per posa a letto sottile mod. Schlüter-KERDI-DRAIN DN 50 (capacità di scarico 0,6 l/s)
- sifone integrato
- griglia/cornice design CLASSIC in acciaio inossidabile formato 10 x 10 cm, con viti
- con prolunga, collare per la regolazione dell'altezza e filtro di protezione



#### KD 10 V50 GV ED3 contiene:

- scarico verticale per posa a letto sottile mod. Schlüter-KERDI-DRAIN DN 50 (capacità di scarico 0,6 l/s)
- sifone integrato
- griglia/cornice design SQUARE in acciaio inossidabile formato 10 x 10 cm, con viti
- con prolunga, collare per la regolazione dell'altezza e filtro di protezione





## Kit scarico puntuale per interni

### Schlüter®-KERDI-SHOWER-SK/-SKB



Schlüter-KERDI-SHOWER-SK è un kit completo per l'impermeabilizzazione di docce a filo pavimento. Nella confezione sono inclusi: Schlüter-KERDI (guaina per l'impermeabilizzazione delle pareti nella zona doccia) e pezzi speciali per l'impermeabilizzazione di punti critici come angoli e tubature. La fornitura comprende anche Schlüter-KERDI-KEBA (fascetta sigillante per le giunzioni tra teli) e Schlüter-KERDI-COLL (collante bicomponente per sigillature). La versione Schlüter-KERDI-SHOWER-SKB contiene, inoltre, un elemento di scarico ad ingombro ridotto mod. Schlüter-KERDI-DRAIN-BASE. KERDI-SHOWER-SK può essere utilizzato per docce a filo pavimento realizzate in modo tradizionale, in opera, oppure in combinazione con i pannelli pendenziati Schlüter-KERDI-SHOWER-LT, -LTS, -T, -TS e -TT. (Scheda tecnica 8.6)

#### Schlüter®-KERDI-SHOWER-SK

kit per l'impermeabilizzazione

L x B (cm)	Cod. Art.	CHF / kit	pal. (kit)
90 x 90 / 100 x 100	KSS 5	<b>237,37</b>	9
120 x 120 / 150 x 150	KSS 10	<b>413,97</b>	9

##### Contenuto kit Schlüter-KERDI-SHOWER-SK (KSS 5):

- 1 pz. Schlüter-KERDI 200, 1 m x 5 m
- 2 pz. Schlüter-KERDI-KERECK-F/I
- 1 pz. Schlüter-KERDI-KEBA, 12,5 cm x 10 m
- 1 pz. Schlüter-KERDI-COLL-L, 1,85 kg
- 2 pz. Schlüter-KERDI-KM, Ø 150 mm

##### Contenuto kit Schlüter-KERDI-SHOWER-SK (KSS 10):

- 1 pz. Schlüter-KERDI 200, 1 m x 10 m
- 2 pz. Schlüter-KERDI-KERECK-F/I
- 1 pz. Schlüter-KERDI-KEBA, 12,5 cm x 12,5 m
- 1 pz. Schlüter-KERDI-COLL-L, 4,25 kg
- 2 pz. Schlüter-KERDI-KM, Ø 150 mm

#### Schlüter®-KERDI-SHOWER-SKB

kit di impermeabilizzazione con scarico a pavimento

L x B (cm)	Cod. Art.	CHF / kit	pal. (kit)
90 x 90 / 100 x 100	KSS 5 KD10 EH 40	<b>403,92</b>	9
120 x 120 / 150 x 150	KSS 10 KD10 EH 40	<b>582,16</b>	9

##### Contenuto kit Schlüter-KERDI-SHOWER-SKB (KSS 5 KD10 EH 40):

- 1 pz. Schlüter-KERDI 200, 1 m x 5 m
- 2 pz. Schlüter-KERDI-KERECK-F/I
- 1 pz. Schlüter-KERDI-KEBA, 12,5 cm x 10 m
- 1 pz. Schlüter-KERDI-COLL-L, 1,85 kg
- 2 pz. Schlüter-KERDI-KM, Ø 150 mm
- 1 set Schlüter-KERDI-DRAIN-BASE è composto da: kit di scarico "KD BH 40" e griglia "KD R10 ED1 SGV"

##### Contenuto kit Schlüter-KERDI-SHOWER-SKB (KSS 10 KD10 EH 40):

- 1 pz. Schlüter-KERDI 200, 1 m x 10 m
- 2 pz. Schlüter-KERDI-KERECK-F/I
- 1 pz. Schlüter-KERDI-KEBA, 12,5 cm x 12,5 m
- 1 pz. Schlüter-KERDI-COLL-L, 4,25 kg
- 2 pz. Schlüter-KERDI-KM, Ø 150 mm
- 1 set Schlüter-KERDI-DRAIN-BASE è composto da: kit di scarico "KD BH 40" e griglia "KD R10 ED1 SGV"

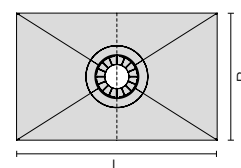
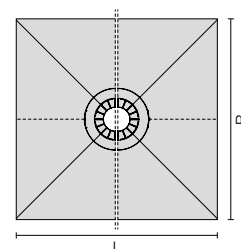
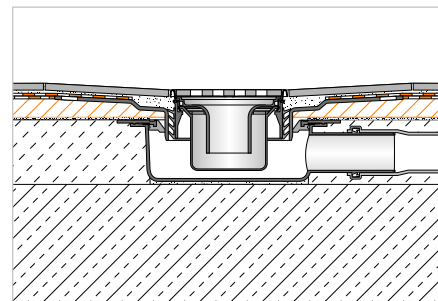
## Pannello pendenziato

### Schlüter®-KERDI-SHOWER-T



Schlüter-KERDI-SHOWER-T è un pannello pendenziato in polistirolo resistente, già dotato di uno strato di guaina impermeabilizzante Schlüter-KERDI. Nelle docce a filo pavimento forma una pendenza perfetta per uno scarico puntuale centrale. Il pannello è predisposto per l'installazione con il sistema di scarico Schlüter-KERDI-DRAIN. Il pannello pendenziato viene incollato su un sottofondo precedentemente livellato in altezza già predisposto per lo scarico KERDI-DRAIN. E' possibile tagliare il pannello nella misura desiderata utilizzando un taglierino e seguendo le scanalature presenti sullo stesso.

(Scheda tecnica 8.6)



### Schlüter®-KERDI-SHOWER-T

pannello pendenziato per scarico centrale

L x B (cm)	H (mm)	Pendenza (%)	Cod. Art.	CHF / pz	crt. (pz.)
152 x 152	30	2	KST 1525	<b>295,76</b>	10
183 x 183	32	2	KST 1830	<b>316,89</b>	10
152 x 96	29	2	KST 965 / 1525	<b>239,43</b>	10
152 x 122	28	2	KST 1220 / 1525	<b>246,48</b>	10
183 x 122	32	2	KST 1220 / 1830	<b>267,59</b>	10

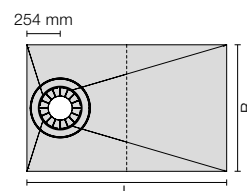
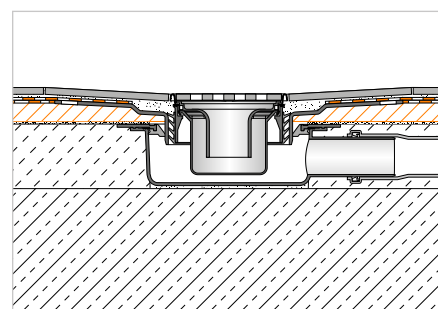
## Pannello pendenziato

### Schlüter®-KERDI-SHOWER-TS



Schlüter-KERDI-SHOWER-TS è un pannello pendenziato in polistirolo resistente dotato di uno strato di guaina impermeabilizzante Schlüter-KERDI. Nelle docce a filo pavimento forma una pendenza perfetta per uno scarico puntuale decentrato. Il pannello è predisposto per l'installazione con il sistema di scarico Schlüter-KERDI-DRAIN. Il pannello pendenziato viene incollato su un sottofondo precedentemente livellato in altezza già predisposto per lo scarico KERDI-DRAIN. E' possibile tagliare il pannello nella misura desiderata utilizzando un taglierino e seguendo le scanalature presenti sullo stesso.

(Scheda tecnica 8.6)



### Schlüter®-KERDI-SHOWER-TS

pannello pendenziato per scarico decentrato

L x B (cm)	H (mm)	Pendenza (%)	Cod. Art.	CHF / pz	crt. (pz.)
152 x 96	28	1	KST 965 / 1525 S	<b>218,30</b>	10



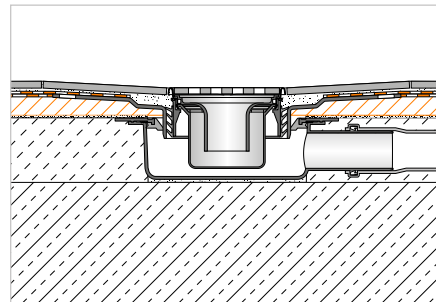
## Pannello pendenziato

### Schlüter®-KERDI-SHOWER-TT



Schlüter-KERDI-SHOWER-TT è un pannello pendenziato in polistirolo resistente, già dotato di uno strato di guaina impermeabilizzante Schlüter-KERDI. Nelle docce a filo pavimento forma una pendenza perfetta per uno scarico puntuale centrale o decentrato. Il pannello è predisposto per l'installazione con il sistema di scarico Schlüter-KERDI-DRAIN. Il pannello pendenziato viene incollato su un sottofondo precedentemente livellato in altezza già predisposto per lo scarico KERDI-DRAIN. E' possibile tagliare il pannello nella misura desiderata utilizzando un taglierino e seguendo le scanalature presenti sullo stesso.

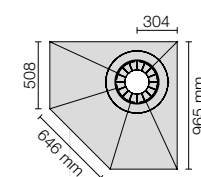
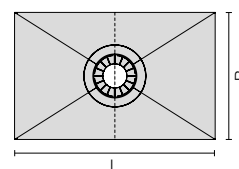
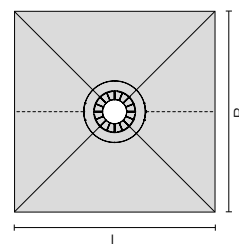
(Scheda tecnica 8.6)



### Schlüter®-KERDI-SHOWER-TT

pannello pendenziato per scarico centrale

L x B (cm)	H (mm)	Pendenza (%)	Cod. Art.	CHF / pz	crt. (pz.)
91 x 91	22	2	KST 915 BF	<b>154,92</b>	10
101 x 101	23	2	KST 1015 BF	<b>169,01</b>	10
122 x 122	25	2	KST 1220 BF	<b>218,30</b>	10
96 x 81	23	2	KST 965 / 810 BF	<b>246,48</b>	10
122 x 91	25	2	KST 915 / 1220 BF	<b>260,57</b>	10



### Schlüter®-KERDI-SHOWER-TT

pannello pendenziato per scarico decentrato

L x B (cm)	H (mm)	Pendenza (%)	Cod. Art.	CHF / pz	crt. (pz.)
96 x 96	26	2	KST 965 NA / BF	<b>246,48</b>	10

# Schlüter®-SHELF

Belle, robuste e facili da installare

Per la Vostra doccia, ma non solo! Schlüter-SHELF si rende utile per tanti utilizzi! Le nuove mensole con gli eleganti design STYLE, sono installabili durante o anche dopo la posa del rivestimento, ed offrono una pratica ed elegante superficie di appoggio.

- ✓ Acciaio inossidabile spazzolato oppure alluminio con pregiata e resistente finitura TRENDLINE
- ✓ A scelta cinque eleganti moderni design: FLORAL, CURVE, PURE, SQUARE e WAVE
- ✓ Cinque diversi formati



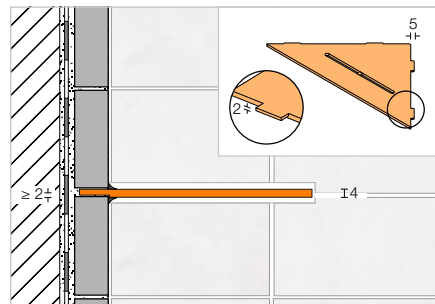


## Mensole

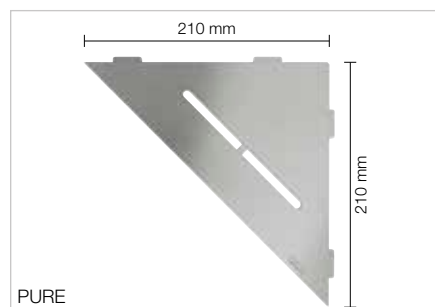
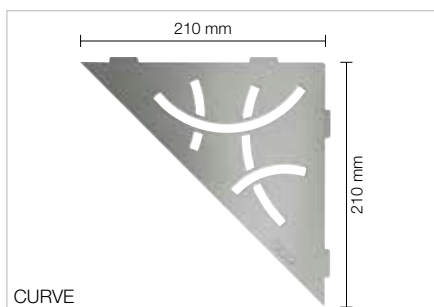
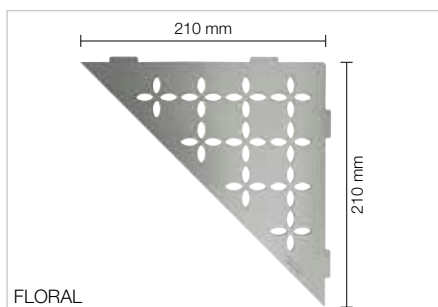
### Schlüter®-SHELF-E-S1



Schlüter-SHELF-E-S1 sono mensole triangolari per l'installazione ad angolo. Sono disponibili nei design FLORAL, CURVE, PURE, SQUARE e WAVE in acciaio inossidabile spazzolato ed in alluminio con pregiata finitura TRENDLINE. Le mensole possono essere installate con le alette spesse 2 mm nella fuga del rivestimento contemporaneamente alla posa oppure inserite a posa rivestimento ultimata. SHELF-E-S1 sono mensole utili nel vano doccia, ma comode anche in cucina. (Scheda tecnica 17.1)



**i**  
Anche per installazione successiva alla posa delle piastrelle



#### Schlüter®-SHELF-E-S1-EB

mensola, Design FLORAL, acciaio inossidabile spazzolato

Cod. Art.	CHF / pz	crt. (pz.)
SE S1 D5 EB	124,59	10

#### Schlüter®-SHELF-E-S1-EB

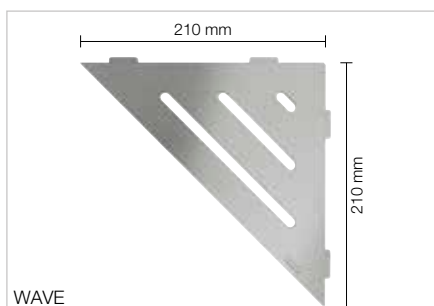
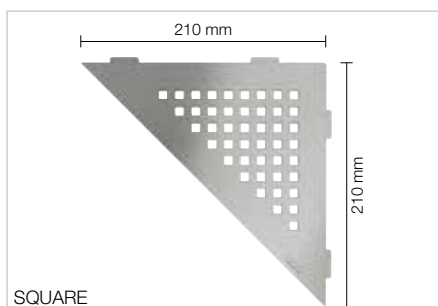
mensola, Design CURVE, acciaio inossidabile spazzolato

Cod. Art.	CHF / pz	crt. (pz.)
SE S1 D6 EB	117,25	10

#### Schlüter®-SHELF-E-S1-EB

mensola, Design PURE, acciaio inossidabile spazzolato

Cod. Art.	CHF / pz	crt. (pz.)
SE S1 D7 EB	123,04	10



#### Schlüter®-SHELF-E-S1-EB

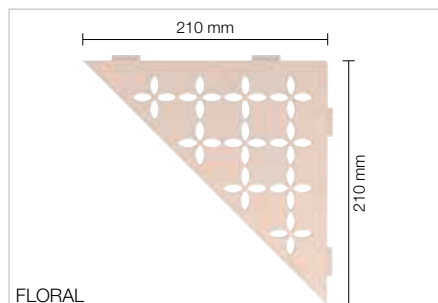
mensola, Design SQUARE, acciaio inossidabile spazzolato

Cod. Art.	CHF / pz	crt. (pz.)
SE S1 D3 EB	123,04	10

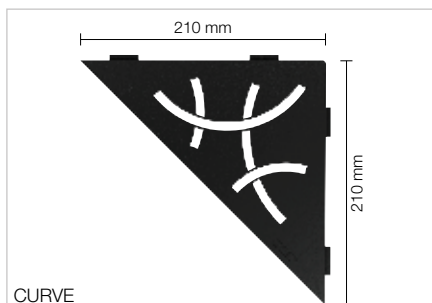
#### Schlüter®-SHELF-E-S1-EB

mensola, Design WAVE, acciaio inossidabile spazzolato

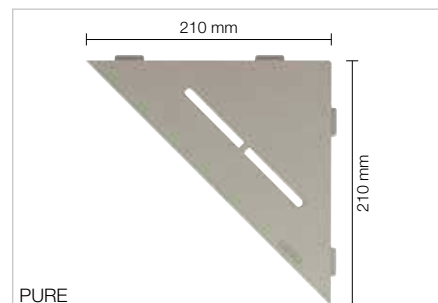
Cod. Art.	CHF / pz	crt. (pz.)
SE S1 D10 EB	123,04	10



FLORAL



CURVE



PURE

### Schlüter®-SHELF-E-S1-AC

mensola, Design FLORAL,  
alluminio colorato

Cod. Art.	CHF / pz	crt. (pz.)
SE S1 D5 ...*	91,26	10

### Schlüter®-SHELF-E-S1-AC

mensola, Design CURVE,  
alluminio colorato

Cod. Art.	CHF / pz	crt. (pz.)
SE S1 D6 ...*	84,14	10

### Schlüter®-SHELF-E-S1-AC

mensola, Design PURE,  
alluminio colorato

Cod. Art.	CHF / pz	crt. (pz.)
SE S1 D7 ...*	93,65	10

### Schlüter®-SHELF-E-S1-TS

mensola, Design FLORAL,  
alluminio con finitura a rilievo TRENDAINE

Cod. Art.	CHF / pz	crt. (pz.)
SE S1 D5 ...**	99,81	10

### Schlüter®-SHELF-E-S1-TS

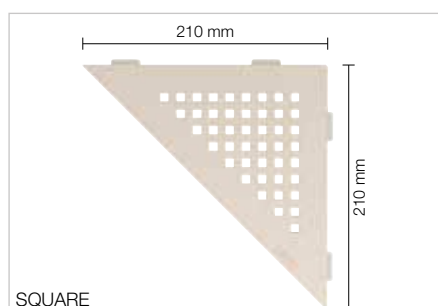
mensola, Design CURVE,  
alluminio con finitura a rilievo TRENDAINE

Cod. Art.	CHF / pz	crt. (pz.)
SE S1 D6 ...**	92,69	10

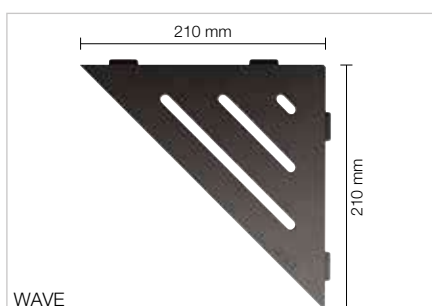
### Schlüter®-SHELF-E-S1-TS

mensola, Design PURE,  
alluminio con finitura a rilievo TRENDAINE

Cod. Art.	CHF / pz	crt. (pz.)
SE S1 D7 ...**	100,72	10



SQUARE



WAVE

### Schlüter®-SHELF-E-S1-AC

mensola, Design SQUARE,  
alluminio colorato

Cod. Art.	CHF / pz	crt. (pz.)
SE S1 D3 ...*	93,65	10

### Schlüter®-SHELF-E-S1-AC

mensola, Design WAVE,  
alluminio colorato

Cod. Art.	CHF / pz	crt. (pz.)
SE S1 D10 ...*	93,65	10

### Schlüter®-SHELF-E-S1-TS

mensola, Design SQUARE,  
alluminio con finitura a rilievo TRENDAINE

Cod. Art.	CHF / pz	crt. (pz.)
SE S1 D3 ...**	100,72	10

### Schlüter®-SHELF-E-S1-TS

mensola, Design WAVE,  
alluminio con finitura a rilievo TRENDAINE

Cod. Art.	CHF / pz	crt. (pz.)
SE S1 D10 ...**	100,72	10

**MyDesign by Schlüter-Systems**  
E' possibile personalizzare il colore  
scegliendo tra 190 tonalità  
della gamma RAL Classic.  
Per maggiori dettagli consultare pag. 16.

Completare il Cod. Art. con finitura/colore  
(ad es. SE S1 D10 TSG)

\* Finiture/colori: MBW - MGS

\*\* Finiture/colori:

TSBG - TSC - TSDA - TSG - TSI - TSOB - TSSG

## Finiture | Colori disponibili



**i**  
Ora disponibile anche in TSG  
(grigio con finitura a rilievo)!

A pagina 340 e segg. è disponibile una panoramica delle finiture e dei colori.



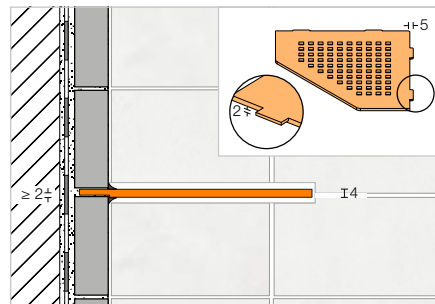
## Mensole

### Schlüter®-SHELF-E-S2

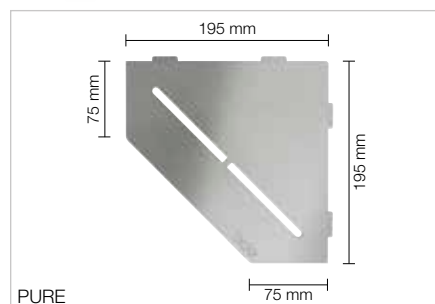
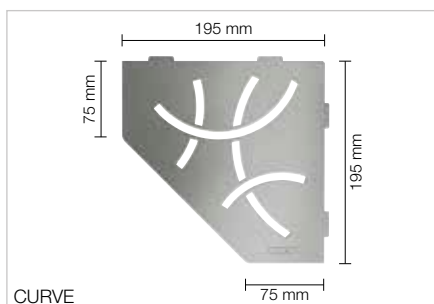
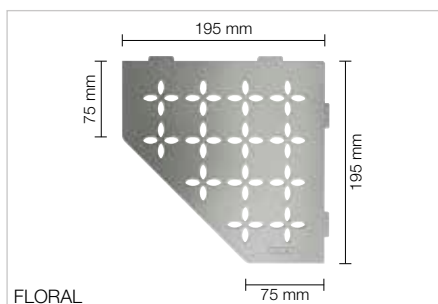


Schlüter-SHELF-E-S2 sono mensole di forma pentagonale per l'installazione ad angolo. Sono disponibili nei design FLORAL, CURVE, PURE, SQUARE e WAVE in acciaio inossidabile spazzolato ed in alluminio con pregiata finitura TRENDLINE. Le mensole possono essere installate con le alette spesse 2 mm nella fuga del rivestimento contemporaneamente alla posa oppure inserite a posa rivestimento ultimata. SHELF-E-S2 sono mensole utili nel vano doccia, ma comode anche in cucina.

(Scheda tecnica 17.1)



**i**  
Anche per installazione successiva alla posa delle piastrelle



#### Schlüter®-SHELF-E-S2-EB

mensola, Design FLORAL, acciaio inossidabile spazzolato

Cod. Art.	CHF / pz	crt. (pz.)
SE S2 D5 EB	131,92	10

#### Schlüter®-SHELF-E-S2-EB

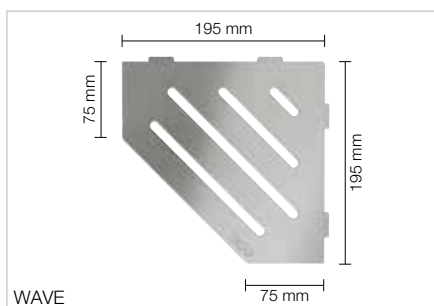
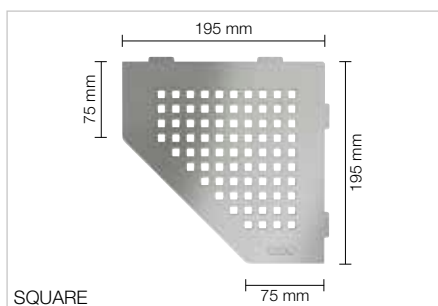
mensola, Design CURVE, acciaio inossidabile spazzolato

Cod. Art.	CHF / pz	crt. (pz.)
SE S2 D6 EB	124,59	10

#### Schlüter®-SHELF-E-S2-EB

mensola, Design PURE, acciaio inossidabile spazzolato

Cod. Art.	CHF / pz	crt. (pz.)
SE S2 D7 EB	130,28	10



#### Schlüter®-SHELF-E-S2-EB

mensola, Design SQUARE, acciaio inossidabile spazzolato

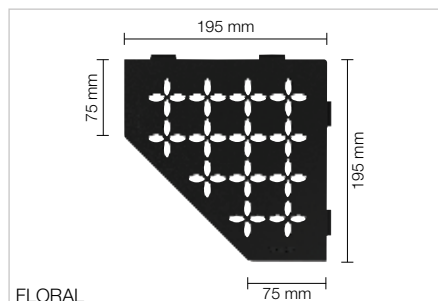
Cod. Art.	CHF / pz	crt. (pz.)
SE S2 D3 EB	130,28	10

#### Schlüter®-SHELF-E-S2-EB

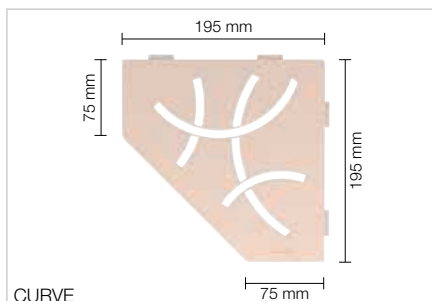
mensola, Design WAVE, acciaio inossidabile spazzolato

Cod. Art.	CHF / pz	crt. (pz.)
SE S2 D10 EB	130,28	10

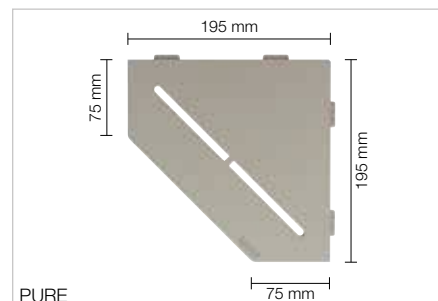




FLORAL



CURVE



PURE

### Schlüter®-SHELF-E-S2-AC

mensola, Design FLORAL,  
alluminio colorato

Cod. Art.	CHF / pz	crt. (pz.)
SE S2 D5 ...*	<b>94,83</b>	10

### Schlüter®-SHELF-E-S2-AC

mensola, Design CURVE,  
alluminio colorato

Cod. Art.	CHF / pz	crt. (pz.)
SE S2 D6 ...*	<b>89,13</b>	10

### Schlüter®-SHELF-E-S2-AC

mensola, Design PURE,  
alluminio colorato

Cod. Art.	CHF / pz	crt. (pz.)
SE S2 D7 ...*	<b>95,07</b>	10

### Schlüter®-SHELF-E-S2-TS

mensola, Design FLORAL,  
alluminio con finitura a rilievo TRENDLINE

Cod. Art.	CHF / pz	crt. (pz.)
SE S2 D5 ...**	<b>103,39</b>	10

### Schlüter®-SHELF-E-S2-TS

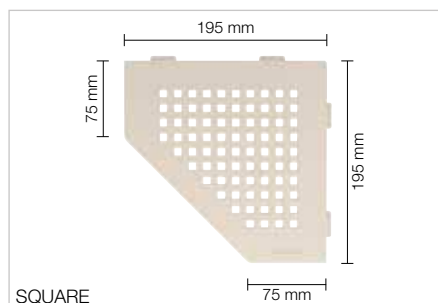
mensola, Design CURVE,  
alluminio con finitura a rilievo TRENDLINE

Cod. Art.	CHF / pz	crt. (pz.)
SE S2 D6 ...**	<b>97,67</b>	10

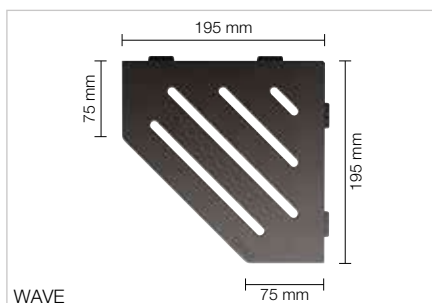
### Schlüter®-SHELF-E-S2-TS

mensola, Design PURE,  
alluminio con finitura a rilievo TRENDLINE

Cod. Art.	CHF / pz	crt. (pz.)
SE S2 D7 ...**	<b>103,53</b>	10



SQUARE



WAVE

### Schlüter®-SHELF-E-S2-AC

mensola, Design SQUARE,  
alluminio colorato

Cod. Art.	CHF / pz	crt. (pz.)
SE S2 D3 ...*	<b>95,07</b>	10

### Schlüter®-SHELF-E-S2-AC

mensola, Design WAVE,  
alluminio colorato

Cod. Art.	CHF / pz	crt. (pz.)
SE S2 D10 ...*	<b>95,07</b>	10

### Schlüter®-SHELF-E-S2-TS

mensola, Design SQUARE,  
alluminio con finitura a rilievo TRENDLINE

Cod. Art.	CHF / pz	crt. (pz.)
SE S2 D3 ...**	<b>103,53</b>	10

### Schlüter®-SHELF-E-S2-TS

mensola, Design WAVE,  
alluminio con finitura a rilievo TRENDLINE

Cod. Art.	CHF / pz	crt. (pz.)
SE S2 D10 ...**	<b>103,53</b>	10

**MyDesign by Schlüter-Systems**  
E' possibile personalizzare il colore  
scegliendo tra 190 tonalità  
della gamma RAL Classic.  
Per maggiori dettagli consultare pag. 16.

Completare il Cod. Art. con finitura/colore  
(ad es. SE S2 D10 TSG)

\* Finiture/colori: MBW - MGS

\*\* Finiture/colori:

TSBG - TSC - TSDA - TSG - TSI - TSOB - TSSG

## Finiture | Colori disponibili



**i**  
Ora disponibile anche in TSG  
(grigio con finitura a rilievo!)

A pagina 340 e segg. è disponibile una panoramica delle finiture e dei colori.



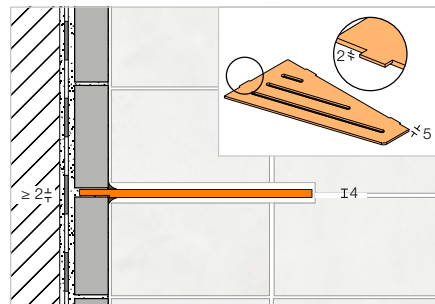
## Mensole

### Schlüter®-SHELF-E-S3

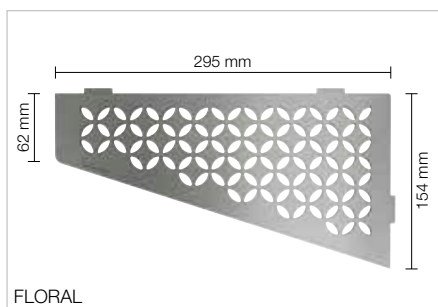


Schlüter-SHELF-E-S3 sono mensole di forma trapezoidale per l'installazione ad angolo. Sono disponibili nei design FLORAL, CURVE, PURE, SQUARE e WAVE in acciaio inossidabile spazzolato ed in alluminio con pregiata finitura TRENDLINE. Le mensole possono essere installate con le alette spesse 2 mm nella fuga del rivestimento contemporaneamente alla posa oppure inserite a posa rivestimento ultimata. SHELF-E-S3 sono mensole utili nel vano doccia, ma comode anche in cucina.

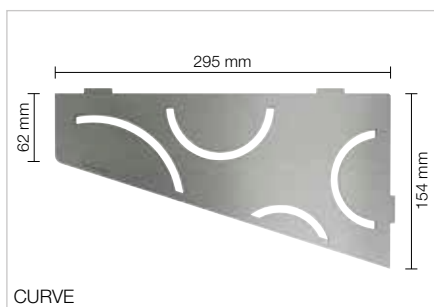
(Scheda tecnica 17.1)



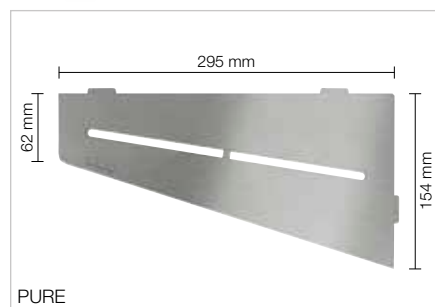
**i**  
Anche per installazione successiva alla posa delle piastrelle



FLORAL



CURVE



PURE

#### Schlüter®-SHELF-E-S3-EB

mensola, Design FLORAL, acciaio inossidabile spazzolato

Cod. Art.	CHF / pz	crt. (pz.)
SE S3 D5 EB	139,24	10

#### Schlüter®-SHELF-E-S3-EB

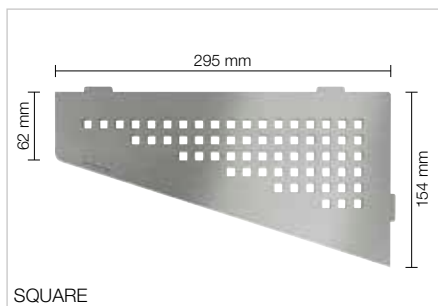
mensola, Design CURVE, acciaio inossidabile spazzolato

Cod. Art.	CHF / pz	crt. (pz.)
SE S3 D6 EB	131,92	10

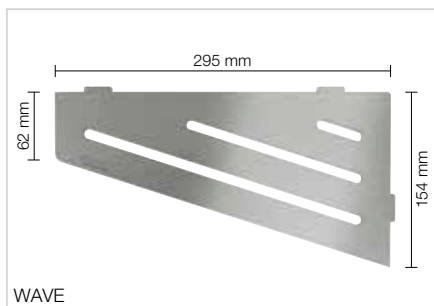
#### Schlüter®-SHELF-E-S3-EB

mensola, Design PURE, acciaio inossidabile spazzolato

Cod. Art.	CHF / pz	crt. (pz.)
SE S3 D7 EB	137,52	10



SQUARE



WAVE

#### Schlüter®-SHELF-E-S3-EB

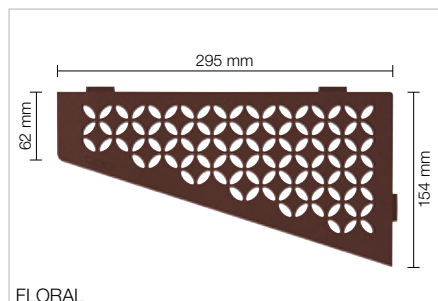
mensola, Design SQUARE, acciaio inossidabile spazzolato

Cod. Art.	CHF / pz	crt. (pz.)
SE S3 D3 EB	137,52	10

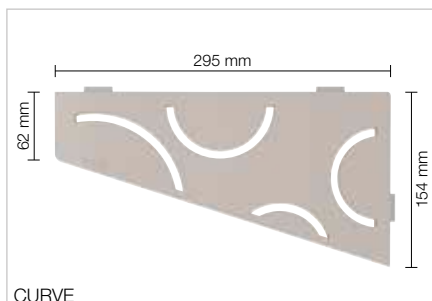
#### Schlüter®-SHELF-E-S3-EB

mensola, Design WAVE, acciaio inossidabile spazzolato

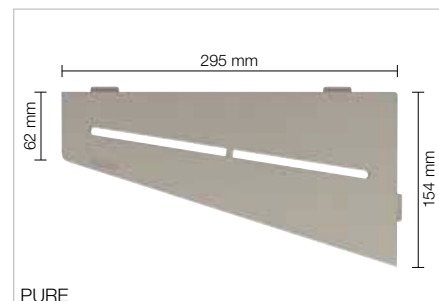
Cod. Art.	CHF / pz	crt. (pz.)
SE S3 D10 EB	137,52	10



FLORAL



CURVE



PURE

### Schlüter®-SHELF-E-S3-AC

mensola, Design FLORAL,  
alluminio colorato

Cod. Art.	CHF / pz	crt. (pz.)
SE S3 D5 ...*	98,41	10

### Schlüter®-SHELF-E-S3-AC

mensola, Design CURVE,  
alluminio colorato

Cod. Art.	CHF / pz	crt. (pz.)
SE S3 D6 ...*	91,26	10

### Schlüter®-SHELF-E-S3-AC

mensola, Design PURE,  
alluminio colorato

Cod. Art.	CHF / pz	crt. (pz.)
SE S3 D7 ...*	98,58	10

### Schlüter®-SHELF-E-S3-TS

mensola, Design FLORAL,  
alluminio con finitura a rilievo TRENDLINE

Cod. Art.	CHF / pz	crt. (pz.)
SE S3 D5 ...**	106,95	10

### Schlüter®-SHELF-E-S3-TS

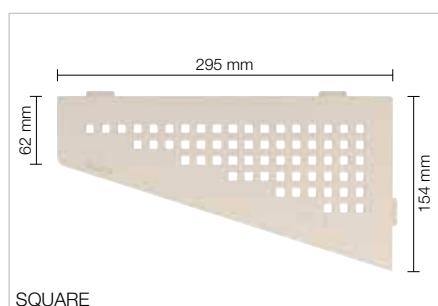
mensola, Design CURVE,  
alluminio con finitura a rilievo TRENDLINE

Cod. Art.	CHF / pz	crt. (pz.)
SE S3 D6 ...**	99,81	10

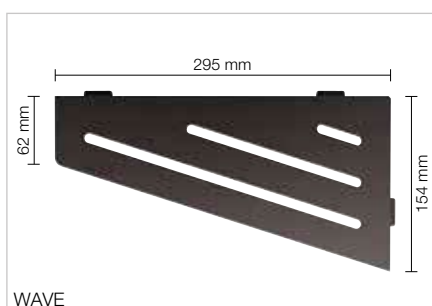
### Schlüter®-SHELF-E-S3-TS

mensola, Design PURE,  
alluminio con finitura a rilievo TRENDLINE

Cod. Art.	CHF / pz	crt. (pz.)
SE S3 D7 ...**	105,63	10



SQUARE



WAVE

### Schlüter®-SHELF-E-S3-AC

mensola, Design SQUARE,  
alluminio colorato

Cod. Art.	CHF / pz	crt. (pz.)
SE S3 D3 ...*	98,58	10

### Schlüter®-SHELF-E-S3-AC

mensola, Design WAVE,  
alluminio colorato

Cod. Art.	CHF / pz	crt. (pz.)
SE S3 D10 ...*	98,58	10

### Schlüter®-SHELF-E-S3-TS

mensola, Design SQUARE,  
alluminio con finitura a rilievo TRENDLINE

Cod. Art.	CHF / pz	crt. (pz.)
SE S3 D3 ...**	105,63	10

### Schlüter®-SHELF-E-S3-TS

mensola, Design WAVE,  
alluminio con finitura a rilievo TRENDLINE

Cod. Art.	CHF / pz	crt. (pz.)
SE S3 D10 ...**	105,63	10

**MyDesign by Schlüter-Systems**  
E' possibile personalizzare il colore  
scegliendo tra 190 tonalità  
della gamma RAL Classic.  
Per maggiori dettagli consultare pag. 16.

Completare il Cod. Art. con finitura/colore  
(ad es. SE S3 D10 TSG)

\* Finiture/colori: MBW - MGS

\*\* Finiture/colori:

TSBG - TSC - TSDA - TSG - TSI - TSOB - TSSG

## Finiture | Colori disponibili



**i**  
Ora disponibile anche in TSG  
(grigio con finitura a rilievo!)

A pagina 340 e segg. è disponibile una panoramica delle finiture e dei colori.



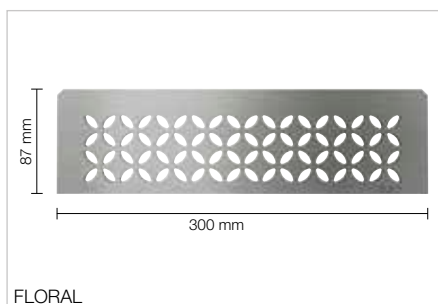
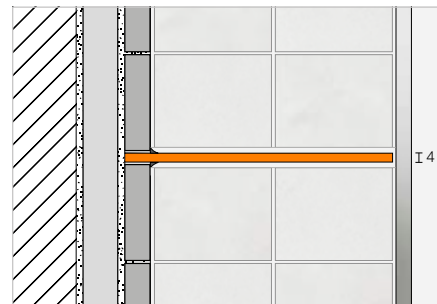
## Mensole

### Schlüter®-SHELF-N

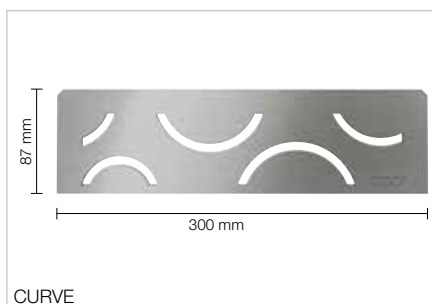


Schlüter-SHELF-N sono mensole rettangolari, da inserire nelle nicchie prefabbricate Schlüter-KERDI-BOARD. Sono disponibili nei design FLORAL, CURVE, PURE, SQUARE e WAVE in acciaio inossidabile spazzolato ed in alluminio con pregiata finitura TRENDLINE. Sono perfettamente integrabili in fase di posa nelle nicchie KERDI-BOARD-N, come piano di appoggio.

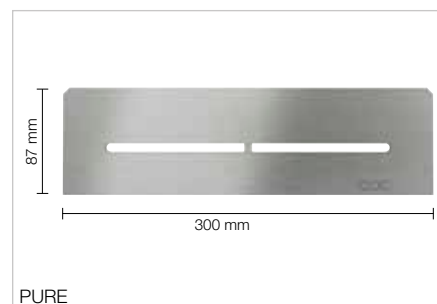
(Scheda tecnica 17.1)



FLORAL



CURVE



PURE

#### Schlüter®-SHELF-N-S1-EB

mensola, Design FLORAL, acciaio inossidabile spazzolato

Cod. Art.	CHF / pz	crt. (pz.)
SN S1 D5 EB	129,69	10

#### Schlüter®-SHELF-N-S1-EB

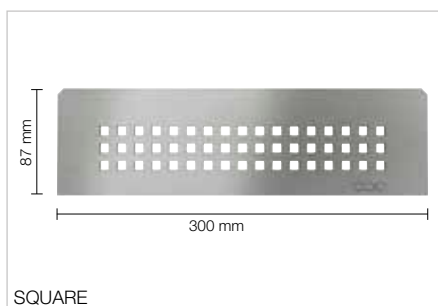
mensola, Design CURVE, acciaio inossidabile spazzolato

Cod. Art.	CHF / pz	crt. (pz.)
SN S1 D6 EB	120,91	10

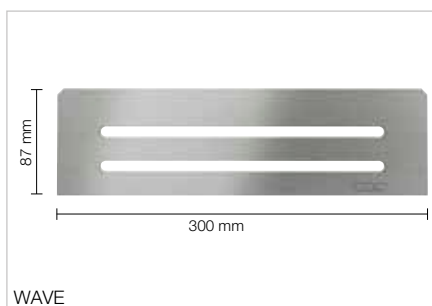
#### Schlüter®-SHELF-N-S1-EB

mensola, Design PURE, acciaio inossidabile spazzolato

Cod. Art.	CHF / pz	crt. (pz.)
SN S1 D7 EB	130,28	10



SQUARE



WAVE

#### Schlüter®-SHELF-N-S1-EB

mensola, Design SQUARE, acciaio inossidabile spazzolato

Cod. Art.	CHF / pz	crt. (pz.)
SN S1 D3 EB	130,28	10

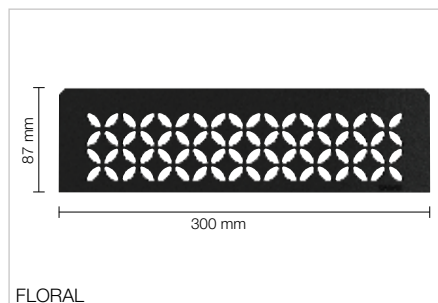
#### Schlüter®-SHELF-N-S1-EB

mensola, Design WAVE, acciaio inossidabile spazzolato

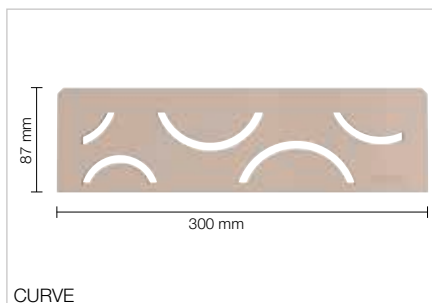
Cod. Art.	CHF / pz	crt. (pz.)
SN S1 D10 EB	130,28	10

#### Nota:

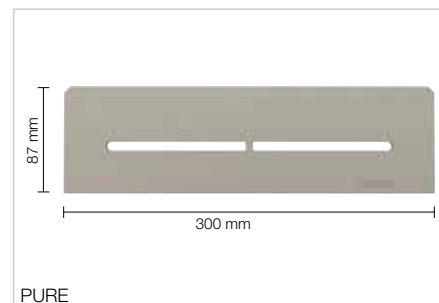
Per la gamma delle nicchie Schlüter-KERDI-BOARD-N vedi pagg. 270-275.



FLORAL



CURVE



PURE

### Schlüter®-SHELF-N-S1-AC

mensola, Design FLORAL,  
alluminio colorato

Cod. Art.	CHF / pz	crt. (pz.)
SN S1 D5 ...*	91,26	10

### Schlüter®-SHELF-N-S1-AC

mensola, Design CURVE,  
alluminio colorato

Cod. Art.	CHF / pz	crt. (pz.)
SN S1 D6 ...*	78,42	10

### Schlüter®-SHELF-N-S1-AC

mensola, Design PURE,  
alluminio colorato

Cod. Art.	CHF / pz	crt. (pz.)
SN S1 D7 ...*	93,65	10

### Schlüter®-SHELF-N-S1-TS

mensola, Design FLORAL,  
alluminio con finitura a rilievo TRENLINE

Cod. Art.	CHF / pz	crt. (pz.)
SN S1 D5 ...**	99,81	10

### Schlüter®-SHELF-N-S1-TS

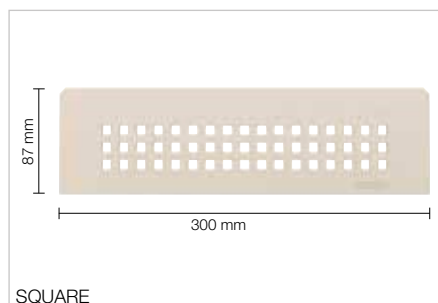
mensola, Design CURVE,  
alluminio con finitura a rilievo TRENLINE

Cod. Art.	CHF / pz	crt. (pz.)
SN S1 D6 ...**	85,57	10

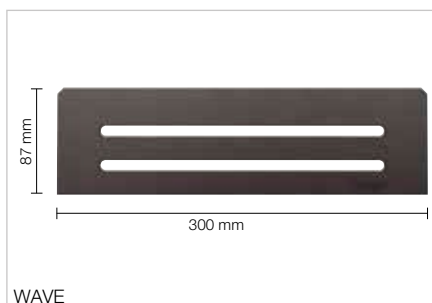
### Schlüter®-SHELF-N-S1-TS

mensola, Design PURE,  
alluminio con finitura a rilievo TRENLINE

Cod. Art.	CHF / pz	crt. (pz.)
SN S1 D7 ...**	100,72	10



SQUARE



WAVE

### Schlüter®-SHELF-N-S1-AC

mensola, Design SQUARE,  
alluminio colorato

Cod. Art.	CHF / pz	crt. (pz.)
SN S1 D3 ...*	93,65	10

### Schlüter®-SHELF-N-S1-AC

mensola, Design WAVE,  
alluminio colorato

Cod. Art.	CHF / pz	crt. (pz.)
SN S1 D10 ...*	93,65	10

### Schlüter®-SHELF-N-S1-TS

mensola, Design SQUARE,  
alluminio con finitura a rilievo TRENLINE

Cod. Art.	CHF / pz	crt. (pz.)
SN S1 D3 ...**	100,72	10

### Schlüter®-SHELF-N-S1-TS

mensola, Design WAVE,  
alluminio con finitura a rilievo TRENLINE

Cod. Art.	CHF / pz	crt. (pz.)
SN S1 D10 ...**	100,72	10

**MyDesign by Schlüter-Systems**  
E' possibile personalizzare il colore  
scegliendo tra 190 tonalità  
della gamma RAL Classic.  
Per maggiori dettagli consultare pag. 16.

Completare il Cod. Art. con finitura/colore  
(ad es. SN S1 D10 TSC)

\* Finiture/colori: MBW - MGS

\*\* Finiture/colori:

TSBG - TSC - TSDA - TSG - TSI - TSOB - TSSG

## Finiture | Colori disponibili



**i**  
Ora disponibile anche in TSG  
(grigio con finitura a rilievo)!

A pagina 340 e segg. è disponibile una panoramica delle finiture e dei colori.

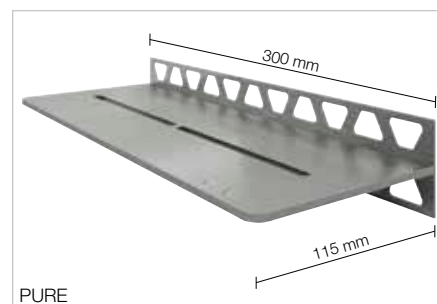
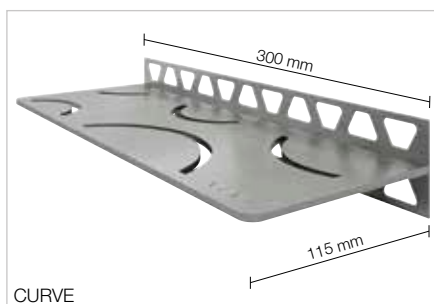
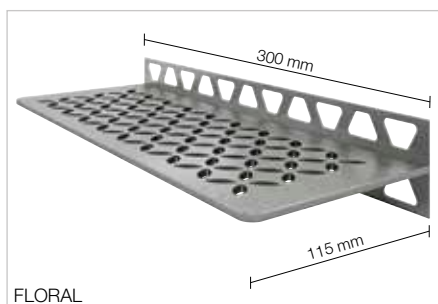
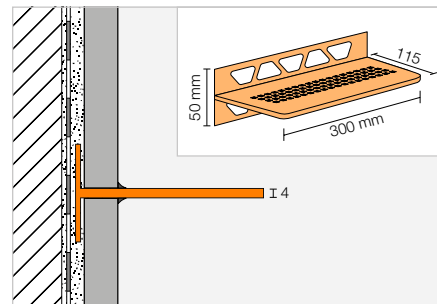


## Mensole

### Schlüter®-SHELF-W



Schlüter-SHELF-W sono mensole rettangolari da inserire a parete. Sono disponibili nei design FLORAL, CURVE, PURE, SQUARE e WAVE in acciaio inossidabile spazzolato ed in alluminio con pregiata finitura TRENDLINE. Con le apposite alette di fissaggio forate a trapezio, vengono integrate nella parete durante la posa delle piastrelle. Sono mensole utili nel vano doccia, ma comode anche in cucina. (Scheda tecnica 17.1)



#### Schlüter®-SHELF-W-S1-EB

mensola, Design FLORAL, acciaio inossidabile spazzolato

Cod. Art.	CHF / pz	crt. (pz.)
SW S1 D5 EB	175,88	10

#### Schlüter®-SHELF-W-S1-EB

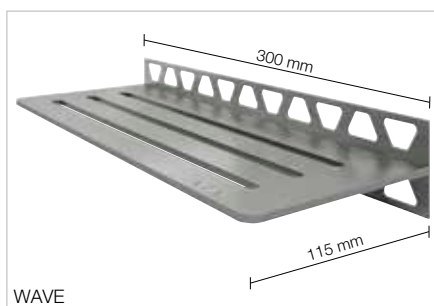
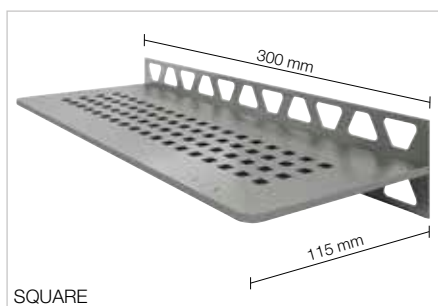
mensola, Design CURVE, acciaio inossidabile spazzolato

Cod. Art.	CHF / pz	crt. (pz.)
SW S1 D6 EB	161,21	10

#### Schlüter®-SHELF-W-S1-EB

mensola, Design PURE, acciaio inossidabile spazzolato

Cod. Art.	CHF / pz	crt. (pz.)
SW S1 D7 EB	180,95	10



#### Schlüter®-SHELF-W-S1-EB

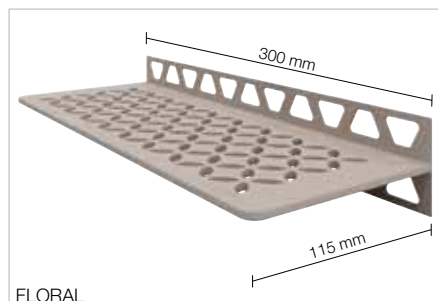
mensola, Design SQUARE, acciaio inossidabile spazzolato

Cod. Art.	CHF / pz	crt. (pz.)
SW S1 D3 EB	180,95	10

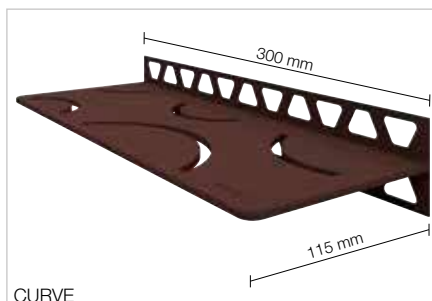
#### Schlüter®-SHELF-W-S1-EB

mensola, Design WAVE, acciaio inossidabile spazzolato

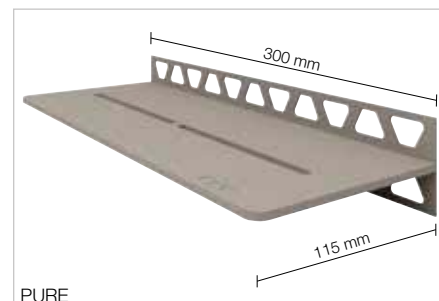
Cod. Art.	CHF / pz	crt. (pz.)
SW S1 D10 EB	180,95	10



FLORAL



CURVE



PURE

### Schlüter®-SHELF-W-S1-AC

mensola, Design FLORAL, alluminio colorato

Cod. Art.	CHF / pz	crt. (pz.)
SW S1 D5 ...*	131,90	10

### Schlüter®-SHELF-W-S1-AC

mensola, Design CURVE, alluminio colorato

Cod. Art.	CHF / pz	crt. (pz.)
SW S1 D6 ...*	117,64	10

### Schlüter®-SHELF-W-S1-AC

mensola, Design PURE, alluminio colorato

Cod. Art.	CHF / pz	crt. (pz.)
SW S1 D7 ...*	133,80	10

### Schlüter®-SHELF-W-S1-TS

mensola, Design FLORAL, alluminio con finitura a rilievo TRENDLINE

Cod. Art.	CHF / pz	crt. (pz.)
SW S1 D5 ...**	140,47	10

### Schlüter®-SHELF-W-S1-TS

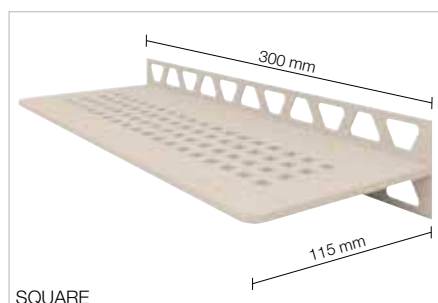
mensola, Design CURVE, alluminio con finitura a rilievo TRENDLINE

Cod. Art.	CHF / pz	crt. (pz.)
SW S1 D6 ...**	126,19	10

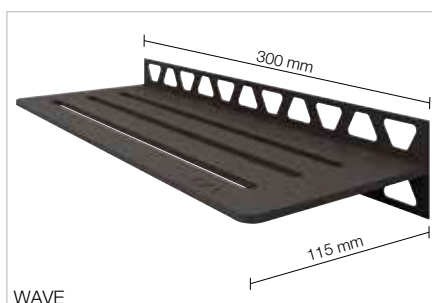
### Schlüter®-SHELF-W-S1-TS

mensola, Design PURE, alluminio con finitura a rilievo TRENDLINE

Cod. Art.	CHF / pz	crt. (pz.)
SW S1 D7 ...**	140,84	10



SQUARE



WAVE

### Schlüter®-SHELF-W-S1-AC

mensola, Design SQUARE, alluminio colorato

Cod. Art.	CHF / pz	crt. (pz.)
SW S1 D3 ...*	133,80	10

### Schlüter®-SHELF-W-S1-AC

mensola, Design WAVE, alluminio colorato

Cod. Art.	CHF / pz	crt. (pz.)
SW S1 D10 ...*	133,80	10

### Schlüter®-SHELF-W-S1-TS

mensola, Design SQUARE, alluminio con finitura a rilievo TRENDLINE

Cod. Art.	CHF / pz	crt. (pz.)
SW S1 D3 ...**	140,84	10

### Schlüter®-SHELF-W-S1-TS

mensola, Design WAVE, alluminio con finitura a rilievo TRENDLINE

Cod. Art.	CHF / pz	crt. (pz.)
SW S1 D10 ...**	140,84	10

**MyDesign by Schlüter-Systems**  
E' possibile personalizzare il colore scegliendo tra 190 tonalità della gamma RAL Classic. Per maggiori dettagli consultare pag. 16.

Completare il Cod. Art. con finitura/colore (ad es. SW S1 D10 TSC)

\* Finiture/colori: MBW - MGS

\*\* Finiture/colori:

TSBG - TSC - TSDA - TSG - TSI - TSOB - TSSG

## Finiture | Colori disponibili



**i**  
Ora disponibile anche in TSG (grigio con finitura a rilievo!)

A pagina 340 e segg. è disponibile una panoramica delle finiture e dei colori.



# Schlüter®-KERDI-BOARD

## Molto più di un pannello

Facile da utilizzare, leggero da trasportare ed impermeabile: chi ha provato Schlüter-KERDI-BOARD non può più rinunciare ai suoi vantaggi. Nella nostra gamma prodotti trovate sempre la soluzione adatta ad ogni situazione – dal rivestimento dei tubi alle nicchie da parete con illuminazione incorporata. Date libero sfogo alla vostra creatività.







## Pannelli

Schlüter®-KERDI-BOARD	267
Schlüter®-KERDI-BOARD-V	276

## Kit lavabo

Schlüter®-KERDI-BOARD-W	269
-------------------------	-----

## Kit nicchie

Schlüter®-KERDI-BOARD-N	270
Schlüter®-KERDI-BOARD-NLT	272
Schlüter®-KERDI-BOARD-NLT-BR	274

## Impermeabilizzazione

Schlüter®-KERDI-KEBA	277
Schlüter®-KERDI-COLL-L	277

## Profili

Schlüter®-KERDI-BOARD-ZW	278
Schlüter®-KERDI-BOARD-ZC	278
Schlüter®-KERDI-BOARD-ZA	279
Schlüter®-KERDI-BOARD-ZB	279

## Accessori

Schlüter®-KERDI-BOARD-E	276
Schlüter®-KERDI-BOARD-U	276
Schlüter®-KERDI-BOARD-ZSD	280
Schlüter®-KERDI-BOARD-ZT	280
Schlüter®-KERDI-BOARD-ZS	280
Schlüter®-KERDI-BOARD-ZDK	281
Schlüter®-KERDI-BOARD-ZSA	281
Schlüter®-KERDI-BOARD-ZFP	281



# Schlüter®-KERDI-BOARD

## Il sottofondo universale per ogni esigenza

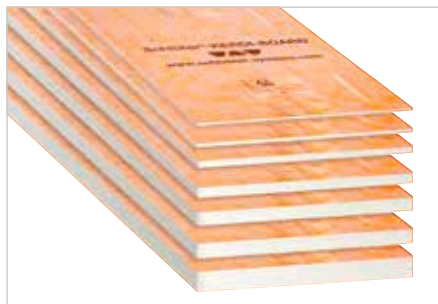
Nelle nuove costruzioni o nelle ristrutturazioni, molti sottofondi e/o pareti non sono adatti per applicare i rivestimenti ceramici, soprattutto nelle zone umide. In questi casi bisogna ricorrere spesso a lavori supplementari ed a particolari sistemi di impermeabilizzazione. Con i pannelli Schlüter-KERDI-BOARD è possibile coprire le pareti esistenti impermeabilizzandole oppure creare pareti nuove, sulle quali potrà essere applicato direttamente il rivestimento ceramico, così come accessori in legno o di metallo. I pannelli possono essere utilizzati anche per la costruzione di divisorie, mensole, piani cucina.

- ✓ Sistema di impermeabilizzazione certificato abP
- ✓ Sistema di impermeabilizzazione con marchio CE
- ✓ Impermeabile e resistente alle temperature
- ✓ Freno vapore
- ✓ Termoisolante
- ✓ VOC Classe A+ (emissioni molto basse di composti organici volatili)
- ✓ Privo di sostanze cementizie e vetrose
- ✓ Planare, resistente e stabile
- ✓ Facile da tagliare (con un cutter) e senza rilascio di polveri
- ✓ Superficie centimetrata
- ✓ Tessuto non tessuto su entrambi i lati per posa a letto pieno o a punti di colla
- ✓ Leggero e facile da trasportare
- ✓ Utilizzabile su qualsiasi sottofondo o parete
- ✓ Piacevole al tatto



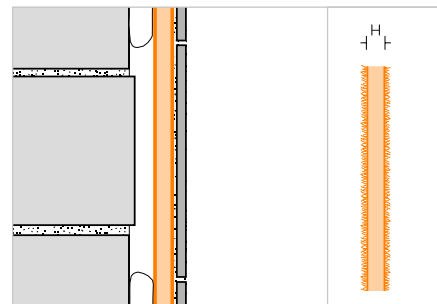
## Pannello

## Schlüter®-KERDI-BOARD



Schlüter-KERDI-BOARD è un sottofondo universale per qualsiasi tipologia di parete e può essere impiegato come impermeabilizzazione in abbinamento ad un rivestimento ceramico. Schlüter-KERDI-BOARD può essere utilizzato come sottofondo anche per rivestimenti spatolati.

(Scheda tecnica 12.1)



## Schlüter®-KERDI-BOARD

pannello

H (mm)	62,5 x 260 cm = 1,62 m <sup>2</sup> Cod. Art.	CHF / m <sup>2</sup>	pal. (pz.)
5	KB 5 625 2600	<b>46,12</b>	140
9	KB 9 625 2600	<b>48,35</b>	80
12,5	KB 12 625 2600	<b>50,66</b>	60
19	KB 19 625 2600	<b>52,89</b>	42
28	KB 28 625 2600	<b>58,79</b>	28
38	KB 38 625 2600	<b>65,99</b>	21
50	KB 50 625 2600	<b>74,17</b>	15

## Schlüter®-KERDI-BOARD

paletta mista

composta da	L = 2,60 m Cod. Art.	CHF / pz
20 x 5 mm, 20 x 9 mm, 20 x 12,5 mm, 12 x 19 mm	KB 2600 MP1	<b>5731,06</b>
8 x 28 mm, 6 x 38 mm, 6 x 50 mm	KB 2600 MP2	<b>2124,24</b>
10 x 5 mm, 10 x 9 mm, 10 x 12,5 mm, 6 x 19 mm, 4 x 28 mm, 3 x 38 mm, 3 x 50 mm	KB 2600 MP3	<b>3927,63</b>

## Schlüter®-KERDI-BOARD

pannello

H (mm)	62,5 x 125 cm = 0,78 m <sup>2</sup> Cod. Art.	CHF / m <sup>2</sup>	pal. (pz.)
5	KB 5 625 1250	<b>46,12</b>	140
9	KB 9 625 1250	<b>48,35</b>	80
12,5	KB 12 625 1250	<b>50,66</b>	60
19	KB 19 625 1250	<b>52,89</b>	42
28	KB 28 625 1250	<b>58,79</b>	28
38	KB 38 625 1250	<b>65,99</b>	21
50	KB 50 625 1250	<b>74,17</b>	15

## Schlüter®-KERDI-BOARD

paletta mista

composta da	L = 1,25 m Cod. Art.	CHF / pz
20 x 5 mm, 20 x 9 mm, 20 x 12,5 mm, 12 x 19 mm	KB 1250 MP1	<b>2759,39</b>
8 x 28 mm, 6 x 38 mm, 6 x 50 mm	KB 1250 MP2	<b>1022,76</b>
10 x 5 mm, 10 x 9 mm, 10 x 12,5 mm, 6 x 19 mm, 4 x 28 mm, 3 x 38 mm, 3 x 50 mm	KB 1250 MP3	<b>1891,10</b>

## Dimensione e confezionamento Schlüter®-KERDI-BOARD

Spessore pannello	5 mm	9 mm	12,5 mm	19 mm	28 mm	38 mm	50 mm
Unità di fornitura (conf.)	10 pannelli	10 pannelli	10 pannelli	6 pannelli	4 pannelli	3 pannelli	3 pannelli
Paletta	14 conf. (140 pannelli)	8 conf. (80 pannelli)	6 conf. (60 pannelli)	7 conf. (42 pannelli)	7 conf. (28 pannelli)	7 conf. (21 pannelli)	5 conf. (15 pannelli)
<b>Formato 125 x 62,5 cm</b>							
m <sup>2</sup> / paletta	109,20	62,40	46,80	32,76	21,84	16,38	11,70
kg / pannello	0,843	0,961	1,055	1,167	1,399	1,657	1,966
<b>Formato 260 x 62,5 cm</b>							
m <sup>2</sup> / paletta	226,80	129,60	97,20	68,04	45,36	34,02	24,30
kg / pannello	1,755	1,998	2,194	2,428	2,911	3,447	4,090



# Schlüter®-KERDI-BOARD-W

Soluzione individuale e flessibile per il lavabo

- ✓ Elemento preformato in KERDI-BOARD per lavabo
- ✓ Componenti per impermeabilizzazione inclusi nel kit
- ✓ Pronto da piastrellare
- ✓ Leggero - maneggevole
- ✓ Si può tagliare a misura
- ✓ Filettatura di collegamento da 1¼" per sifoni disponibili in commercio
- ✓ Adatto ai profili di deflusso KERDI-LINE-VARIO
- ✓ Possibilità di montaggio sospeso con staffe a parete opzionali



## Kit lavabo

## Schlüter®-KERDI-BOARD-W

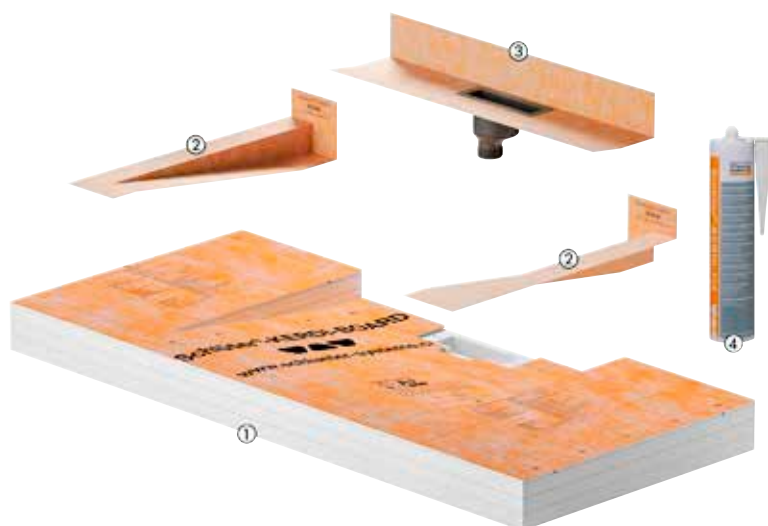


Schlüter-KERDI-BOARD-W è un elemento prefabbricato per la creazione di un lavabo piastrellato progettato individualmente in cui i rubinetti sono installati a parete. L'elemento può essere installato in nicchie o angoli a parete ed è facilmente adattabile alle condizioni esistenti. Il montaggio sospeso è possibile utilizzando staffe a parete disponibili come optional.

L'adattatore di scarico incluso nella fornitura è dotato di una filettatura di raccordo da 1¼" per il collegamento di sifoni disponibili in commercio e di un tassello di tenuta flessibile KERDI integrato. Sono inoltre inclusi nella fornitura i pezzi sagomati KERDI-KERS per una tenuta sicura ed una cartuccia di KERDI-FIX.

I profili di deflusso KERDI-LINE-VARIO abbinati al rivestimento del lavabo devono essere ordinati separatamente. Si possono tagliare nella misura desiderata e regolare in altezza. Vengono forniti con 2 appositi terminali di chiusura (vedi scheda tecnica 8.10).

(Scheda tecnica 12.3)



## Il kit base contiene:

- 1 lavabo prefabbricato in KERDI-BOARD
- 2 angoli prefabbricati KERDI-KERS (destro e sinistro)
- 3 adattatore per lo scarico con filettatura 1¼", incluso tassello di tenuta KERDI
- 4 cartuccia KERDI-FIX

## Schlüter®-KERDI-BOARD-WW

lavabo prefabbricato con angoli prefabbricati e adattatore per lo scarico con tassello di tenuta integrato

B x H x T (mm)	Cod. Art.	CHF / kit	pal. (kit)
1170 x 82 x 520	KB W 520 1170 WL V1	<b>570,80</b>	10

## Nota:

Il lavabo KERDI-BOARD-W si può abbinare solo con i nostri profili di deflusso KERDI-LINE-VARIO COVE oppure WAVE.

## Kit di mensole

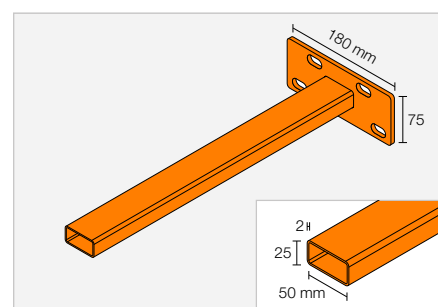
## Schlüter®-KERDI-BOARD-AB

kit di mensole per il fissaggio sospeso del lavabo alla parete, incluso materiale di fissaggio

Cod. Art.	CHF / kit	pal. (kit)
KB W AB 450	<b>147,60</b>	10

## Il kit base contiene:

- 2 Mensole
- Materiale per il fissaggio
- Dima per foratura





## Kit nicchia

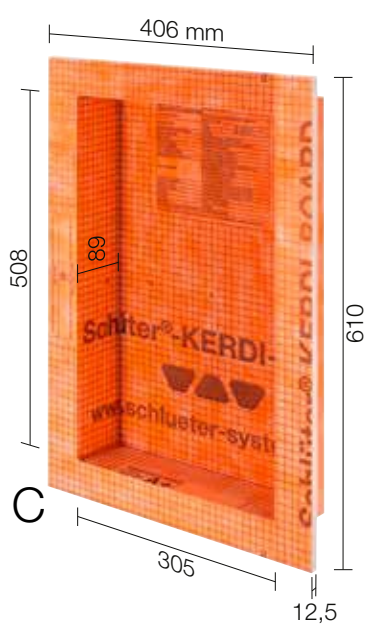
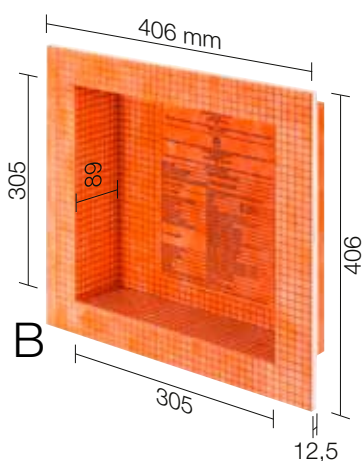
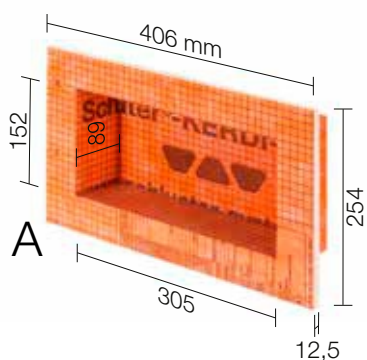
### Schlüter®-KERDI-BOARD-N



Schlüter-KERDI-BOARD-N sono elementi prefabbricati da incasso realizzati in KERDI-BOARD per la creazione di nicchie e piani di appoggio in una parete in interno. Possono essere raccordate con i sistemi di impermeabilizzazione sotto manto ceramico Schlüter-KERDI. Sono disponibili in varie dimensioni. Le nicchie rettangolari possono essere installate in verticale o orizzontale. Tassello di tenuta già incluso nella confezione.  
(Scheda tecnica 12.1)

**i**  
Le nostre mensole Schlüter-SHELF-N sono visibili alle pagine 260 e 261.

## Dimensioni delle nicchie





### Schlüter®-KERDI-BOARD-N

kit nicchia

	B x H x T (mm)	Spessore pannello (mm)	Cod. Art.	CHF / pz	pal. (pz.)
A	305 x 152 x 89	12,5	KB 12 N 305 152 A	<b>75,25</b>	20
B	305 x 305 x 89	12,5	KB 12 N 305 305 A	<b>94,14</b>	20
C	305 x 508 x 89	12,5	KB 12 N 305 508 A1	<b>139,15</b>	20
D	305 x 711 x 89	12,5	KB 12 N 305 711 A1	<b>188,30</b>	20

**Nota:** Le misure indicano le dimensioni interne.

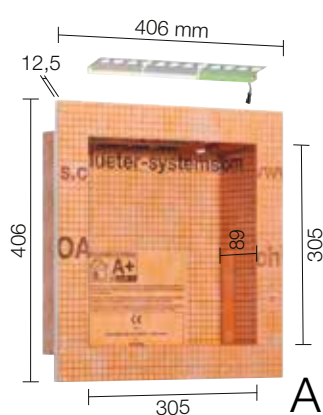


# Schlüter®-KERDI-BOARD-NLT

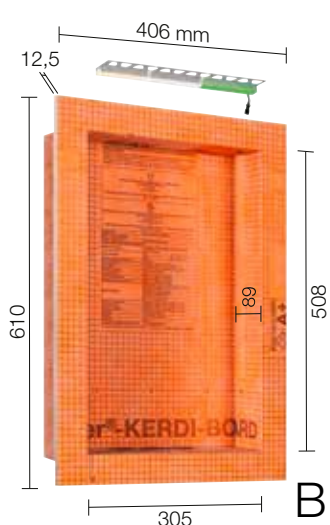
Schlüter-KERDI-BOARD-NLT sono nicchie prefabbricate in KERDI-BOARD con LED LIPROTEC in versione Plug & Play. Sono nicchie da incasso illuminate per pareti di ogni tipo. Possono essere raccordate con i sistemi di impermeabilizzazione sotto manto ceramico Schlüter-KERDI. Sono disponibili in varie dimensioni e con LED di diversi colori. Le nicchie rettangolari sono disponibili con illuminazione sul lato lungo oppure sul lato corto. Il modulo LED può essere posizionato sul bordo anteriore, al centro o sulla parete posteriore da piastrellare. Il set di fornitura comprende tutti i componenti necessari per l'installazione, come il cavo di connessione, l'alimentatore ed il tassello di tenuta.

(Scheda tecnica 12.2)

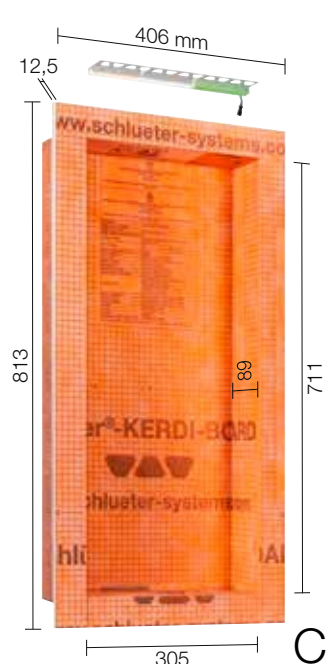
## Dimensioni delle nicchie



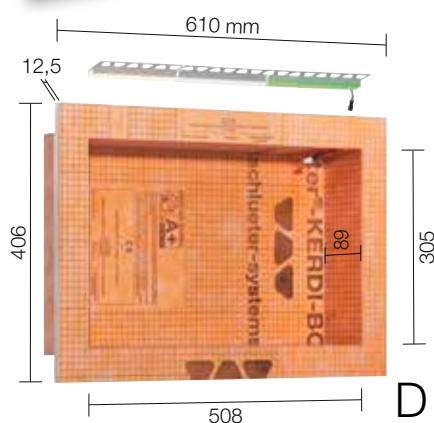
A



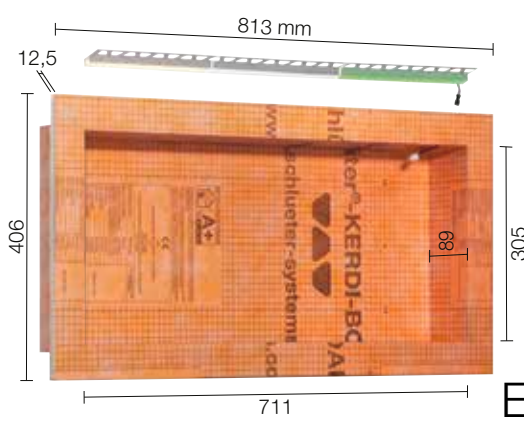
B



C



D



E

**i**  
Le nostre mensole Schlüter-SHELF-N sono visibili alle pagine 260 e 261.

## Il kit base contiene:



**i**  
Ricevitore Bluetooth non incluso!



## Kit nicchie da incasso con illuminazione LED

## Schlüter®-KERDI-BOARD-NLT

kit nicchie da incasso con illuminazione LED

	B x H x T (mm)	Tipo di illuminazione	Cod. Art.	CHF / kit	pal. (kit)
A	305 x 305 x 89	bianco caldo	KB 12 NL TP1 AE 1	<b>338,01</b>	20
		bianco neutro	KB 12 NL TP1 AE 2	<b>338,01</b>	20
		RGB + bianco	KB 12 NL TP1 AE 9	<b>380,26</b>	20
B	305 x 508 x 89	bianco caldo	KB 12 NL TP2 AE 1	<b>380,26</b>	20
		bianco neutro	KB 12 NL TP2 AE 2	<b>380,26</b>	20
		RGB + bianco	KB 12 NL TP2 AE 9	<b>422,53</b>	20
C	305 x 711 x 89	bianco caldo	KB 12 NL TP3 AE 1	<b>436,60</b>	20
		bianco neutro	KB 12 NL TP3 AE 2	<b>436,60</b>	20
		RGB + bianco	KB 12 NL TP3 AE 9	<b>478,85</b>	20
D	508 x 305 x 89	bianco caldo	KB 12 NL TP4 AE 1	<b>415,48</b>	20
		bianco neutro	KB 12 NL TP4 AE 2	<b>415,48</b>	20
		RGB + bianco	KB 12 NL TP4 AE 9	<b>436,60</b>	20
E	711 x 305 x 89	bianco caldo	KB 12 NL TP5 AE 1	<b>507,03</b>	20
		bianco neutro	KB 12 NL TP5 AE 2	<b>507,03</b>	20
		RGB + bianco	KB 12 NL TP5 AE 9	<b>528,15</b>	20

**Nota:** Le misure indicano le dimensioni interne. La prima misura indicata è la lunghezza illuminata.

## Dati tecnici dei moduli LED inclusi

NLT 9 (RGB+W)		NLT 1 (bianco caldo)		NLT 2 (bianco neutro)	
Dimensioni LED (B x H)	17 x 14,5 mm	Dimensioni LED (B x H)	12 x 10,5 mm	Dimensioni LED (B x H)	12 x 10,5 mm
Potenza nominale (W/m)	vedere LT 25 a pag. 80	Potenza nominale (W/m)	vedere LT 25 a pag. 80	Potenza nominale (W/m)	vedere LT 25 a pag. 80
EEC	F	EEC	E	EEC	E
Numero di LED (pz/m)	112	Numero di LED (pz/m)	280	Numero di LED (pz/m)	280
Temperatura colore (kelvin)	RGB+W (2700 K)	Temperatura colore (kelvin)	3000 K	Temperatura colore (kelvin)	4900 K
IRC	90	IRC	92	IRC	92
Alimentatore incluso	230 V, 15 W	Alimentatore incluso	230 V, 15 W	Alimentatore incluso	230 V, 15 W
Cavo incluso	3 m	Cavo incluso	3 m	Cavo incluso	3 m





## Schlüter®-KERDI-BOARD-NLT-BR

Schlüter-KERDI-BOARD-NLT-BR sono nicchie prefabbricate in KERDI-BOARD con LED LIPROTEC RGB+W in versione Plug & Play con ricevitore radio/Bluetooth. I diversi colori possono essere selezionati tramite il telecomando in dotazione, oppure tramite smartphone o tablet idonei con predisposizione Bluetooth. Sono nicchie da incasso illuminate per pareti di ogni tipo. Possono essere raccordate con i sistemi di impermeabilizzazione sotto manto ceramico Schlüter-KERDI.

Sono disponibili in varie dimensioni. Le nicchie rettangolari sono disponibili con illuminazione sul lato lungo oppure sul lato corto. Il modulo LED RGB+W può essere posizionato sul bordo anteriore, al centro o sulla parete posteriore da piastrellare. Il set di fornitura comprende tutti i componenti necessari per l'installazione, come il cavo di connessione, l'alimentatore, il comando Bluetooth LIPROTEC-PEBR 4 e il tassello di tenuta. Si raccomanda l'installazione di un semplice interruttore on/off (tipo interruttore della luce) per un maggior comfort d'utilizzo.

(Scheda tecnica 12.2)



i  
Le nostre mensole Schlüter-SHELF-N sono visibili alle pagine 260 e 261.

Il kit base contiene:



**Nota:** Le diverse varianti delle nicchie sono visibili a pagina 272.

i  
Con ricevitore Bluetooth e telecomando radio inclusi!

## Kit nicchie da incasso con illuminazione LED e unità di comando

## Schlüter®-KERDI-BOARD-NLT-BR

kit nicchie da incasso con illuminazione LED e unità di comando

	B x H x T (mm)	Tipo di illuminazione	Cod. Art.	CHF / kit	pal. (kit)
A	305 x 305 x 89	RGB + bianco	KB 12 NL TP1 AE 9 BR	<b>626,74</b>	20
B	305 x 508 x 89	RGB + bianco	KB 12 NL TP2 AE 9 BR	<b>668,99</b>	20
C	305 x 711 x 89	RGB + bianco	KB 12 NL TP3 AE 9 BR	<b>725,33</b>	20
D	508 x 305 x 89	RGB + bianco	KB 12 NL TP4 AE 9 BR	<b>683,08</b>	20
E	711 x 305 x 89	RGB + bianco	KB 12 NL TP5 AE 9 BR	<b>774,62</b>	20

**Nota:** Le misure indicano le dimensioni interne. La prima misura indicata è la lunghezza illuminata.

## Dati tecnici dei moduli LED inclusi

## NLT 9 (RGB+W)

Dimensioni LED (B x H)	17 x 14,5 mm
Potenza nominale (W/m)	vedere LT 25 a pag. 80
EEC	F
Numero di LED (pz/m)	112
IRC	90
Alimentatore incluso	230 V, 15 W
Cavo incluso	3 m

**i**  
Le informazioni tecniche dettagliate su Schlüter-KERDI-BOARD-NLT / -NLT-BR sono disponibili nel nostro listino prezzi illustrato Schlüter-LIPROTEC.

## Dati tecnici del comando Bluetooth incluso

## LT PEBR 4

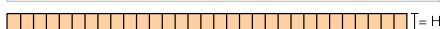
Standard di trasmissione ricevitore/telecomando	Bluetooth/radio
Portata max.	10 m
Tensione in ingresso	24 V, DC
Carico max. del sistema LIPROTEC	90 W
Massima lunghezza strisce LED	6 m
Grado di protezione	IP63
Temperatura ambiente	da -20 °C a +50 °C





## Pannello

### Schlüter®-KERDI-BOARD-V



Schlüter-KERDI-BOARD-V è un pannello pre-tagliato verticalmente nel senso dell'altezza e viene utilizzato per superfici curve.  
(Scheda tecnica 12.1)

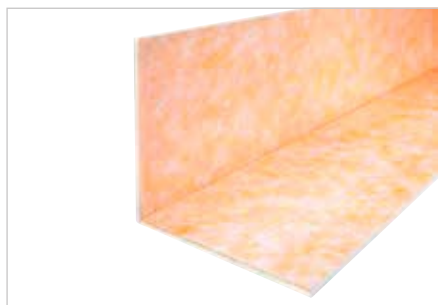
#### Schlüter®-KERDI-BOARD-V

pannello pretagliato in verticale

H (mm)	62,5 x 260 cm = 1,62 m <sup>2</sup> Cod. Art.	CHF / m <sup>2</sup>	pal. (pz.)
9	KB 9 625 2600 V	<b>61,41</b>	80
12,5	KB 12 625 2600 V	<b>63,68</b>	60
19	KB 19 625 2600 V	<b>65,90</b>	42
28	KB 28 625 2600 V	<b>71,78</b>	28
38	KB 38 625 2600 V	<b>79,03</b>	21
50	KB 50 625 2600 V	<b>87,17</b>	15

## Pannello angolare

### Schlüter®-KERDI-BOARD-E



Schlüter-KERDI-BOARD-E è un pannello angolare a forma di L.  
(Scheda tecnica 12.1)

#### Schlüter®-KERDI-BOARD-E

pannello angolare 260 x 62,5 cm

H (mm)	31 x 31 cm Cod. Art.	CHF / pz	pal. (pz.)
12,5	KB 12 625 2600 E	<b>111,59</b>	60
19	KB 19 625 2600 E	<b>115,21</b>	42
28	KB 28 625 2600 E	<b>124,78</b>	28

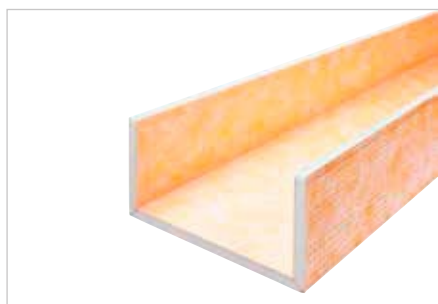
#### Schlüter®-KERDI-BOARD-E/-U

confezione mista/elemento a L + U

composta da	L = 2,60 m Cod. Art.	CHF / pz
2 x KB 19 625 2600 E 2 x KB 19 625 2600 U 20 2 x KB 19 625 2600 U 30	KB RK 2600 MP1	<b>808,83</b>

## Rivestimento tubi

### Schlüter®-KERDI-BOARD-U



Schlüter-KERDI-BOARD-U è un pannello a forma di U.  
(Scheda tecnica 12.1)

#### Schlüter®-KERDI-BOARD-U

pannello a U 260 x 62,5 cm

H (mm)	21 x 20 x 21 cm Cod. Art.	CHF / pz	pal. (pz.)
19	KB 19 625 2600 U 20	<b>144,60</b>	42

#### Schlüter®-KERDI-BOARD-U

pannello a U 260 x 62,5 cm

H (mm)	16 x 30 x 16 cm Cod. Art.	CHF / pz	pal. (pz.)
19	KB 19 625 2600 U 30	<b>144,60</b>	42

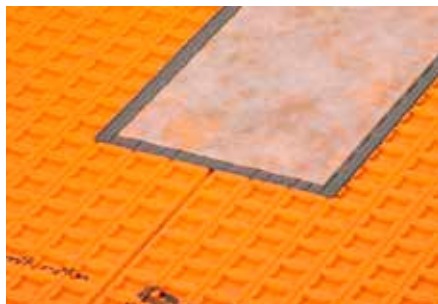
#### Schlüter®-KERDI-BOARD-E/-U

confezione mista/elemento a L + U

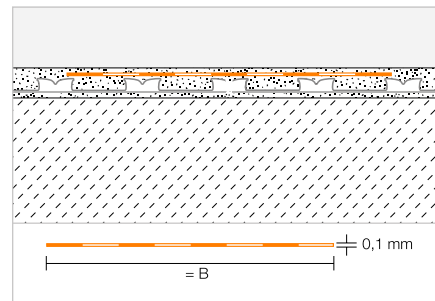
composta da	L = 2,60 m Cod. Art.	CHF / pz
2 x KB 19 625 2600 E 2 x KB 19 625 2600 U 20 2 x KB 19 625 2600 U 30	KB RK 2600 MP1	<b>808,83</b>

## Fascetta impermeabilizzante

## Schlüter®-KERDI-KEBA



Schlüter-KERDI-KEBA è una fascetta impermeabilizzante in polietilene con tessuto filtrato su entrambi i lati. E' utilizzata per sigillare i perimetri, le giunzioni delle guaine impermeabilizzanti e dei pannelli KERDI-BOARD dove viene richiesta un'impermeabilizzazione. (Scheda tecnica 8.1)



## Schlüter®-KERDI-KEBA

rotolo in polietilene

B (mm)	Rotoli = 30 m Cod. Art.	CHF / m	pal. (rotoli)
85	KEBA 100 / 85	<b>2,98</b>	336
125	KEBA 100 / 125	<b>4,53</b>	210
150	KEBA 100 / 150	<b>4,79</b>	210
185	KEBA 100 / 185	<b>6,19</b>	168
250	KEBA 100 / 250	<b>8,03</b>	126

## Schlüter®-KERDI-KEBA/5M

rotolo in polietilene

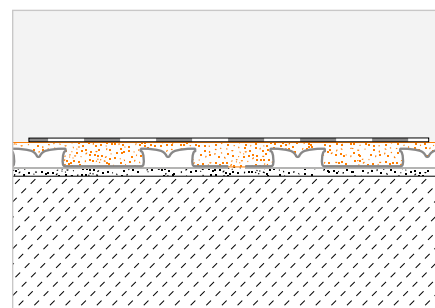
B (mm)	Rotoli = 5 m Cod. Art.	CHF / m	crt. (rotoli)
85	KEBA 100 / 85 / 5M	<b>4,23</b>	10
125	KEBA 100 / 125 / 5M	<b>5,65</b>	10
150	KEBA 100 / 150 / 5M	<b>6,06</b>	10
185	KEBA 100 / 185 / 5M	<b>7,38</b>	10
250	KEBA 100 / 250 / 5M	<b>9,27</b>	10

## Collante impermeabilizzante

## Schlüter®-KERDI-COLL-L



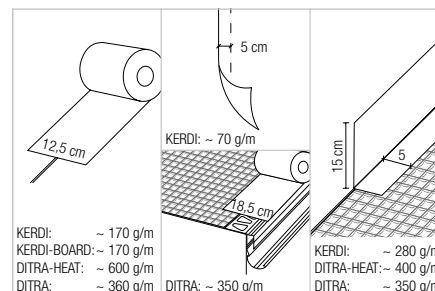
Schlüter-KERDI-COLL-L è una colla impermeabilizzante bicomponente composta da una base acrilica liquida priva di additivi e da una polvere reagente a base cementizia. E' adatta per incollare e sigillare le sovrapposizioni di Schlüter-KERDI. Inoltre, KERDI-COLL-L può essere utilizzata per incollare la fascetta sigillante Schlüter-KERDI-KEBA sui raccordi e sulle giunzioni realizzati con i sistemi di impermeabilizzazione Schlüter-Systems e sui profili di chiusura Schlüter-BARA. (Scheda tecnica 8.4)



## Schlüter®-KERDI-COLL-L

collante bicomponente

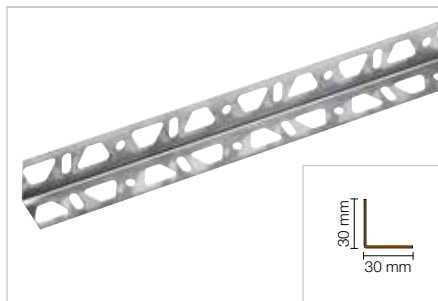
Peso (kg)	Cod. Art.	CHF / kg	pal. (pz.)
1,85	KERDI-COLL-L 185	<b>17,09</b>	110
4,25	KERDI-COLL-L	<b>14,08</b>	75





## Profilo ad L

### Schlüter®-KERDI-BOARD-ZW



Schlüter-KERDI-BOARD-ZW è un profilo ad L 30 x 30 mm in acciaio inossidabile traforato su entrambe le alette. E' ideale per fissare e stabilizzare il pannello Schlüter-KERDI-BOARD nelle sue molteplici soluzioni applicative. Il fissaggio può avvenire indifferentemente tramite collante o con viti. (Scheda tecnica 12.1)

#### Schlüter®-KERDI-BOARD-ZW

profilo ad L 30 x 30 mm acciaio inossidabile

L (cm)	Cod. Art.	CHF / pz	cassa (pz.)
15	KB ZW 30 E/15	<b>1,88</b>	120

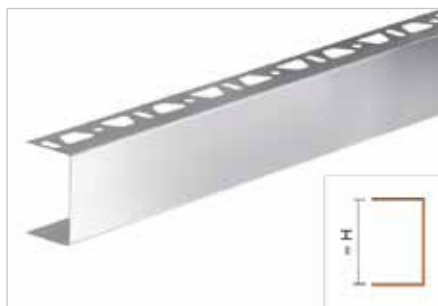
#### Schlüter®-KERDI-BOARD-ZW

profilo ad L 30 x 30 mm acciaio inossidabile

L (cm)	Cod. Art.	CHF / m	cassa (pz.)
250	KB ZW 30 E	<b>11,26</b>	120

## Profilo a U | Angolo | Connettore per giunzioni

### Schlüter®-KERDI-BOARD-ZC



Schlüter-KERDI-BOARD-ZC è un profilo ad U realizzato in acciaio inossidabile spazzolato che presenta una traforatura su una sola aletta. E' particolarmente adatto per applicazioni su piani di lavoro di cucine, piani per lavabi e similari. (Scheda tecnica 12.1)

#### Schlüter®-KERDI-BOARD-ZC

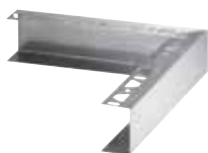
profilo ad U, acciaio inossidabile V2A spazz., traforatura singola aletta

H (mm)	L = 2,50 m Cod. Art.	CHF / m	cassa (pz.)
38	KB ZC 38 EB	<b>26,67</b>	40
50	KB ZC 50 EB	<b>29,16</b>	40

#### Schlüter®-KERDI-BOARD-ZC/E

angolare, acciaio inossidabile V2A spazz., traforatura singola aletta

H (mm)	Cod. Art.	CHF / pz	crt. (pz.)
38	E/KB ZC 38 EB	<b>24,01</b>	10
50	E/KB ZC 50 EB	<b>24,01</b>	10



KERDI-BOARD-ZC/E

#### Schlüter®-KERDI-BOARD-Z/V

connettore esterno, acciaio inossidabile V2A spazz.

H (mm)	Cod. Art.	CHF / pz	crt. (pz.)
38	V/KB Z 38 EB	<b>7,57</b>	50
50	V/KB Z 50 EB	<b>7,57</b>	50



KERDI-BOARD-Z/V

#### Schlüter®-KERDI-BOARD-ZI/V

connettore interno, acciaio inossidabile V2A spazz.

H (mm)	Cod. Art.	CHF / pz	crt. (pz.)
38	V/KB ZI 38 E	<b>4,70</b>	50
50	V/KB ZI 50 E	<b>4,70</b>	50



KERDI-BOARD-ZI/V

## Profilo a U | Angolo | Connettore per giunzioni

### Schlüter®-KERDI-BOARD-ZA



Schlüter-KERDI-BOARD-ZA è un profilo ad U realizzato in acciaio inossidabile spazzolato che presenta la traforatura su entrambe le alette. E' particolarmente adatto come profilo di chiusura che rimane a vista per muri divisori e scaffalature.

(Scheda tecnica 12.1)

### Schlüter®-KERDI-BOARD-ZA

profilo ad U, acciaio inossidabile V2A spazz., traforatura doppia aletta

H (mm)	L = 2,50 m Cod. Art.	CHF / m	cassa (pz.)
19	KB ZA 19 EB	<b>22,62</b>	40
28	KB ZA 28 EB	<b>24,44</b>	40
38	KB ZA 38 EB	<b>26,67</b>	40
50	KB ZA 50 EB	<b>29,16</b>	40

### Schlüter®-KERDI-BOARD-ZA/E

angolare, acciaio inossidabile V2A spazz., traforatura doppia aletta

H (mm)	Cod. Art.	CHF / pz	crt. (pz.)
38	E/KB ZA 38 EB	<b>24,01</b>	10
50	E/KB ZA 50 EB	<b>24,01</b>	10



KERDI-BOARD-ZA/E

### Schlüter®-KERDI-BOARD-Z/V

connettore esterno, acciaio inossidabile V2A spazz.

H (mm)	Cod. Art.	CHF / pz	crt. (pz.)
19	V/KB Z 19 EB	<b>7,57</b>	50
28	V/KB Z 28 EB	<b>7,57</b>	50
38	V/KB Z 38 EB	<b>7,57</b>	50
50	V/KB Z 50 EB	<b>7,57</b>	50



KERDI-BOARD-Z/V

### Schlüter®-KERDI-BOARD-ZI/V

connettore interno, acciaio inossidabile V2A spazz.

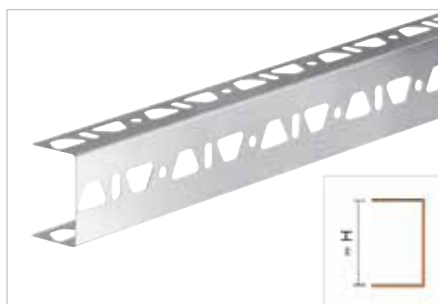
H (mm)	Cod. Art.	CHF / pz	crt. (pz.)
19	V/KB ZI 19 E	<b>4,70</b>	50
28	V/KB ZI 28 E	<b>4,70</b>	50
38	V/KB ZI 38 E	<b>4,70</b>	50
50	V/KB ZI 50 E	<b>4,70</b>	50



KERDI-BOARD-ZI/V

## Profilo a U

### Schlüter®-KERDI-BOARD-ZB



Schlüter-KERDI-BOARD-ZB è un profilo ad U realizzato in acciaio inossidabile spazzolato che presenta la traforatura su tre lati. E' ideale per fissare e stabilizzare il pannello Schlüter-KERDI-BOARD nelle sue molteplici soluzioni applicative.

(Scheda tecnica 12.1)

### Schlüter®-KERDI-BOARD-ZB

profilo ad U, acciaio inossidabile V2A, traforatura su tre lati

H (mm)	L = 2,50 m Cod. Art.	CHF / m	cassa (pz.)
19	KB ZB 19 E	<b>19,50</b>	40
28	KB ZB 28 E	<b>21,08</b>	40
38	KB ZB 38 E	<b>22,79</b>	40
50	KB ZB 50 E	<b>25,02</b>	40



## Tassello a percussione

### Schlüter®-KERDI-BOARD-ZSD



Ø 8 mm

Schlüter-KERDI-BOARD-ZSD sono tasselli in acciaio inossidabile o zincato, adatti per il fissaggio del pannello Schlüter-KERDI-BOARD al supporto.

(Scheda tecnica 12.1)

#### Schlüter®-KERDI-BOARD-ZSD

tassello acciaio inossidabile

L (cm)	Cod. Art.	CHF / Conf.	crt. (conf.)
9	KB ZSD 90 E	32,51	10
11	KB ZSD 110 E	37,53	10

Conf. = 25 pz.

#### Schlüter®-KERDI-BOARD-ZSD

tassello zincato

L (cm)	Cod. Art.	CHF / Conf.	crt. (conf.)
9	KB ZSD 90 Z	17,46	10
11	KB ZSD 110 Z	20,09	10

Conf. = 25 pz.

## Rondella di fissaggio

### Schlüter®-KERDI-BOARD-ZT



Schlüter-KERDI-BOARD-ZT sono rondelle di fissaggio in acciaio inossidabile o in acciaio zincato, che utilizzate in concomitanza con le viti sono ideali per il fissaggio del pannello Schlüter-KERDI-BOARD a strutture fisse.

(Scheda tecnica 12.1)

#### Schlüter®-KERDI-BOARD-ZT

rondella di fissaggio acciaio inossidabile Ø 36 mm

Cod. Art.	CHF / Conf.	crt. (conf.)
KB ZT 36 E	71,56	10

Conf. = 100 pz.

#### Schlüter®-KERDI-BOARD-ZT

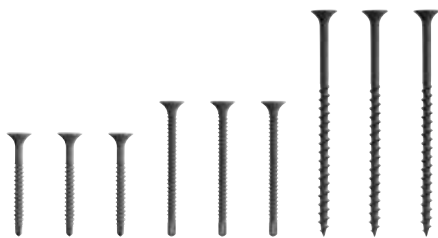
rondella di fissaggio zincata Ø 36 mm

Cod. Art.	CHF / Conf.	crt. (conf.)
KB ZT 36 Z	25,51	10

Conf. = 100 pz.

## Vite tipo cartongesso

### Schlüter®-KERDI-BOARD-ZS



Schlüter-KERDI-BOARD-ZS sono viti filettate, adatte per il fissaggio del pannello Schlüter-KERDI-BOARD a strutture fisse.

(Scheda tecnica 12.1)

#### Schlüter®-KERDI-BOARD-ZS

vite da 35 mm con punta, filettatura sottile

Cod. Art.	CHF / Conf.	crt. (conf.)
KB ZS 35 FB	7,89	10

Conf. = 200 pz.

#### Schlüter®-KERDI-BOARD-ZS

vite da 55 mm con punta, filettatura sottile

Cod. Art.	CHF / Conf.	crt. (conf.)
KB ZS 55 FB	4,85	10

Conf. = 100 pz.

#### Schlüter®-KERDI-BOARD-ZS

vite da 75 mm con punta, filettatura sottile

Cod. Art.	CHF / Conf.	crt. (conf.)
KB ZS 75 G	7,24	10

Conf. = 100 pz.



## Nastro adesivo

## Schlüter®-KERDI-BOARD-ZDK



Schlüter-KERDI-BOARD-ZDK è un nastro biadesivo per il fissaggio dei pannelli Schlüter-KERDI-BOARD tra loro in prossimità delle zone di giunzione o similari.  
(Scheda tecnica 12.1)

## Schlüter®-KERDI-BOARD-ZDK

fascetta biadesiva

B (mm)	L = 10 m Cod. Art.	CHF / pz	crt. (pz.)
12	KB ZDK 12/10M	<b>10,79</b>	10
19	KB ZDK 19/10M	<b>16,71</b>	10
30	KB ZDK 30/10M	<b>26,26</b>	10

## Armatura

## Schlüter®-KERDI-BOARD-ZSA



Schlüter-KERDI-BOARD-ZSA è una fascetta adesiva "coprigiunto" per nastrare le fughe tra singoli pannelli Schlüter-KERDI-BOARD. Il suo utilizzo è indicato qualora si rivestano i pannelli con intonaco o con altri materiali spatolabili.  
(Scheda tecnica 12.1)

## Schlüter®-KERDI-BOARD-ZSA

fascetta adesiva

100 mm x 45 m Cod. Art.	CHF / pz	crt. (pz.)
KB ZSA 100/45M	<b>19,19</b>	10

## Profilo piatto

## Schlüter®-KERDI-BOARD-ZFP



Schlüter-KERDI-BOARD-ZFP è un profilo piatto in materiale plastico che incollato all'interno del profilo a U permette un fissaggio sicuro di elementi di ancoraggio, es. cerniere per porte.  
(Scheda tecnica 12.1)

## Schlüter®-KERDI-BOARD-ZFP

profilo piatto in plastica

35 mm x 2,50 m Cod. Art.	CHF / m	crt. (pz.)
KB ZFP 35	<b>4,95</b>	10



# Sistemi Schlüter

## Balconi e terrazzi con i sistemi Schlüter®-Systems

Per la posa in esterno Schlüter-Systems offre diverse soluzioni specifiche per l'impermeabilizzazione, la desolidarizzazione e/o il drenaggio, in funzione delle situazioni edili riscontrabili. Le stratigrafie presenti nelle prossime pagine sono alcuni esempi di come affrontare situazioni tipiche con i ns. sistemi. I profili come Schlüter-BARA ed i gocciolatoi Schlüter-BARIN sono perfettamente compatibili con il sistema di posa galleggiante Schlüter-TROBA-LEVEL, con il sistema di drenaggio Schlüter-TROBA, con il sistema d'impermeabilizzazione e desolidarizzazione Schlüter-DITRA e con il sistema di drenaggio a capillare passivo e desolidarizzazione Schlüter-DITRA-DRAIN.



## Soluzioni per balconi e terrazze

Esempio di stratigrafia 284–287

## Impermeabilizzazione e separazione in adesione

Schlüter®-DITRA 288

Schlüter®-KERDI 289

## Drenaggio

Schlüter®-DITRA-DRAIN 4 289

Schlüter®-DITRA-DRAIN 8 290

Schlüter®-TROBA-PLUS 291

Schlüter®-TROBA-PLUS-G 292

Schlüter®-TROBA 293

## Pannello a rilievi

Schlüter®-BEKOTEC-DRAIN 290

## Sistemi per posa sopraelevata su supporti e accessori per la posa

Schlüter®-TROBA-STELZ 294

Schlüter®-TROBA-LEVEL 296–298

## Canaline di drenaggio

Schlüter®-TROBA-LINE-TL 299–300

Schlüter®-TROBA-LINE-TLR 300

Schlüter®-TROBA-LINE-TLR-E 301

## Scarico puntuale

Schlüter®-KERDI-DRAIN 303–309

## Profili di chiusura

## con predisposizione per grondaia

Schlüter®-BARA-RTK 311

Schlüter®-BARA-RTKE 312

Schlüter®-BARA-RTKEG 313

Schlüter®-BARA-RKLT 329

Schlüter®-BARA-RTP 330

## Profili di chiusura

Schlüter®-BARA-RAK 315

Schlüter®-BARA-RAKE 316

Schlüter®-BARA-RAKEG 317

Schlüter®-BARA-RKK 318

Schlüter®-BARA-RW 319

Schlüter®-BARA-RKKE 320

Schlüter®-BARA-RKB 321

Schlüter®-BARA-RT 322

Schlüter®-BARA-RTC 323

Schlüter®-BARA-RK 324

Schlüter®-BARA-RWL 325

Schlüter®-BARA-RHA 325

Schlüter®-BARA-RKL 326–327

Schlüter®-BARA-RAP 328

Schlüter®-BARA-FAP 328

## Profili di sostegno per battiscopa

Schlüter®-BARA-ESOT 331

## Sistemi di gronda

Schlüter®-BARIN-SR 332

Schlüter®-BARIN-R 333

## Accessori

Schlüter®-TROBA-ZFK 293

Schlüter®-TROBA-LINE-TLK-E 302

Schlüter®-TROBA-LINE-TL/H 302

Schlüter®-KERDI-DRAIN-SP-E 302

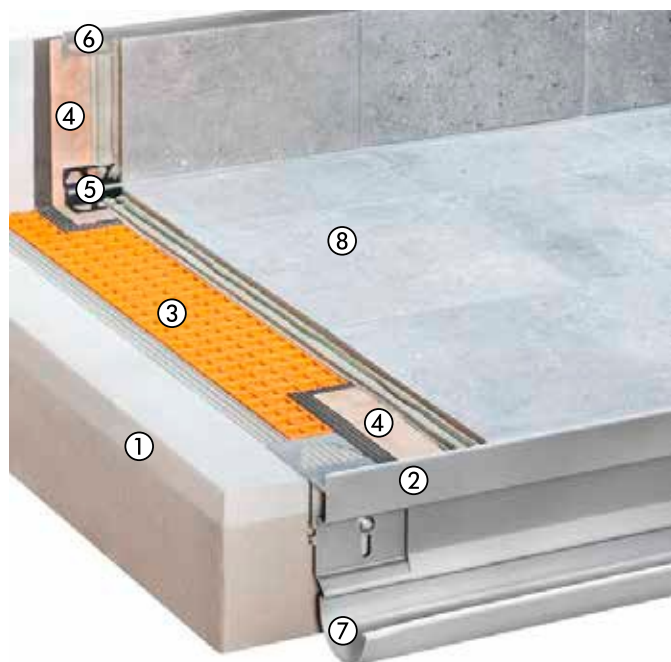
Schlüter®-BARA-HV 327

Schlüter®-BARA-STU 331



## Impermeabilizzazione di un balcone con sistema di desolidarizzazione Schlüter®-DITRA

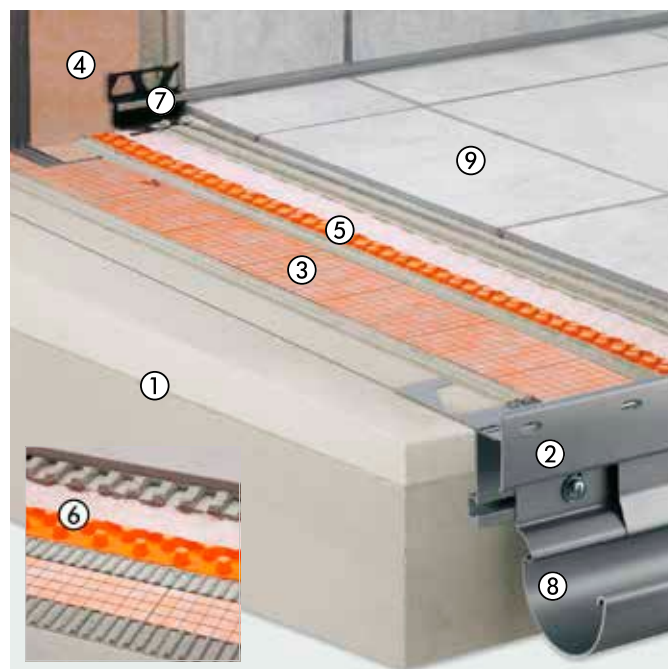
Schlüter-DITRA è un'efficace desolidarizzazione in adesione tra sottofondo e rivestimento ceramico o lapideo. La funzione di desolidarizzazione neutralizza le tensioni che si creano nel sottofondo. Permette d'impermeabilizzare un balcone garantendo anche uno sfogo della pressione vapore derivante da umidità residua nel sottofondo. Fanno parte del sistema le fascette Schlüter-KERDI-KEBA e la colla bicomponente impermeabilizzante Schlüter-KERDI-COLL.



①	Massetto in pendenza	-
②	Schlüter®-BARA-RTKEG	Pagina 313
③	Schlüter®-DITRA	Pagina 288
④	Schlüter®-KERDI-KEBA Schlüter®-KERDI-COLL	Pagina 189 Pagina 196
⑤	Schlüter®-DILEX-EKE Schlüter®-DILEX-EF Schlüter®-DILEX-EK Schlüter®-DILEX-RF	Pagina 138 Pagina 138 Pagina 140 Pagina 139
⑥	Schlüter®-RONDEC Schlüter®-JOLLY Schlüter®-QUADEC	Pagina 72 Pagina 82 Pagina 63
⑦	Schlüter®-BARIN	Pagina 332
⑧	Ceramica o lapideo	-

## Impermeabilizzazione, desolidarizzazione e drenaggio su balcone con sistemi Schlüter®-KERDI e Schlüter®-DITRA-DRAIN

Il sistema qui rappresentato permette d'impermeabilizzare un balcone utilizzando la guaina Schlüter-KERDI. Lo strato di guaina Schlüter-DITRA-DRAIN è posto tra il manto ceramico o lapideo e la guaina impermeabilizzante. Questo garantisce una separazione in adesione del rivestimento dal sottofondo, uno sfogo pressione da vapore da umidità residua e previene il ristagno dell'acqua attraverso la funzione di drenaggio. Il sistema garantisce inoltre una microventilazione sotto il rivestimento favorendo una più corretta asciugatura della colla.



①	Massetto in pendenza	-
②	Schlüter®-BARA-RTKE	Pagina 312
③	Schlüter®-KERDI 200	Pagina 289
④	Schlüter®-KERDI-KEBA Schlüter®-KERDI-COLL	Pagina 189 Pagina 196
⑤	Schlüter®-DITRA-DRAIN 4	Pagina 289
⑥	Schlüter®-DITRA-DRAIN 8	Pagina 290
⑦	Schlüter®-DILEX-EKE Schlüter®-DILEX-EF Schlüter®-DILEX-EK Schlüter®-DILEX-RF	Pagina 138 Pagina 138 Pagina 140 Pagina 139
⑧	Schlüter®-BARIN	Pagina 332
⑨	Ceramica o lapideo	-

## Stratigrafia a basso spessore sopra elemento di tenuta per posa con colla a letto sottile

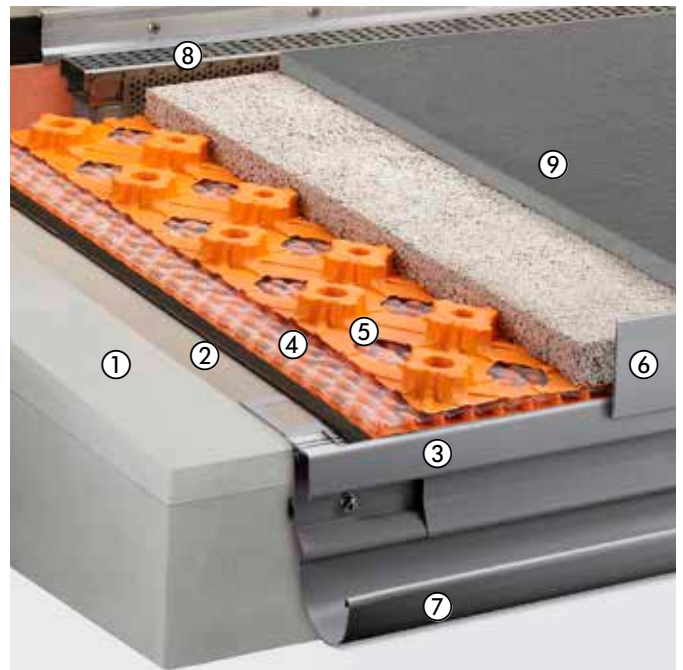
Il sistema garantisce la funzione di protezione e drenaggio sopra l'elemento di tenuta (p.e. "guaina bituminosa") come previsto dalle norme UNI 11493-1 ed UNI 8178-2. Schlüter-BEKOTEC-DRAIN è posato sopra la guaina Schlüter-TROBA-PLUS. Schlüter-DITRA-DRAIN 4 garantisce una separazione in adesione del rivestimento dal sottofondo, uno sfogo pressione da vapore da umidità residua. Il sistema garantisce inoltre un drenaggio ed una microventilazione sotto il rivestimento favorendo una corretta asciugatura della colla.



①	Massetto in pendenza	-
②	Impermeabilizzazione	-
③	Schlüter®-BARA-RTK	Pagina 311
④	Schlüter®-TROBA-PLUS	Pagina 291
⑤	Schlüter®-BEKOTEC-DRAIN	Pagina 290
⑥	Schlüter®-KERDI-KEBA Schlüter®-KERDI-COLL	Pagina 189 Pagina 196
⑦	Schlüter®-DITRA-DRAIN 4	Pagina 289
⑧	Schlüter®-DILEX-EKE Schlüter®-DILEX-EF Schlüter®-DILEX-EK Schlüter®-DILEX-RF	Pagina 138 Pagina 138 Pagina 140 Pagina 139
⑨	Schlüter®-RONDEC Schlüter®-JOLLY Schlüter®-QUADEC	Pagina 72 Pagina 82 Pagina 63
⑩	Schlüter®-BARA-RT	Pagina 322
⑪	Schlüter®-BARIN	Pagina 332
⑫	Ceramica o lapideo	-

## Stratigrafia a basso spessore sopra strato di tenuta per posa "fresco su fresco"

Il sistema qui rappresentato garantisce la funzione di protezione e drenaggio sopra l'elemento di tenuta (p.e. "guaina bituminosa") come previsto dalle norme UNI 11493-1 ed UNI 8178-2. Schlüter-TROBA-PLUS 8G è installata come guaina di drenaggio tra lo strato impermeabilizzante ed il massetto. Schlüter-BEKOTEC-DRAIN permette la realizzazione di un massetto drenante a basso spessore e privo di tensioni che favorisce un rapido deflusso delle acque prevenendone il ristagno nel massetto. La posa del materiale da rivestimento avviene con la tecnica "fresco su fresco" direttamente su massetto.

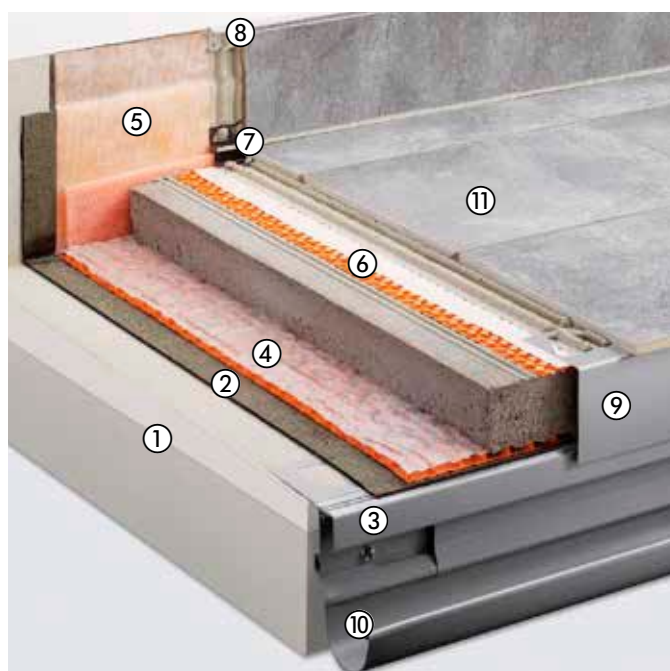


①	Massetto in pendenza	-
②	Impermeabilizzazione	-
③	Schlüter®-BARA-RTK	Pagina 311
④	Schlüter®-TROBA-PLUS 8G	Pagina 292
⑤	Schlüter®-BEKOTEC-DRAIN	Pagina 290
⑥	Schlüter®-BARA-RT	Pagina 322
⑦	Schlüter®-BARIN	Pagina 332
⑧	Schlüter®-TROBA-LINE-TL	Pagina 299
⑨	Ceramica o lapideo	-



## Stratigrafia sopra l'elemento di tenuta per posa in adesione

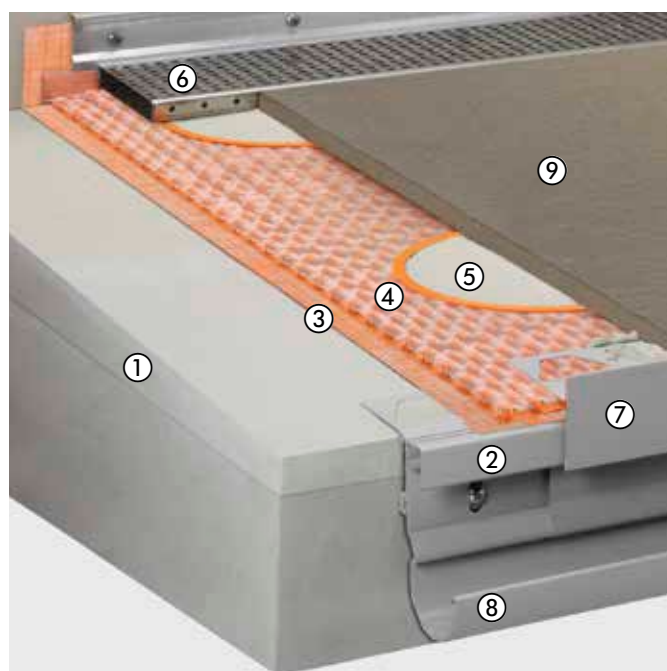
Il sistema garantisce la funzione di protezione e drenaggio sopra l'elemento di tenuta (p.e. "guaina bituminosa") come previsto dalle norme UNI 11493-1 ed UNI 8178-2. Schlüter-TROBA-PLUS è installata come guaina di drenaggio tra lo strato impermeabilizzante ed il massetto. Schlüter-DITRA-DRAIN posto sotto manto ceramico o lapideo garantisce una separazione in adesione del rivestimento dal sottofondo, uno sfogo pressione da vapore da umidità residua e previene il ristagno dell'acqua sotto il rivestimento attraverso la funzione di drenaggio.



- |   |   |  |
|---|---|--|
| ① | Massetto in pendenza  | -  |
| ② | Impermeabilizzazione  | -  |
| ③ | Schlüter®-BARA-RTK  | Pagina 311   |
| ④ | Schlüter®-TROBA-PLUS  | Pagina 291   |
| ⑤ | Schlüter®-KERDI-KEBA<br>Schlüter®-KERDI-COLL  | Pagina 189<br>Pagina 196                             |
| ⑥ | Schlüter®-DITRA-DRAIN 4<br>Schlüter®-DITRA-DRAIN 8                                    | Pagina 289<br>Pagina 290                             |
| ⑦ | Schlüter®-DILEX-EKE<br>Schlüter®-DILEX-EF<br>Schlüter®-DILEX-EK<br>Schlüter®-DILEX-RF | Pagina 138<br>Pagina 138<br>Pagina 140<br>Pagina 139 |
| ⑧ | Schlüter®-RONDEC<br>Schlüter®-JOLLY<br>Schlüter®-QUADEC                               | Pagina 72<br>Pagina 82<br>Pagina 63                  |
| ⑨ | Schlüter®-BARA-RW   | Pagina 319   |
| ⑩ | Schlüter®-BARIN   | Pagina 332   |
| ⑪ | Ceramica o lapideo  | -  |

## Posa galleggiante su Schlüter®-TROBA-PLUS 8G

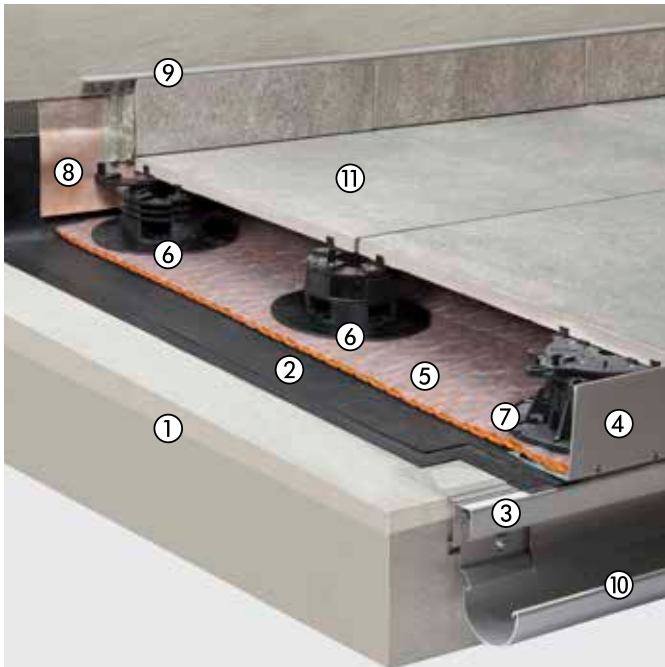
Il sistema Schlüter-TROBA-PLUS 8G garantisce la funzione di protezione e drenaggio sopra un sistema di impermeabilizzazione. Viene così assicurato un rapido deflusso delle acque che penetrano attraverso le fughe aperte e si previene la presenza di acqua stagnante sopra l'impermeabilizzazione realizzata con Schlüter-KERDI 200. Schlüter-TROBA-STELZ-DR sono anelli per creare punti di appoggio e fissaggio con colla per ceramica per il posizionamento degli elementi autoportanti. Gli anelli possono essere rimossi e riutilizzati oppure lasciati "a perdere" in loco.



- |   |                          |            |
|---|--------------------------|------------|
| ① | Massetto in pendenza     | -          |
| ② | Schlüter®-BARA-RTK       | Pagina 311 |
| ③ | Schlüter®-KERDI 200      | Pagina 289 |
| ④ | Schlüter®-TROBA-PLUS 8G  | Pagina 292 |
| ⑤ | Schlüter®-TROBA-STELZ-DR | Pagina 294 |
| ⑥ | Schlüter®-TROBA-LINE-TL  | Pagina 299 |
| ⑦ | Schlüter®-BARA-RT        | Pagina 322 |
| ⑧ | Schlüter®-BARIN          | Pagina 332 |
| ⑨ | Lastre di pietra         | -          |

## Posa sopraelevata su piedini

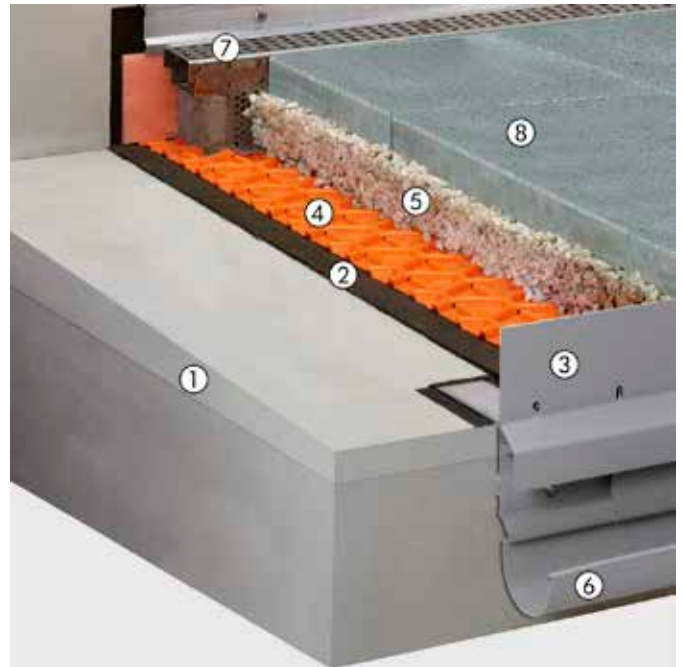
I piedini combinabili a scelta della gamma Schlüter-TROBA-LEVEL rendono possibile la posa di grandi lastre su tutta la superficie. Con i pochi elementi che compongono il sistema è possibile adattare pendenze di diversa entità e realizzare soluzioni specifiche per ogni dettagli di posa. La struttura garantisce un rapido deflusso delle acque che penetrano attraverso le fughe aperte tra i singoli elementi.



- ① Massetto in pendenza –
- ② Impermeabilizzazione si consiglia di installare Schlüter®-TROBA-PLUS con funzione di protezione e di drenaggio sopra la guaina. –
- ③ Schlüter®-BARA-RTK Pagina 311
- ④ Schlüter®-BARA-RWL Pagina 325
- ⑤ Schlüter®-TROBA-PLUS Pagina 291
- ⑥ Schlüter®-TROBA-LEVEL-PLA 30 Pagina 297
- ⑦ Schlüter®-TROBA-LEVEL-PLV 60 Pagina 297
- ⑧ Schlüter®-KERDI-KEBA Pagina 189
- Schlüter®-KERDI-COLL Pagina 196
- ⑨ Schlüter®-RONDEC Pagina 72
- Schlüter®-JOLLY Pagina 82
- Schlüter®-QUADec Pagina 63
- ⑩ Schlüter®-BARIN Pagina 332
- ⑪ Lastre di pietra –

## Posa galleggiante su ghiaia e pietrisco

Il sistema Schlüter-TROBA garantisce la funzione di protezione e drenaggio sopra l'elemento di tenuta (p.e. "guaina bituminosa") come previsto dalla norma. Viene così impedita la formazione di ghiaccio sull'elemento di tenuta. Inoltre, è così assicurato un rapido deflusso delle acque che penetrano attraverso le fughe aperte tra i singoli elementi e si previene la presenza di acqua stagnante sopra l'elemento di tenuta. Grazie alla speciale forma della guaina TROBA i carichi vengono trasferiti direttamente allo strato impermeabile.



- ① Massetto in pendenza –
- ② Impermeabilizzazione –
- ③ Schlüter®-BARA-RKLT Pagina 329
- ④ Schlüter®-TROBA Pagina 293
- ⑤ Strato di ghiaia o pietrisco –
- ⑥ Schlüter®-BARIN Pagina 332
- ⑦ Schlüter®-TROBA-LINE-TL Pagina 299
- ⑧ Lastre di pietra –



# Posa in adesione

Con impermeabilizzazione e desolidarizzazione

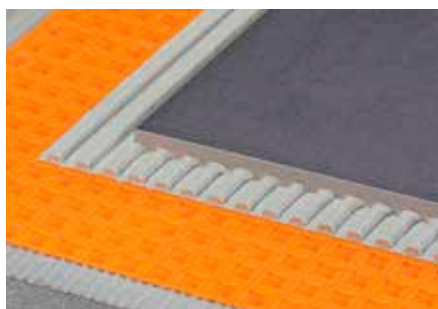
Le estreme sollecitazioni meteorologiche su balconi e terrazze rendono indispensabili una efficace desolidarizzazione tra manto ceramico posato a colla e sottofondo ed una collaudata impermeabilizzazione. Schlüter-DITRA e Schlüter-DITRA-DRAIN sono sistemi che permettono di desolidarizzare il manto ceramico dal sottofondo di posa e di compensare così le tensioni da forza di taglio da attendersi tra questi due strati. Questi sistemi hanno provato la loro efficacia per decenni in tutto il mondo.



Foto: Ströher GmbH

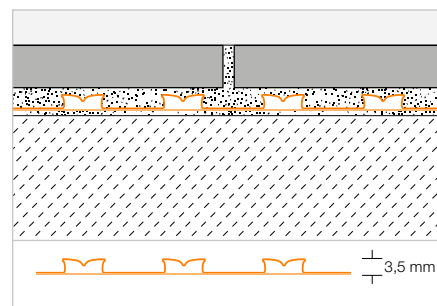
## Separazione in adesione

### Schlüter®-DITRA



Schlüter-DITRA è una guaina in polipropilene, strutturata a quadratini cavi a coda di rondine e con innovativa geometria "Easyfill", rivestita sul retro con un tessuto non tessuto. Un supporto plurifunzionale per rivestimenti in ceramica, che funge da strato impermeabilizzante e desolidarizzante e da sfogo della pressione del vapore.

(Scheda tecnica 6.1)



### Schlüter®-DITRA

rotolo guaina in polipropilene

L x B = m <sup>2</sup>	Cod. Art.	CHF / m <sup>2</sup>	pal. (rotoli)
5,1 x 0,995 = 5	D 5M	<b>26,07</b>	22
30,2 x 0,995 = 30	D 30M	<b>21,60</b>	6

#### Utensile consigliato:

Schlüter-TROWEL, spatola con dentatura 4 x 4, vedi pagina 336.





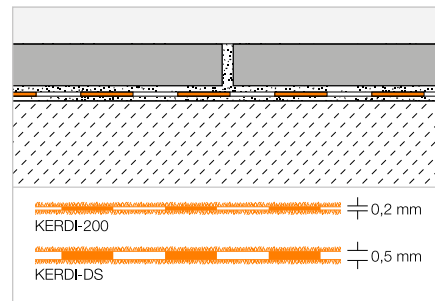
## Sistema di impermeabilizzazione in adesione

## Schlüter®-KERDI



Schlüter-KERDI è una guaina in polietilene munita di un tessuto feltrato su entrambi i lati che ne facilita l'ancoraggio al collante. E' particolarmente adatta come impermeabilizzazione in esterno sotto la guaina di drenaggio Schlüter-TROBA-PLUS oppure in abbinamento con la guaina di drenaggio sotto manto ceramico Schlüter-DITRA-DRAIN.

(Scheda tecnica 8.1)



## Schlüter®-KERDI 200

rotolo in polietilene

L (m)	m <sup>2</sup>	Larghezza = 1,00 m Cod. Art.	CHF / m <sup>2</sup>	pal. (rotoli)
5	5	KERDI 200 / 5M	26,93	75
10	10	KERDI 200 / 10M	24,30	50
30	30	KERDI 200	22,12	20
Larghezza = 1,50 m				
20	30	KERDI 200 150 / 20M	22,12	20
Larghezza = 2,00 m				
15	30	KERDI 200 200 / 15M	22,12	20

## Schlüter®-KERDI-DS

rotolo in polietilene, barriera vapore

L (m)	Larghezza = 1,00 m Cod. Art.	CHF / m <sup>2</sup>	pal. (rotoli)
30	KERDI-DS	25,53	25

## Utensile consigliato:

Schlüter-TROWEL, spatola con dentatura 4 x 4, vedi pagina 336.

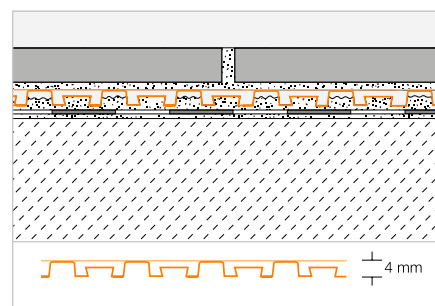
## Drenaggio in adesione

## Schlüter®-DITRA-DRAIN 4



Schlüter-DITRA-DRAIN 4 è una guaina in polietilene che presenta una struttura con rilievi sormontati nella parte superiore da un tessuto non tessuto in polipropilene. Questo efficace sottofondo per rivestimenti in ceramica funge da guaina di drenaggio a capillare passivo e da desolidarizzante tra sottofondo e pavimentazione in ceramica, risultando adatta per svariate applicazioni.

(Scheda tecnica 6.2)



## Schlüter®-DITRA-DRAIN 4

rotolo in polietilene

L (m)	Larghezza = 1,00 m Cod. Art.	CHF / m <sup>2</sup>	pal. (rotoli)
10	DITRA-DRAIN 10M	27,20	12
25	DITRA-DRAIN 25M	24,54	6

## Schlüter®-DITRA-DRAIN-STU

nastro autoadesivo per sormonti e raccordi

L (m)	Larghezza = 90 mm Cod. Art.	CHF / m	crt. (pz.)
5	STUV KB 90/ 5M	9,17	10
30	STUV KB 90/30M	8,10	10



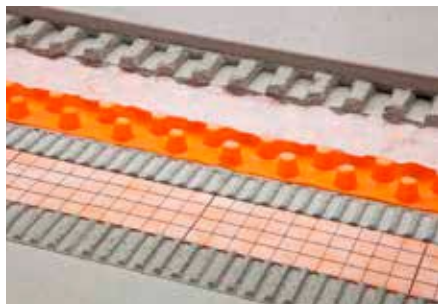
## Utensile consigliato:

Schlüter-TROWEL, spatola con dentatura 6 x 6, vedi pagina 336.



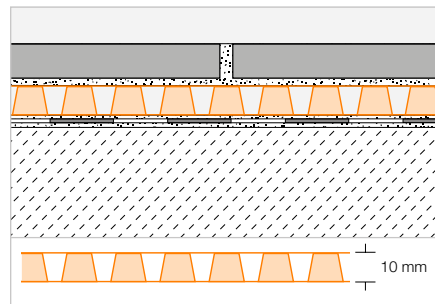
## Drenaggio in adesione

### Schlüter®-DITRA-DRAIN 8



Schlüter-DITRA-DRAIN 8 è una guaina in polietilene con una struttura a rilievi. Il lato inferiore è provvisto di uno speciale tessuto per l'ancoraggio del collante e il lato superiore di uno speciale tessuto filtrante. Schlüter-DITRA-DRAIN 8 è un sottofondo universale per superfici piastrellabili, funge da separazione in adesione e da sistema drenante a capillare passivo, resistente nel tempo.

(Scheda tecnica 6.2)



#### Schlüter®-DITRA-DRAIN 8

rotolo in polietilene

L (m)	Larghezza = 1,00 m Cod. Art.	CHF / m <sup>2</sup>	pal. (rotoli)
12,5	DITRA-DRAIN 8 12M	26,07	6

#### Schlüter®-DITRA-DRAIN-STU

nastro autoadesivo per sormonti e raccordi

L (m)	Larghezza = 90 mm Cod. Art.	CHF / m	crt. (pz.)
5	STUV KB 90/ 5M	9,17	10
30	STUV KB 90/30M	8,10	10

#### Utensile consigliato:

Schlüter-TROWEL, spatola con dentatura 4 x 4, vedi pagina 336.

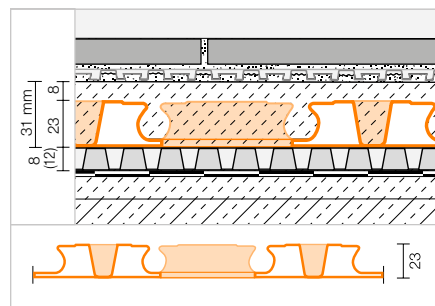
## Pannello a rilievi

### Schlüter®-BEKOTEC-DRAIN



Schlüter-BEKOTEC-DRAIN è un collaudato sistema di sottofondo per l'esterno. Per realizzare un massetto drenato, a basso spessore, privo di tensioni e di deformazioni che garantisce l'assenza di crepe nel rivestimento in ceramica o in pietra naturale, ad es. in abbinamento con TROBA-PLUS.

(Scheda tecnica 9.3)



#### Schlüter®-BEKOTEC-EN 23 FD

pannello

120 x 90 cm = 1,08 m <sup>2</sup> Cod. Art.	CHF / m <sup>2</sup>	crt. (pz.)
EN 23 FD	23,47	20



# Schlüter®-TROBA-PLUS

Veloce da posare – elevata resistenza al carico



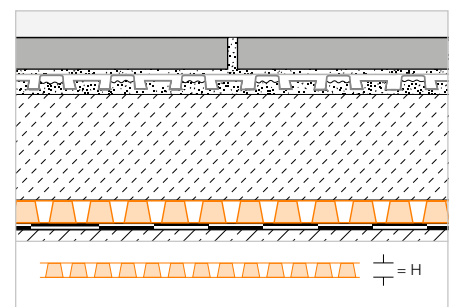
- ✓ Drenaggio per pavimentazioni in esterno
- ✓ Protezione degli elementi di tenuta
- ✓ Drenaggio con altezza 8 o 12 mm
- ✓ Distribuzione del carico fino a 39 t/m<sup>2</sup>

## Drenaggio

### Schlüter®-TROBA-PLUS



Schlüter-TROBA-PLUS è una guaina di drenaggio. E' costituita da rilievi a forma di tronco di cono, altamente resistenti al carico, coperti da un tessuto permeabile all'acqua. Lo spazio continuo che la guaina crea su tutta la superficie favorisce il deflusso delle acque. (Scheda tecnica 7.2)



#### Schlüter®-TROBA-PLUS 8

rotolo in polietilene

H (mm)	12,5 x 1 m = 12,5 m <sup>2</sup> Cod. Art.	CHF / m <sup>2</sup>	pal. (rotoli)
8	TROBA-PLUS 8	22,73	6

#### Schlüter®-TROBA-PLUS 12

rotolo in polietilene

H (mm)	10 x 1 m = 10 m <sup>2</sup> Cod. Art.	CHF / m <sup>2</sup>	pal. (rotoli)
12	TROBA-PLUS 12	25,10	6

#### Schlüter®-DITRA-DRAIN-STU

nastro autoadesivo per sormonti e raccordi

L (m)	Larghezza = 90 mm Cod. Art.	CHF / m	crt. (pz.)
5	STUV KB 90/ 5M	9,17	10
30	STUV KB 90/30M	8,10	10



# Schlüter®-TROBA-PLUS-G

## Drenaggio a capillare passivo

Prodotto collaudato per un sicuro ed efficace drenaggio di acqua da balconi e terrazzi

- ✓ Particolarmente indicato in abbinamento con massetti drenanti
- ✓ Protezione degli elementi di tenuta
- ✓ Distribuzione del carico fino a 39 t/m<sup>2</sup>
- ✓ La pavimentazione poggia in tutta la superficie su una struttura con rilievi a forma di tronco di cono
- ✓ Lo spazio drenante aperto garantisce una microventilazione e il deflusso delle acque



© Villeroy & Boch Fliesen

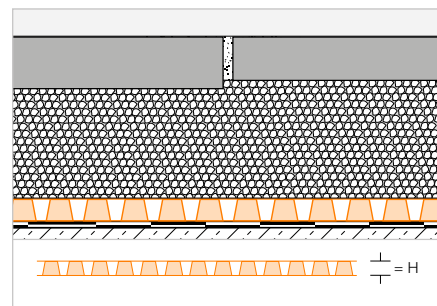
### Drenaggio

## Schlüter®-TROBA-PLUS-G



Schlüter-TROBA-PLUS-G è una guaina di drenaggio. E' costituita da rilievi a forma di tronco di cono, altamente resistenti al carico, coperti da un tessuto permeabile all'acqua. Lo spazio continuo che la guaina crea su tutta la superficie favorisce il deflusso delle acque. Schlüter-TROBA-PLUS 8G è particolarmente indicata per essere utilizzata con massetti drenanti.

(Scheda tecnica 7.2)



### Schlüter®-TROBA-PLUS 8G

rotolo in polietilene

H (mm)	12,5 x 1 m = 12,5 m <sup>2</sup> Cod. Art.	CHF / m <sup>2</sup>	pal. (rotoli)
8	TROBA-PLUS 8G	26,56	6

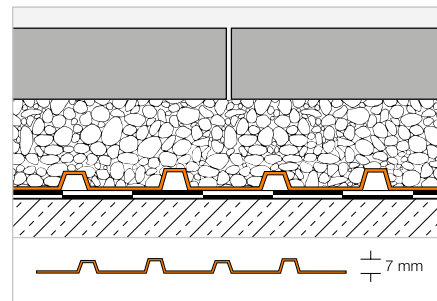
## Drenaggio

## Schlüter®-TROBA



Schlüter-TROBA è una guaina di drenaggio e di protezione adatta per essere posata su impermeabilizzazioni orizzontali. È costituita da una guaina in polietilene sagomata e dotata di fori, resistente alla pressione, che consente all'acqua di defluire sull'impermeabilizzazione sottostante e di scorrere verso gli scarichi. Per la posa di piastrelle su massetto è indicato realizzare una ulteriore separazione ed impermeabilizzazione estradosso con Schlüter-DITRA.

(Scheda tecnica 7.1)



## Schlüter®-TROBA-MA

guaina in polietilene

1 x 1 m = 1 m <sup>2</sup> Cod. Art.	CHF / m <sup>2</sup>	pal. (pz.)
TROBA-MA	20,81	220

## Schlüter®-TROBA-RO

rotolo in polietilene

20 x 1 m = 20 m <sup>2</sup> Cod. Art.	CHF / m <sup>2</sup>	pal. (rotoli)
TROBA-RO	20,17	6

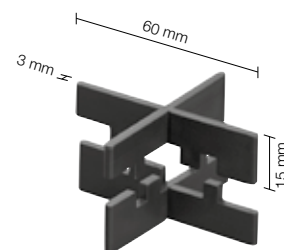
## Crocetta

## Schlüter®-TROBA-ZFK



Schlüter-TROBA-ZFK sono crocette per ottenere una fuga aperta omogenea in caso di posa galleggiante di lastre in ceramica, pietra naturale o cemento su un letto di ghiaia o pietrisco, per esempio su Schlüter-TROBA. La larghezza della fuga è di 3 mm e l'altezza della crocetta è di 15 mm. E' possibile raddoppiare questa altezza incastrando due crocette tra di loro.

(Scheda tecnica 7.6)



## Schlüter®-TROBA-ZFK

crocetta (3 mm)

H (mm)	Cod. Art.	CHF / Conf.	crt. (conf.)
15	TZ FK 3	21,39	60

Conf. = 50 pz.



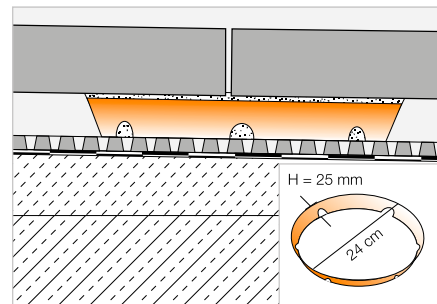
## Sistema per posa sopraelevata

### Schlüter®-TROBA-STELZ-MR



Schlüter-TROBA-STELZ-MR sono anelli in materiale plastico da riempire con punti di malta, che rendono più agevole la posa di lastre di grandi dimensioni su balconi e terrazzi. Gli anelli hanno un'altezza di 25 mm e vengono posizionati nei punti di incrocio tra le singole lastre.

(Scheda tecnica 7.3)



### Schlüter®-TROBA-STELZ-MR

polietilene

Cod. Art.	CHF / pz	pal. (pz.)
TROBA-STELZ	1,68	3000

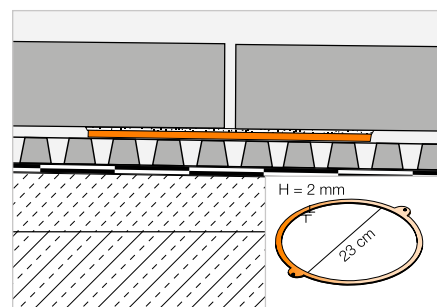
Conf. = 50 pz.

### Schlüter®-TROBA-STELZ-DR



Schlüter-TROBA-STELZ-DR sono anelli "a cassero" da utilizzare per la posa a punti di colla su Schlüter-TROBA-PLUS 8G. Dopo la posa a punti di colla, gli anelli possono essere rimossi e riutilizzati oppure lasciati "a perdere" in loco.

(Scheda tecnica 7.5)



### Schlüter®-TROBA-STELZ-DR

polietilene

Cod. Art.	CHF / Conf.	crt. (conf.)
TROBA-STELZ-DR	13,42	100

Conf. = 10 pz.

# Grandi formati

La tranquillità di un sistema completo e collaudato

I grandi formati con spessore 2 cm sempre di più conquistano i nostri balconi e terrazzi. Questa tipologia si presta particolarmente per una posa galleggiante a fuga aperta. Schlüter-Systems offre diverse soluzioni e sistemi completi per questa modalità di installazione. Per esempio Schlüter-TROBA-LEVEL (da pag. 296), Schlüter-TROBA-PLUS 8G (pag. 292), Schlüter-TROBA-STELZ-DR (pag. 294) e Schlüter-BARA-RKL (pag. 326).





# Schlüter®-TROBA-LEVEL

Posa galleggiante – stabile e precisa al millimetro



Con Schlüter-TROBA-LEVEL è possibile posare lastre autoportanti su balconi e terrazzi in modo veloce, semplice e stabile. Con i pochi elementi che compongono il sistema, liberamente combinabili tra di loro in cantiere, è possibile adattare pendenze di diversa entità e realizzare soluzioni specifiche per ogni dettaglio di posa. Il tutto con altezze a partire da 3 mm!

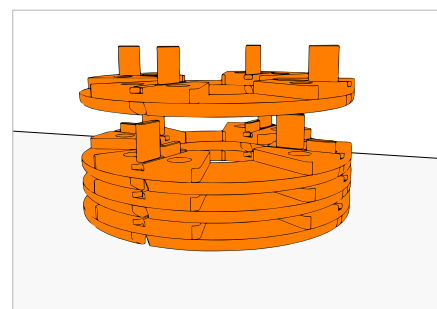
- ✓ **Compensazione di dislivelli, per esempio in presenza di giunti di saldature di guaine bituminose.**
- ✓ **Posa stabile, non “traballante”, grazie ad un livellamento preciso al millimetro.**
- ✓ **Protezione antisvitamento.**
- ✓ **Freno antivibrazioni – impedisce la torsione in caso di sollecitazioni.**

## Sistema per posa sopraelevata

### Schlüter®-TROBA-LEVEL-PL 10



Schlüter-TROBA-LEVEL-PL10 sono adattatori di altezza sovrapponibili per sostenere le lastre – indipendentemente dal loro formato e spessore. Sono realizzati in una speciale plastica che attutisce i rumori da calpestio e possono essere posati direttamente sull'impermeabilizzazione. I distanziatori consentono una posa della pavimentazione con omogenea fuga aperta di 3 mm ed impediscono il disallineamento delle lastre in fase di esercizio. TROBA-LEVEL-PL 10 possono essere sovrapposti fino ad un'altezza di 200 mm e sono combinabili con altri elementi della gamma.



#### Schlüter®-TROBA-LEVEL-PL 10

adattatore di altezza in PE, Ø 120 mm

H (mm)	Cod. Art.	CHF / pz	crt. (pz.)
10	TL PL 10	3,54	100

(Scheda tecnica 7.6)



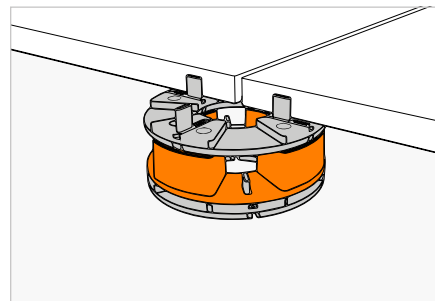
## Sistema per posa sopraelevata

## Schlüter®-TROBA-LEVEL-PLA 30



Schlüter-TROBA-LEVEL-PLA 30 sono adattatori di altezza per supporti per la posa galleggiante di lastre. Per installazioni con altezza di montaggio a partire da 50 mm. Uno o più adattatori TROBA-LEVEL-PLA 30 vengono inseriti tra due supporti Schlüter-TROBA-LEVEL-PL 10. TROBA-LEVEL-PLA 30 possono essere sovrapposti fino ad un'altezza di 300 mm e possono essere abbinati con TROBA-LEVEL-PLV 60 e/o con TROBA-LEVEL-LV 3.

(Scheda tecnica 7.6)



## Schlüter®-TROBA-LEVEL-PLA 30

adattatore in PE, Ø 120 mm

H (mm)	Cod. Art.	CHF / pz	crt. (pz.)
30	TL PLA 30	4,28	52

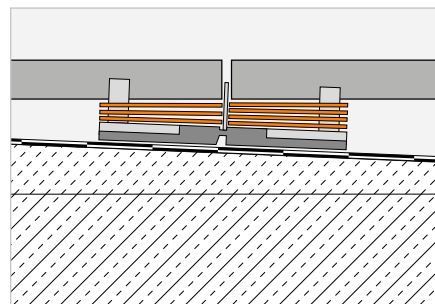


## Schlüter®-TROBA-LEVEL-AP 1



Schlüter-TROBA-LEVEL-AP 1 sono piastrine di livellamento a quarto di cerchio, che servono come spessoramento per la precisa regolazione delle lastre da posare in diverse situazioni di pendenza. Possono essere livellati spessori diversi tra singole lastre (caso tipico nel caso di pietre a spacco), possono essere compensati eventuali irregolarità del sottofondo o corrette leggere pendenze (fino a 10 mm per ogni angolo di ciascuna lastra).

(Scheda tecnica 7.6)



## Schlüter®-TROBA-LEVEL-AP 1

piastrina di livellamento a quarto di cerchio, in PE

H (mm)	Cod. Art.	CHF / Conf.	crt. (conf.)
1	TL AP 1	46,34	8

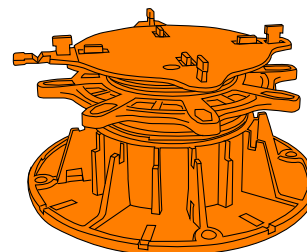
Conf. = 250 pz.

## Schlüter®-TROBA-LEVEL-PLV 60



Schlüter-TROBA-LEVEL-PLV 60 sono supporti girevoli (piedini) con anello a due filetti con rotazione contrapposta per la regolazione dell'altezza da 60 a 130 mm. Un'unica geometria di aggancio maschio/femmina della parte superiore ed inferiore (Ø 120 mm), rende i singoli componenti del sistema compatibili tra di loro e permette di creare composizioni individuali di sovrapposizione tra i diversi elementi, TROBA-LEVEL-PL 10 e -PLA 30. All'occorrenza è possibile eseguire la regolazione di precisione dell'altezza ed il livellamento delle pendenze con le piastrine, TROBA-LEVEL-AP 1. Sovrapponendo tra loro due o più elementi TROBA-LEVEL-PLV 60, si raggiungono altezze di montaggio fino a 520 mm. La parte superiore del piedino è dotata di distanziatori spessi 3 mm e dispone esternamente di una sporgenza supplementare.

(Scheda tecnica 7.6)



## Schlüter®-TROBA-LEVEL-PLV 60

piedino in PP, base Ø 200 mm

H (mm)	Cod. Art.	CHF / pz	crt. (pz.)
60-130	TL PLV 60	13,70	48



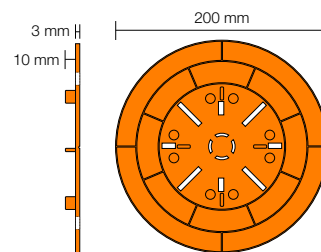
## Sistema per posa sopraelevata

### Schlüter®-TROBA-LEVEL-LV 3



Schlüter-TROBA-LEVEL-LV 3 sono basi per la distribuzione del carico in combinazione con gli elementi TROBA-LEVEL-PL 10, -PLA 30 e -AP 1. Con la sola base si possono anche eseguire pose galleggianti con altezza molto ridotta. TROBA-LEVEL-LV 3 è provvisto di distanziatori spessi 3 mm per la fuga ed in caso di necessità può essere tagliato a misura.

(Scheda tecnica 7.6)



#### Schlüter®-TROBA-LEVEL-LV 3

base in PP, Ø 200 mm

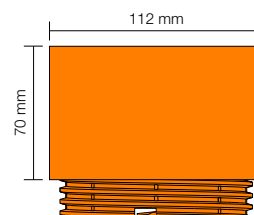
H (mm)	Cod. Art.	CHF / pz	crt. (pz.)
3	TL LV 3	5,71	100

### Schlüter®-TROBA-LEVEL-PLA 70



Schlüter-TROBA-LEVEL-PLA 70 sono adattatori di altezza per sostegni di rivestimenti in lastre. Vengono avvitati nella base dell'elemento TROBA-LEVEL-PLV 60.

(Scheda tecnica 7.6)



#### Schlüter®-TROBA-LEVEL-PLA 70

adattatore in PP

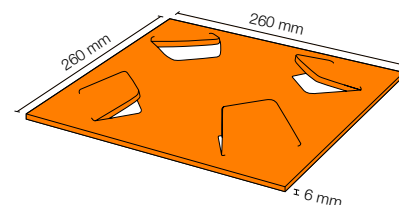
H (mm)	Cod. Art.	CHF / pz	crt. (pz.)
70	TL PLA 70	8,70	30

### Schlüter®-TROBA-LEVEL-PLS 6



Schlüter-TROBA-LEVEL-PLS 6 sono tappetini di appoggio bifacciali, in granulato di gomma e foglio di alluminio, per la protezione dell'impermeabilizzazione. La parte inferiore dei supporti TROBA-LEVEL-PLV 60 o delle basi TROBA-LEVEL-LV 3 deve essere collocata negli inviti pre-intagliati del tappetino protettivo TROBA-LEVEL-PLS 6 (6 mm). In caso di impermeabilizzazioni in PVC, rivolgere lo strato di separazione in alluminio del tappetino protettivo verso il basso. In caso di utilizzo dei piedini TROBA-LEVEL-PL 10, questi devono essere posizionati al centro dei tappetini.

(Scheda tecnica 7.6)



#### Schlüter®-TROBA-LEVEL-PLS 6

tappetino bifacciale

H (mm)	Cod. Art.	CHF / Conf.	crt. (conf.)
6	TL PLS 6	36,36	5

Conf. = 10 pz.

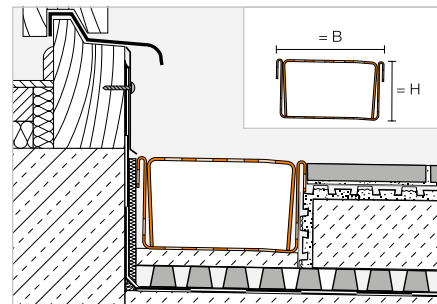
## Canaletta drenante | Rinforzo

## Schlüter®-TROBA-LINE-TL



Schlüter-TROBA-LINE-TL è una canaletta drenante in acciaio inossidabile per balconi e terrazzi utilizzata per evitare il ristagno dell'acqua in corrispondenza delle soglie. Inoltre può essere utilizzata come canaletta di drenaggio da superficie.

(Scheda tecnica 7.4)



## Schlüter®-TROBA-LINE-TL

acciaio inossidabile V2A, canaletta traforata,  
B = 75 mm

H (mm)	L = 2,00 m Cod. Art.	CHF / pz	cassa (pz.)
20	TL2 V2A 75/200	<b>263,14</b>	60
40	TL4 V2A 75/200	<b>313,32</b>	60
L = 1,50 m			
20	TL2 V2A 75/150	<b>203,21</b>	60
40	TL4 V2A 75/150	<b>240,89</b>	60
L = 1,00 m			
20	TL2 V2A 75/100	<b>143,28</b>	60
40	TL4 V2A 75/100	<b>168,40</b>	60
L = 0,75 m			
20	TL2 V2A 75/ 75	<b>113,33</b>	60
40	TL4 V2A 75/ 75	<b>132,16</b>	60

## Schlüter®-TROBA-LINE-TL

acciaio inossidabile V2A, canaletta traforata,  
B = 110 mm

H (mm)	L = 2,00 m Cod. Art.	CHF / pz	cassa (pz.)
20	TL2 V2A 110/200	<b>309,89</b>	40
40	TL4 V2A 110/200	<b>360,05</b>	40
L = 1,50 m			
20	TL2 V2A 110/150	<b>238,34</b>	40
40	TL4 V2A 110/150	<b>275,97</b>	40
L = 1,00 m			
20	TL2 V2A 110/100	<b>166,71</b>	40
40	TL4 V2A 110/100	<b>191,80</b>	40
L = 0,75 m			
20	TL2 V2A 110/ 75	<b>130,89</b>	40
40	TL4 V2A 110/ 75	<b>149,70</b>	40

## Schlüter®-TROBA-LINE-TL

acciaio inossidabile V2A, canaletta traforata,  
B = 160 mm

H (mm)	L = 2,00 m Cod. Art.	CHF / pz	cassa (pz.)
20	TL2 V2A 160/200	<b>378,87</b>	40
40	TL4 V2A 160/200	<b>429,04</b>	40
L = 1,50 m			
20	TL2 V2A 160/150	<b>290,05</b>	40
40	TL4 V2A 160/150	<b>327,63</b>	40
L = 1,00 m			
20	TL2 V2A 160/100	<b>201,17</b>	40
40	TL4 V2A 160/100	<b>226,24</b>	40
L = 0,75 m			
20	TL2 V2A 160/ 75	<b>156,74</b>	40
40	TL4 V2A 160/ 75	<b>175,56</b>	40

## Schlüter®-TROBA-LINE-TLG

acciaio inossidabile V2A, canaletta chiusa,  
B = 75 mm

H (mm)	L = 2,00 m Cod. Art.	CHF / pz	cassa (pz.)
20	TLG2 V2A 75/200	<b>263,14</b>	60
40	TLG4 V2A 75/200	<b>313,32</b>	60
L = 1,50 m			
20	TLG2 V2A 75/150	<b>203,21</b>	60
40	TLG4 V2A 75/150	<b>240,89</b>	60
L = 1,00 m			
20	TLG2 V2A 75/100	<b>143,28</b>	60
40	TLG4 V2A 75/100	<b>168,40</b>	60
L = 0,75 m			
20	TLG2 V2A 75/ 75	<b>113,33</b>	60
40	TLG4 V2A 75/ 75	<b>132,16</b>	60

## Schlüter®-TROBA-LINE-TLG

acciaio inossidabile V2A, canaletta chiusa,  
B = 110 mm

H (mm)	L = 2,00 m Cod. Art.	CHF / pz	cassa (pz.)
20	TLG2 V2A 110/200	<b>309,89</b>	40
40	TLG4 V2A 110/200	<b>360,05</b>	40
L = 1,50 m			
20	TLG2 V2A 110/150	<b>238,34</b>	40
40	TLG4 V2A 110/150	<b>275,97</b>	40
L = 1,00 m			
20	TLG2 V2A 110/100	<b>166,71</b>	40
40	TLG4 V2A 110/100	<b>191,80</b>	40
L = 0,75 m			
20	TLG2 V2A 110/ 75	<b>130,89</b>	40
40	TLG4 V2A 110/ 75	<b>149,70</b>	40

## Schlüter®-TROBA-LINE-TLG

acciaio inossidabile V2A, canaletta chiusa,  
B = 160 mm

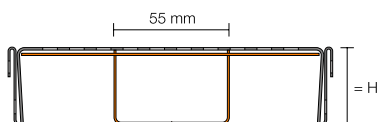
H (mm)	L = 2,00 m Cod. Art.	CHF / pz	cassa (pz.)
20	TLG2 V2A 160/200	<b>378,87</b>	40
40	TLG4 V2A 160/200	<b>429,04</b>	40
L = 1,50 m			
20	TLG2 V2A 160/150	<b>290,05</b>	40
40	TLG4 V2A 160/150	<b>327,63</b>	40
L = 1,00 m			
20	TLG2 V2A 160/100	<b>201,17</b>	40
40	TLG4 V2A 160/100	<b>226,24</b>	40
L = 0,75 m			
20	TLG2 V2A 160/ 75	<b>156,74</b>	40
40	TLG4 V2A 160/ 75	<b>175,56</b>	40



### Schlüter®-TROBA-LINE-TL/V

rinforzo per TL e TLG, acciaio inossidabile V2A

H (mm)	L = 2,00 m Cod. Art.	CHF / pz	cassa (pz.)
20	TL2 V / 200	<b>120,34</b>	60
40	TL4 V / 200	<b>150,00</b>	60
	<b>L = 1,50 m</b>		
20	TL2 V / 150	<b>90,27</b>	60
40	TL4 V / 150	<b>112,48</b>	60



### Schlüter®-TROBA-LINE-TL/V

rinforzo per TL e TLG, acciaio inossidabile V2A

H (mm)	L = 1,00 m Cod. Art.	CHF / pz	cassa (pz.)
20	TL2 V / 100	<b>60,16</b>	60
40	TL4 V / 100	<b>75,05</b>	60
	<b>L = 0,75 m</b>		
20	TL2 V / 75	<b>45,12</b>	60
40	TL4 V / 75	<b>56,25</b>	60

#### Nota:

Per ogni canaletta di drenaggio Schlüter-TROBA-LINE-TL sono inclusi due connettori / terminali.

Nel caso di carichi superiori, ad es. in corrispondenza di zone di passaggio pedonale o con sedie a rotelle, è consigliato utilizzare il rinforzo Schlüter-TROBA-LINE-TL/V per le misure 110 e 160 mm (da ordinare separatamente).

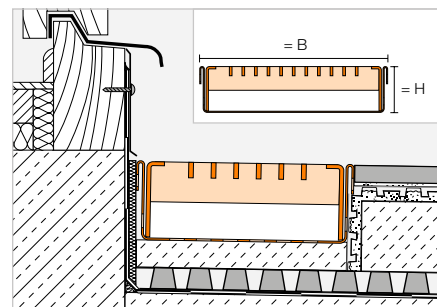
### Canaletta drenante

### Schlüter®-TROBA-LINE-TLR



Schlüter-TROBA-LINE-TLR è una canaletta drenante per balconi e terrazzi con la parte inferiore in acciaio inossidabile e la griglia superiore zincata, utilizzata per evitare il ristagno dell'acqua in corrispondenza delle soglie. Può essere utilizzata anche come canaletta di drenaggio da superficie.

(Scheda tecnica 7.4)



### Schlüter®-TROBA-LINE-TLR

canaletta traforata, griglia zincata,  
B = 110 mm

H (mm)	L = 2,00 m Cod. Art.	CHF / pz	cassa (pz.)
20	TL2 R 110/200	<b>322,73</b>	40
40	TL4 R 110/200	<b>462,02</b>	40
	<b>L = 1,50 m</b>		
20	TL2 R 110/150	<b>268,13</b>	40
40	TL4 R 110/150	<b>393,09</b>	40
	<b>L = 1,00 m</b>		
20	TL2 R 110/100	<b>173,07</b>	40
40	TL4 R 110/100	<b>242,75</b>	40
	<b>L = 0,75 m</b>		
20	TL2 R 110/ 75	<b>145,81</b>	40
40	TL4 R 110/ 75	<b>208,29</b>	40

### Schlüter®-TROBA-LINE-TLR

canaletta traforata, griglia zincata,  
B = 160 mm

H (mm)	L = 2,00 m Cod. Art.	CHF / pz	cassa (pz.)
20	TL2 R 160/200	<b>391,64</b>	40
40	TL4 R 160/200	<b>526,58</b>	40
	<b>L = 1,50 m</b>		
20	TL2 R 160/150	<b>325,84</b>	40
40	TL4 R 160/150	<b>447,55</b>	40
	<b>L = 1,00 m</b>		
20	TL2 R 160/100	<b>207,55</b>	40
40	TL4 R 160/100	<b>275,08</b>	40
	<b>L = 0,75 m</b>		
20	TL2 R 160/ 75	<b>174,64</b>	40
40	TL4 R 160/ 75	<b>235,45</b>	40

#### Nota:

Per ogni canaletta di drenaggio TROBA-LINE-TLR sono inclusi due connettori / terminali.

La griglia della canaletta da 1,50 m e 2,00 m è suddivisa in due pezzi (rispettivamente 2 x 0,75 m e 2 x 1,00 m).

### Schlüter®-TROBA-LINE-TLGR

canaletta chiusa, griglia zincata,  
B = 110 mm

H (mm)	L = 2,00 m Cod. Art.	CHF / pz	cassa (pz.)
40	TLG4 R 110/200	<b>462,02</b>	40
	<b>L = 1,50 m</b>		
40	TLG4 R 110/150	<b>320,17</b>	40
	<b>L = 1,00 m</b>		
40	TLG4 R 110/100	<b>242,75</b>	40
	<b>L = 0,75 m</b>		
40	TLG4 R 110/ 75	<b>171,77</b>	40

### Schlüter®-TROBA-LINE-TLGR

canaletta chiusa, griglia zincata,  
B = 160 mm

H (mm)	L = 2,00 m Cod. Art.	CHF / pz	cassa (pz.)
40	TLG4 R 160/200	<b>526,58</b>	40
	<b>L = 1,50 m</b>		
40	TLG4 R 160/150	<b>447,55</b>	40
	<b>L = 1,00 m</b>		
40	TLG4 R 160/100	<b>275,08</b>	40
	<b>L = 0,75 m</b>		
40	TLG4 R 160/ 75	<b>235,45</b>	40

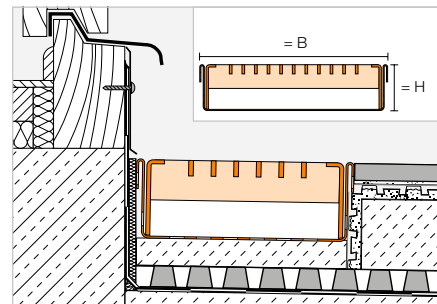
## Canaletta drenante

## Schlüter®-TROBA-LINE-TLR-E



Schlüter-TROBA-LINE-TLR-E è una canaletta drenante per balconi e terrazzi con griglia superiore in acciaio inossidabile lucidato, utilizzata per evitare il ristagno dell'acqua in corrispondenza delle soglie. Può essere utilizzata anche come canaletta di drenaggio da superficie.

(Scheda tecnica 7.4)



## Schlüter®-TROBA-LINE-TLR-E

canaletta traforata, griglia acciaio inossidabile V2A, B = 110 mm

H (mm)	L = 2,00 m Cod. Art.	CHF / pz	cassa (pz.)
20	TL2 R EP 110/200	<b>532,90</b>	40
40	TL4 R EP 110/200	<b>688,85</b>	40
L = 1,50 m			
20	TL2 R EP 110/150	<b>458,51</b>	40
40	TL4 R EP 110/150	<b>596,11</b>	40
L = 1,00 m			
20	TL2 R EP 110/100	<b>278,11</b>	40
40	TL4 R EP 110/100	<b>356,09</b>	40
L = 0,75 m			
20	TL2 R EP 110/ 75	<b>240,94</b>	40
40	TL4 R EP 110/ 75	<b>309,72</b>	40

## Schlüter®-TROBA-LINE-TLR-E

canaletta traforata, griglia acciaio inossidabile V2A, B = 160 mm

H (mm)	L = 2,00 m Cod. Art.	CHF / pz	cassa (pz.)
20	TL2 R EP 160/200	<b>698,12</b>	40
40	TL4 R EP 160/200	<b>853,58</b>	40
L = 1,50 m			
20	TL2 R EP 160/150	<b>606,94</b>	40
40	TL4 R EP 160/150	<b>737,25</b>	40
L = 1,00 m			
20	TL2 R EP 160/100	<b>360,70</b>	40
40	TL4 R EP 160/100	<b>438,42</b>	40
L = 0,75 m			
20	TL2 R EP 160/ 75	<b>315,12</b>	40
40	TL4 R EP 160/ 75	<b>380,28</b>	40

## Nota:

Per ogni canaletta di drenaggio TROBA-LINE-TLR-E sono inclusi due connettori / terminali.

La griglia visibile della canaletta TROBA-LINE-TLR-E da 1,50 m (2 x 0,75 m) e 2,00 m (2 x 1,00 m) è suddivisa in due parti (2 x 0,75 e 2 x 1,00 m).

## Schlüter®-TROBA-LINE-TLGR-E

canaletta chiusa, griglia acciaio inossidabile V2A, B = 110 mm

H (mm)	L = 2,00 m Cod. Art.	CHF / pz	cassa (pz.)
40	TLG4 R EP 110/200	<b>688,85</b>	40
L = 1,50 m			
40	TLG4 R EP 110/150	<b>596,11</b>	40
L = 1,00 m			
40	TLG4 R EP 110/100	<b>356,09</b>	40
L = 0,75 m			
40	TLG4 R EP 110/ 75	<b>309,72</b>	40

## Schlüter®-TROBA-LINE-TLGR-E

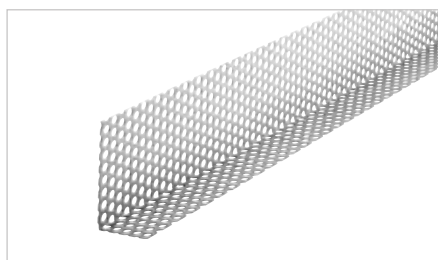
canaletta chiusa, griglia acciaio inossidabile V2A, B = 160 mm

H (mm)	L = 2,00 m Cod. Art.	CHF / pz	cassa (pz.)
40	TLG4 R EP 160/200	<b>853,58</b>	40
L = 1,50 m			
40	TLG4 R EP 160/150	<b>737,25</b>	40
L = 1,00 m			
40	TLG4 R EP 160/100	<b>438,42</b>	40
L = 0,75 m			
40	TLG4 R EP 160/ 75	<b>380,28</b>	40

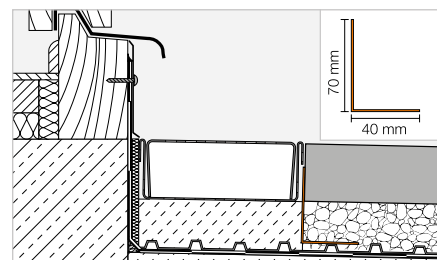


## Profilo contenimento ghiaia

### Schlüter®-TROBA-LINE-TLK-E



Schlüter-TROBA-LINE-TLK-E è un profilo in acciaio per il contenimento della ghiaia, da applicarsi sul bordo della pavimentazione. (Scheda tecnica 7.4)



#### Schlüter®-TROBA-LINE-TLK-E

acciaio inossidabile V2A

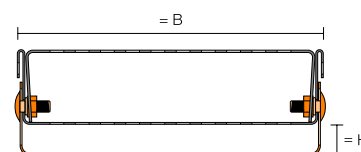
L (cm)	Cod. Art.	CHF / pz	cassa (pz.)
75	TLKE 4070 / 75	<b>47,51</b>	40
100	TLKE 4070 / 100	<b>53,11</b>	40

## Regolatore di altezza

### Schlüter®-TROBA-LINE-TL/H



Schlüter-TROBA-LINE-TL/H è un regolatore di altezza per le canalette di drenaggio TROBA-LINE-TL e TROBA-LINE-TLR che permette di sollevare fino a 40 mm e quindi di allinearle con la pavimentazione. (Scheda tecnica 7.4)



#### Schlüter®-TROBA-LINE-TL/H

regolatore dell'altezza, B = 75 mm

H (mm)	L = 135 mm Cod. Art.	CHF / kit	cassa (set)
0-20	TL2 H 75*	<b>27,86</b>	40
20-40	TL4 H 75**	<b>29,82</b>	40

altezza variabile \*tra 0-20 mm / \*\* tra 20-40 mm

#### Schlüter®-TROBA-LINE-TL/H

regolatore dell'altezza, B = 110 mm

H (mm)	L = 135 mm Cod. Art.	CHF / kit	cassa (set)
0-20	TL2 H 110*	<b>29,71</b>	40
20-40	TL4 H 110**	<b>31,66</b>	40

Incluse 4 viti

#### Schlüter®-TROBA-LINE-TL/H

regolatore dell'altezza, B = 160 mm

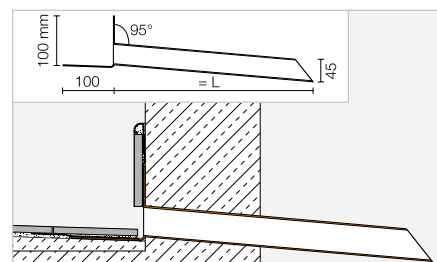
H (mm)	L = 135 mm Cod. Art.	CHF / kit	cassa (set)
0-20	TL2 H 160*	<b>32,43</b>	40
20-40	TL4 H 160**	<b>34,38</b>	40

## Troppo pieno

### Schlüter®-KERDI-DRAIN-SP-E



Schlüter-KERDI-DRAIN-SP-E è uno scarico in acciaio inossidabile per il drenaggio su balconi e terrazzi delimitati da muretti. Sulla flangia viene incollato il tassello di tenuta Schlüter-KERDI che assicura una perfetta sigillatura e permette l'incollaggio di un ulteriore strato di impermeabilizzazione. Il tassello di tenuta Schlüter-KERDI è incluso nella confezione. (Scheda tecnica 8.5)



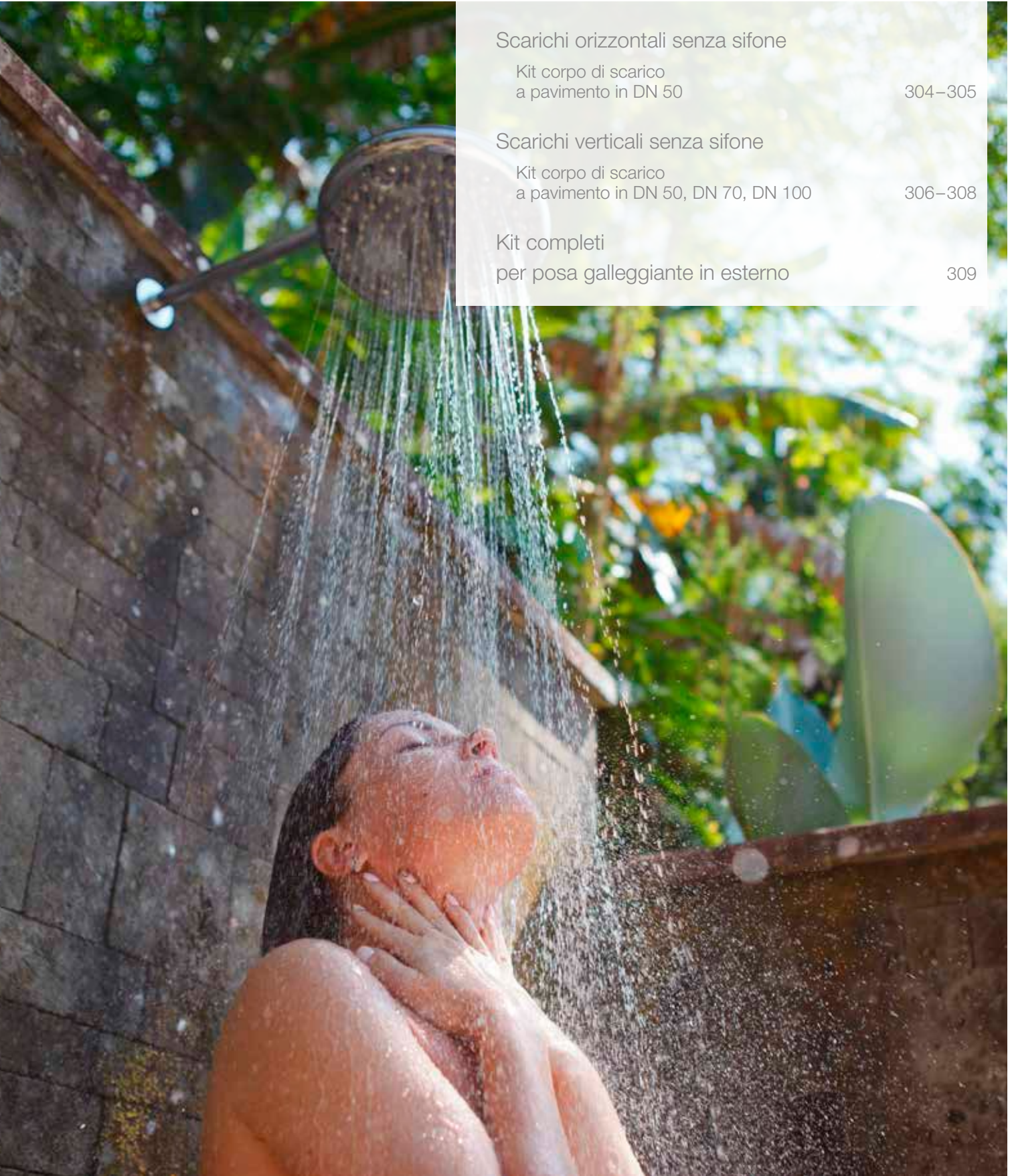
#### Schlüter®-KERDI-DRAIN-SP-E

acciaio inossidabile V2A

L (cm)	Cod. Art.	CHF / kit	conf. (set)
25	KD SPE 45/25	<b>137,83</b>	10
40	KD SPE 45/40	<b>146,45</b>	10

# Schlüter®-KERDI-DRAIN

Scarico puntuale per esterni



## Scarichi orizzontali senza sifone

Kit corpo di scarico  
a pavimento in DN 50

304-305

## Scarichi verticali senza sifone

Kit corpo di scarico  
a pavimento in DN 50, DN 70, DN 100

306-308

Kit completi  
per posa galleggiante in esterno

309



# Schlüter®-KERDI-DRAIN

Scarichi orizzontali senza sifone

Scarico puntuale per esterni



①  
②

## Set di griglie con telaio

- ① Griglia in acciaio inossidabile con supporto
- ② Collare per la regolazione dell'altezza



③



④



⑤



⑥



⑦



⑧

## Set di scarico

- ③ Tassello Schlüter-KERDI
- ④ Flangia di incollaggio
- ⑤ Inserto di collegamento dello scarico
- ⑥ Schlüter-TROBA-PLUS 8 tassello per drenaggio
- ⑦ Flangia in acciaio inossidabile
- ⑧ Scarico con adattatore

### Nota:

Il set di scarico a pavimento e il set griglia/cornice devono essere ordinati singolarmente.

Caratteristiche delle griglie



Le griglie dispongono di una prolunga e di un collare per la regolazione dell'altezza (tranne KD R10 ED4). Queste griglie non sono sifonate. Tutte le griglie sono provviste di filtro di protezione ad eccezione di KD R10 ED4, KD R15 ED1 S, KD R15 ED1 SB e KD R15 ED1 SR.



Design griglie



Design 1  
CLASSIC



Design 1  
CLASSIC  
ROUND



Design 2  
TRAPEZOID



Design 3  
SQUARE



Design 4  
TILE



## DN 50

Set di scarico



Cod. Art.

CHF / pz

KD BH 50 B

130,24



Set di griglie con telaio

L x B (cm)

Cod. Art.

CHF / pz

Design 1, acciaio inossidabile, con viti

10 x 10

KD R10 ED1 S

73,29

Design 1, acciaio inossidabile V4A, con viti

10 x 10

KD R10 V4A D1 S

91,60

Design 1, acciaio inossidabile

10 x 10

KD R10 ED1

73,29

Design 1, acciaio inossidabile effetto bronzo anticato lucido, con viti

10 x 10

KD R10 EOB D1 S

104,11

Design 1, acciaio inossidabile, con viti

15 x 15

KD R15 ED1 S

99,94

Design 1, acciaio inossidabile, con viti (rotondo)

15 x 15

KD R15 ED1 SR

99,94

Design 2, acciaio inossidabile spazzolato

10 x 10

KD R10 ED2

133,26

Design 3, acciaio inossidabile spazzolato

10 x 10

KD R10 ED3

133,26

Design 4, griglia rivestibile a scomparsa

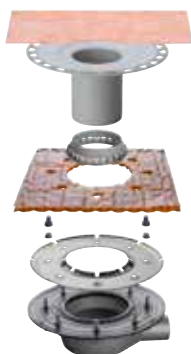
10 x 10

KD R10 ED4

73,29

## DN 50

Set di scarico



Cod. Art.

CHF / pz

KD BH 50 MSBB

254,28



Set di griglie con telaio

L x B (cm)

Cod. Art.

CHF / pz

Design 1, acciaio inossidabile, con viti

10 x 10

KD R10 ED1 S

73,29

Design 1, acciaio inossidabile V4A, con viti

10 x 10

KD R10 V4A D1 S

91,60

Design 1, acciaio inossidabile

10 x 10

KD R10 ED1

73,29

Design 1, acciaio inossidabile effetto bronzo anticato lucido, con viti

10 x 10

KD R10 EOB D1 S

104,11

Design 1, acciaio inossidabile, con viti

15 x 15

KD R15 ED1 S

99,94

Design 1, acciaio inossidabile, con viti (rotondo)

15 x 15

KD R15 ED1 SR

99,94

Design 2, acciaio inossidabile spazzolato

10 x 10

KD R10 ED2

133,26

Design 3, acciaio inossidabile spazzolato

10 x 10

KD R10 ED3

133,26

Design 4, griglia rivestibile a scomparsa

10 x 10

KD R10 ED4

73,29

P = 10 pezzi

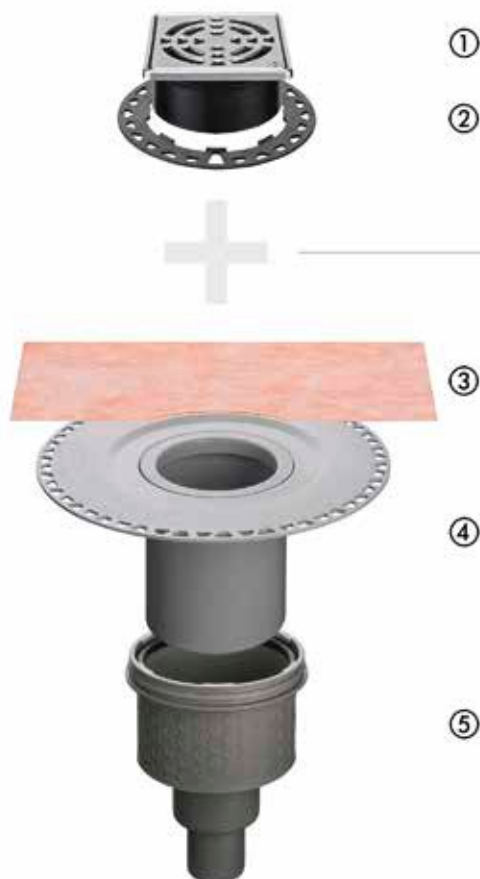
**Nota:** Con elemento di raccordo di impermeabilizzazione con guaine bituminose e guaine in polimero.



# Schlüter®-KERDI-DRAIN

Scarichi verticali senza sifone

Scarico puntuale per esterni



## Set di griglie con telaio

- ① Griglia in acciaio inossidabile con supporto
- ② Collare per la regolazione dell'altezza

## Set di scarico

- ③ Tassello Schlüter-KERDI
- ④ Flangia di incollaggio
- ⑤ Sifone non integrato nello scarico

### Nota:

Il set di scarico a pavimento e il set griglia/cornice devono essere ordinati singolarmente.

Caratteristiche delle griglie



Le griglie dispongono di una prolunga e di un collare per la regolazione dell'altezza (tranne KD R10 ED4). Queste griglie non sono sifonate. Tutte le griglie sono provviste di filtro di protezione ad eccezione di KD R10 ED4, KD R15 ED1 S, KD R15 ED1 SB e KD R15 ED1 SR.



Design griglie



Design 1  
CLASSIC



Design 1  
CLASSIC  
ROUND



Design 2  
TRAPEZOID



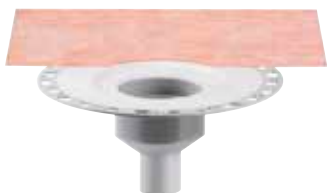
Design 3  
SQUARE



Design 4  
TILE

## DN 50

Set di scarico



Cod. Art.	CHF / pz
KD BV 50	69,95

+	Set di griglie con telaio	L x B (cm)	Cod. Art.	CHF / pz
	Design 1, acciaio inossidabile, con viti	10 x 10	KD R10 ED1 S	73,29
	Design 1, acciaio inossidabile V4A, con viti	10 x 10	KD R10 V4A D1 S	91,60
	Design 1, acciaio inossidabile	10 x 10	KD R10 ED1	73,29
	Design 1, acciaio inossidabile effetto bronzo anticato lucido, con viti	10 x 10	KD R10 EOB D1 S	104,11
	Design 1, acciaio inossidabile, con viti	15 x 15	KD R15 ED1 S	99,94
	Design 1, acciaio inossidabile, con viti (rotondo)	15 x 15	KD R15 ED1 SR	99,94
	Design 2, acciaio inossidabile spazzolato	10 x 10	KD R10 ED2	133,26
	Design 3, acciaio inossidabile spazzolato	10 x 10	KD R10 ED3	133,26
	Design 4, griglia rivestibile a scomparsa	10 x 10	KD R10 ED4	73,29

## DN 70

Set di scarico

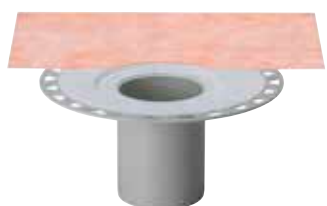


Cod. Art.	CHF / pz
KD BV 70	69,95

+	Set di griglie con telaio	L x B (cm)	Cod. Art.	CHF / pz
	Design 1, acciaio inossidabile, con viti	10 x 10	KD R10 ED1 S	73,29
	Design 1, acciaio inossidabile V4A, con viti	10 x 10	KD R10 V4A D1 S	91,60
	Design 1, acciaio inossidabile	10 x 10	KD R10 ED1	73,29
	Design 1, acciaio inossidabile effetto bronzo anticato lucido, con viti	10 x 10	KD R10 EOB D1 S	104,11
	Design 1, acciaio inossidabile, con viti	15 x 15	KD R15 ED1 S	99,94
	Design 1, acciaio inossidabile, con viti (rotondo)	15 x 15	KD R15 ED1 SR	99,94
	Design 2, acciaio inossidabile spazzolato	10 x 10	KD R10 ED2	133,26
	Design 3, acciaio inossidabile spazzolato	10 x 10	KD R10 ED3	133,26
	Design 4, griglia rivestibile a scomparsa	10 x 10	KD R10 ED4	73,29

## DN 100

Set di scarico



Cod. Art.	CHF / pz
KD BV 100	69,95

+	Set di griglie con telaio	L x B (cm)	Cod. Art.	CHF / pz
	Design 1, acciaio inossidabile, con viti	10 x 10	KD R10 ED1 S	73,29
	Design 1, acciaio inossidabile V4A, con viti	10 x 10	KD R10 V4A D1 S	91,60
	Design 1, acciaio inossidabile	10 x 10	KD R10 ED1	73,29
	Design 1, acciaio inossidabile effetto bronzo anticato lucido, con viti	10 x 10	KD R10 EOB D1 S	104,11
	Design 1, acciaio inossidabile, con viti	15 x 15	KD R15 ED1 S	99,94
	Design 1, acciaio inossidabile, con viti (rotondo)	15 x 15	KD R15 ED1 SR	99,94
	Design 2, acciaio inossidabile spazzolato	10 x 10	KD R10 ED2	133,26
	Design 3, acciaio inossidabile spazzolato	10 x 10	KD R10 ED3	133,26
	Design 4, griglia rivestibile a scomparsa	10 x 10	KD R10 ED4	73,29

P = 10 pezzi



# Schlüter®-KERDI-DRAIN

## Scarichi verticali senza sifone

Scarico puntuale per esterni

DN 50

Set di scarico



Cod. Art.

KD BV 50 B

CHF / pz

130,24

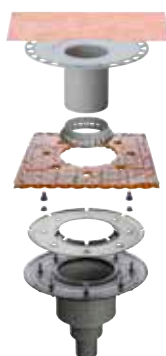


Set di griglie con telaio

	L x B (cm)	Cod. Art.	CHF / pz
Design 1, acciaio inossidabile, con viti	10 x 10	KD R10 ED1 S	73,29
Design 1, acciaio inossidabile V4A, con viti	10 x 10	KD R10 V4A D1 S	91,60
Design 1, acciaio inossidabile	10 x 10	KD R10 ED1	73,29
Design 1, acciaio inossidabile effetto bronzo anticato lucido, con viti	10 x 10	KD R10 EOB D1 S	104,11
Design 1, acciaio inossidabile, con viti	15 x 15	KD R15 ED1 S	99,94
Design 1, acciaio inossidabile, con viti (rotondo)	15 x 15	KD R15 ED1 SR	99,94
Design 2, acciaio inossidabile spazzolato	10 x 10	KD R10 ED2	133,26
Design 3, acciaio inossidabile spazzolato	10 x 10	KD R10 ED3	133,26
Design 4, griglia rivestibile a scomparsa	10 x 10	KD R10 ED4	73,29

DN 50

Set di scarico



Cod. Art.

KD BV 50 MSBB

CHF / pz

254,28



Set di griglie con telaio

	L x B (cm)	Cod. Art.	CHF / pz
Design 1, acciaio inossidabile, con viti	10 x 10	KD R10 ED1 S	73,29
Design 1, acciaio inossidabile V4A, con viti	10 x 10	KD R10 V4A D1 S	91,60
Design 1, acciaio inossidabile	10 x 10	KD R10 ED1	73,29
Design 1, acciaio inossidabile effetto bronzo anticato lucido, con viti	10 x 10	KD R10 EOB D1 S	104,11
Design 1, acciaio inossidabile, con viti	15 x 15	KD R15 ED1 S	99,94
Design 1, acciaio inossidabile, con viti (rotondo)	15 x 15	KD R15 ED1 SR	99,94
Design 2, acciaio inossidabile spazzolato	10 x 10	KD R10 ED2	133,26
Design 3, acciaio inossidabile spazzolato	10 x 10	KD R10 ED3	133,26
Design 4, griglia rivestibile a scomparsa	10 x 10	KD R10 ED4	73,29

P = 10 pezzi

**Nota:** Con elemento di raccordo di impermeabilizzazione con guaine bituminose e guaine in polimero.

Design griglie



Design 1  
CLASSIC



Design 1  
CLASSIC  
ROUND



Design 2  
TRAPEZOID



Design 3  
SQUARE



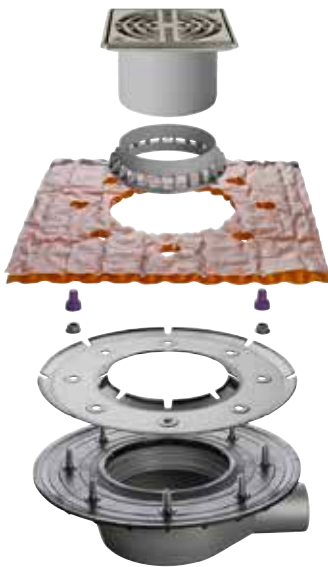
Design 4  
TILE

# Schlüter®-KERDI-DRAIN

## Kit completi per posa galleggiante in esterno

Scarico puntuale | Scarico orizzontale

DN 50



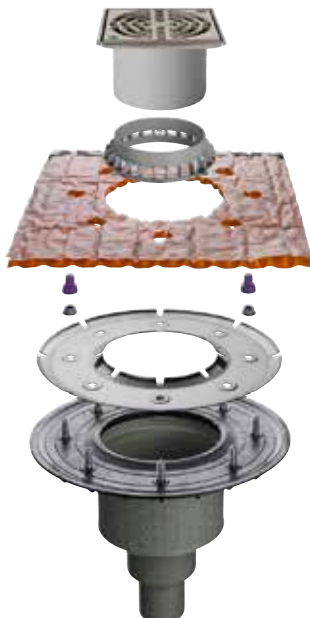
### Il kit base contiene:

- Set di scarico
- Elemento di raccordo di impermeabilizzazione con guaine bituminose e guaine in polimero
- Innesto per posa galleggiante
- Griglia, Design 1 (KD R15 ED1 S), acciaio inossidabile, con viti

Cod. Art.	CHF / pz
KD BH 50 ASLVB	294,62

Scarico puntuale | Scarico verticale

DN 50



### Il kit base contiene:

- Set di scarico
- Elemento di raccordo di impermeabilizzazione con guaine bituminose e guaine in polimero
- Innesto per posa galleggiante
- Griglia, Design 1 (KD R15 ED1 S), acciaio inossidabile, con viti

Cod. Art.	CHF / pz
KD BV 50 ASLVB	294,62

P = 10 pezzi



# Schlüter®-BARA

Rivestire, proteggere, sostenere

La gamma di profili per balconi e terrazzi Schlüter-BARA offre la giusta soluzione per qualsiasi stratigrafia costruttiva da esterno. Rivestono i lati aperti della stratigrafia costruttiva e proteggono in modo efficace i bordi di balconi e terrazzi. Buona parte dei nostri profili per balconi e terrazzi è già predisposta per un facile fissaggio del nostro sistema di gronda BARIN.

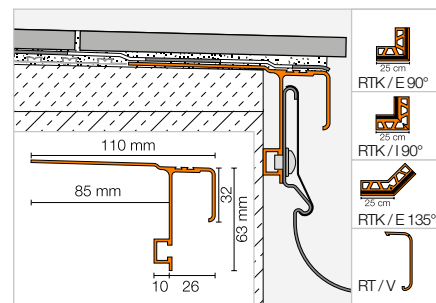


## Profilo di chiusura con predisposizione per grondaia

### Schlüter®-BARA-RTK



Schlüter-BARA-RTK è un profilo di chiusura per balconi e terrazzi munito di gocciolatoio, da applicarsi su un massetto in pendenza per la posa a colla. Il profilo è predisposto per il fissaggio del sistema di gronda Schlüter-BARIN. Le piastrelle possono essere posate con sporgenza. Oppure può essere utilizzato un profilo di chiusura come Schlüter-JOLLY. (Scheda tecnica 5.9)



### Schlüter®-BARA-RTK

alluminio colorato

L = 2,50 m Cod. Art.	CHF / m	cassa (pz.)
RTK 30 ...*	49,28	40

## Angolo | Terminale | Innesto

### Schlüter®-BARA-RTK/E 90°

angolo esterno 90°

Cod. Art.	CHF / pz	crt. (pz.)
E90 / RTK 30 ...*	62,56	10

### Schlüter®-BARA-RTK/E 135°

angolo esterno 135°

Cod. Art.	CHF / pz	crt. (pz.)
E135 / RTK 30 ...*	68,89	10

### Schlüter®-BARA-RTK/I 90°

angolo interno 90°

Cod. Art.	CHF / pz	crt. (pz.)
I90 / RTK 30 ...*	62,56	10

### Schlüter®-BARA-RT/EK

terminale

Cod. Art.	CHF / pz	crt. (pz.)
E / RT 30 ...*	3,59	50

### Schlüter®-BARA-RTK/V

innesto

Cod. Art.	CHF / pz	crt. (pz.)
V / RT 30 ...*	3,70	50

**Angoli personalizzabili disponibili**  
Maggiori informazioni alle pagg. 339.

Completare il Cod. Art. con il colore (ad es. V / RT 30 SB)



\* Colori disponibili: BW - GM - PG - SB

A pagina 340 e segg. è disponibile una panoramica delle finiture e dei colori.

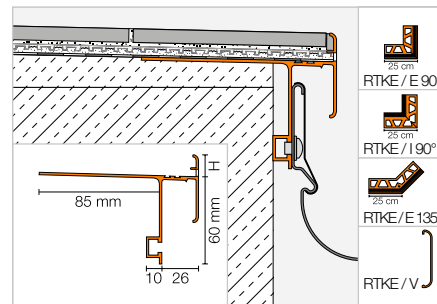


## Profilo di chiusura con predisposizione per grondaia

### Schlüter®-BARA-RTKE



Schlüter-BARA-RTKE è un profilo di chiusura per balconi e terrazzi munito di gocciolatoio, da incollare a colla su un massetto in pendenza. Il profilo è predisposto per il fissaggio del sistema di gronda Schlüter-BARIN. Il profilo BARA-RTKE è stato concepito per essere abbinato al sistema di impermeabilizzazione e drenaggio Schlüter-DITRA-DRAIN. L'alzata superiore traforata del profilo permette una copertura della sezione anteriore della piastrella e un libero deflusso dell'acqua di drenaggio.



(Scheda tecnica 5.21)

#### Schlüter®-BARA-RTKE

alluminio colorato

H (mm)	L = 2,50 m Cod. Art.	CHF / m	cassa (pz.)
10	RTKE 10 ...*	<b>59,47</b>	40
15	RTKE 15 ...*	<b>60,11</b>	40
18	RTKE 18 ...*	<b>61,61</b>	40
21	RTKE 21 ...*	<b>62,91</b>	40
23	RTKE 23 ...*	<b>64,81</b>	40

#### Nota:

L'altezza 23 mm può essere utilizzata anche con Schlüter-DITRA-DRAIN 8.

## Angolo | Innesto

#### Schlüter®-BARA-RTKE/E 90°

angolo esterno 90°

H (mm)	Cod. Art.	CHF / pz	crt. (pz.)
10	E90 / RTKE 10 ...*	<b>71,83</b>	10
15	E90 / RTKE 15 ...*	<b>71,83</b>	10
18	E90 / RTKE 18 ...*	<b>71,83</b>	10
21	E90 / RTKE 21 ...*	<b>71,83</b>	10
23	E90 / RTKE 23 ...*	<b>71,83</b>	10

#### Schlüter®-BARA-RTKE/E 135°

angolo esterno 135°

H (mm)	Cod. Art.	CHF / pz	crt. (pz.)
10	E135 / RTKE 10 ...*	<b>71,83</b>	10
15	E135 / RTKE 15 ...*	<b>71,83</b>	10
18	E135 / RTKE 18 ...*	<b>71,83</b>	10
21	E135 / RTKE 21 ...*	<b>71,83</b>	10
23	E135 / RTKE 23 ...*	<b>71,83</b>	10

#### Schlüter®-BARA-RTKE/I 90°

angolo interno 90°

H (mm)	Cod. Art.	CHF / pz	crt. (pz.)
10	I90 / RTKE 10 ...*	<b>71,83</b>	10
15	I90 / RTKE 15 ...*	<b>71,83</b>	10
18	I90 / RTKE 18 ...*	<b>71,83</b>	10
21	I90 / RTKE 21 ...*	<b>71,83</b>	10
23	I90 / RTKE 23 ...*	<b>71,83</b>	10

#### Schlüter®-BARA-RTKE/V

innesto

H (mm)	Cod. Art.	CHF / pz	crt. (pz.)
10	V / RTKE 10 ...*	<b>4,01</b>	50
15	V / RTKE 15 ...*	<b>4,01</b>	50
18	V / RTKE 18 ...*	<b>4,01</b>	50
21	V / RTKE 21 ...*	<b>4,01</b>	50
23	V / RTKE 23 ...*	<b>4,01</b>	50

 **Angoli personalizzabili disponibili**  
Maggiori informazioni alle pagg. 339.

Completare il Cod. Art. con il colore (ad es. V / RTKE 10 PG)

GM PG

\* Colori disponibili: GM - PG

A pagina 340 e segg. è disponibile una panoramica delle finiture e dei colori.

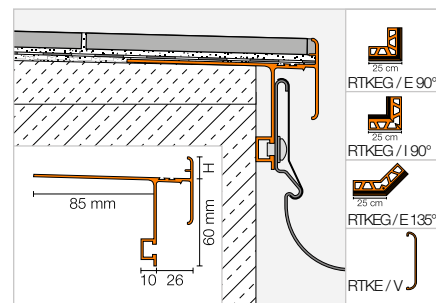


## Profilo di chiusura con predisposizione per grondaia

### Schlüter®-BARA-RTKEG



Schlüter-BARA-RTKEG è un profilo di chiusura per balconi e terrazzi munito di gocciolatoio, da applicarsi con posa a colla su un massetto in pendenza. Il profilo è predisposto per il fissaggio del sistema di gronda Schlüter-BARIN. Questo profilo è particolarmente adatto per essere utilizzato in concomitanza con la guaina di separazione Schlüter-DITRA. La parte superiore presenta un profilo che protegge il bordo della ceramica. (Scheda tecnica 5.21)



### Schlüter®-BARA-RTKEG

alluminio colorato

H (mm)	L = 2,50 m Cod. Art.	CHF / m	cassa (pz.)
4	RTKEG 4 ...*	<b>46,70</b>	40
10	RTKEG 10 ...*	<b>47,32</b>	40
15	RTKEG 15 ...*	<b>48,18</b>	40
18	RTKEG 18 ...*	<b>49,78</b>	40
21	RTKEG 21 ...*	<b>51,00</b>	40

## Angolo | Innesto

### Schlüter®-BARA-RTKEG/E 90°

angolo esterno 90°

H (mm)	Cod. Art.	CHF / pz	crt. (pz.)
4	E90 / RTKEG 4 ...*	<b>64,66</b>	10
10	E90 / RTKEG 10 ...*	<b>64,66</b>	10
15	E90 / RTKEG 15 ...*	<b>64,66</b>	10
18	E90 / RTKEG 18 ...*	<b>64,66</b>	10
21	E90 / RTKEG 21 ...*	<b>64,66</b>	10

### Schlüter®-BARA-RTKEG/E 135°

angolo esterno 135°

H (mm)	Cod. Art.	CHF / pz	crt. (pz.)
4	E135 / RTKEG 4 ...*	<b>64,66</b>	10
10	E135 / RTKEG 10 ...*	<b>64,66</b>	10
15	E135 / RTKEG 15 ...*	<b>64,66</b>	10
18	E135 / RTKEG 18 ...*	<b>64,66</b>	10
21	E135 / RTKEG 21 ...*	<b>64,66</b>	10

### Schlüter®-BARA-RTKEG/I 90°

angolo interno 90°

H (mm)	Cod. Art.	CHF / pz	crt. (pz.)
4	I90 / RTKEG 4 ...*	<b>64,66</b>	10
10	I90 / RTKEG 10 ...*	<b>64,66</b>	10
15	I90 / RTKEG 15 ...*	<b>64,66</b>	10
18	I90 / RTKEG 18 ...*	<b>64,66</b>	10
21	I90 / RTKEG 21 ...*	<b>64,66</b>	10

### Schlüter®-BARA-RTKE/V

innesto

H (mm)	Cod. Art.	CHF / pz	crt. (pz.)
4	V / RTKE 4 ...*	<b>4,01</b>	50
10	V / RTKE 10 ...*	<b>4,01</b>	50
15	V / RTKE 15 ...*	<b>4,01</b>	50
18	V / RTKE 18 ...*	<b>4,01</b>	50
21	V / RTKE 21 ...*	<b>4,01</b>	50

 **Angoli personalizzabili disponibili**  
Maggiori informazioni alle pagg. 339.

Completare il Cod. Art. con il colore (ad es. V / RTKE 4 PG)

GM PG

\* Colori disponibili: GM - PG

A pagina 340 e segg. è disponibile una panoramica delle finiture e dei colori.



# Schlüter®-BARA

## Outdoor su misura

Schlüter-Systems non solo vi offre la soluzione giusta per ogni situazione costruttiva per balconi e terrazze. Potete anche scegliere fino a 5 colori standard per i nostri profili BARA. Oppure – come ulteriore servizio per i nostri clienti – offriamo la possibilità di scegliere tra 190 tonalità RAL-Classic. Per i progettisti particolarmente creativi sono disponibili pezzi speciali con angoli personalizzabili. Voi chiedete e noi realizziamo prodotti personalizzati apposta per voi.





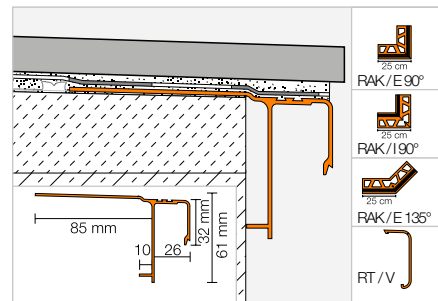
## Profilo di chiusura

### Schlüter®-BARA-RAK



Schlüter-BARA-RAK è un profilo in alluminio colorato per balconi e terrazzi. E' utilizzato sia come bordo di chiusura che come gocciolatoio.

(Scheda tecnica 5.5)



#### Schlüter®-BARA-RAK

alluminio colorato

L = 2,50 m Cod. Art.	CHF / m	cassa (pz.)
RAK 50 ...*	43,17	40

**MyDesign by Schlüter-Systems**  
E' possibile personalizzare il colore scegliendo tra 190 tonalità della gamma RAL Classic.  
Per maggiori dettagli consultare pag. 16.

## Angolo | Terminale | Innesto

#### Schlüter®-BARA-RAK/E 90°

angolo esterno 90°

Cod. Art.	CHF / pz	crt. (pz.)
E90 / RAK 50 ...*	57,52	10

#### Schlüter®-BARA-RAK/E 135°

angolo esterno 135°

Cod. Art.	CHF / pz	crt. (pz.)
E135 / RAK 50 ...*	63,29	10

#### Schlüter®-BARA-RAK/I 90°

angolo interno 90°

Cod. Art.	CHF / pz	crt. (pz.)
I90 / RAK 50 ...*	57,52	10

#### Schlüter®-BARA-RT/EK

terminale

Cod. Art.	CHF / pz	crt. (pz.)
E / RT 30 ...*	3,59	50

#### Schlüter®-BARA-RTK/V

innesto

Cod. Art.	CHF / pz	crt. (pz.)
V / RT 30 ...*	3,70	50

**Angoli personalizzabili disponibili**  
Maggiori informazioni alle pagg. 339.

Completare il Cod. Art. con il colore (ad es. V / RT 30 SB)



\* Colori disponibili: AG - BW - GM - PG - SB

A pagina 340 e segg. è disponibile una panoramica delle finiture e dei colori.

#### Nota:

Schlüter-BARA-RAK non è predisposto per il montaggio del sistema di gronda Schlüter-BARIN. E' possibile applicarlo eseguendo dei fori Ø 7 mm.



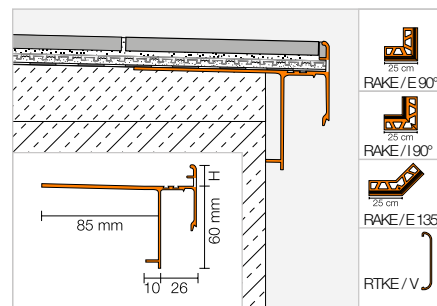
## Profilo di chiusura

### Schlüter®-BARA-RAKE



Schlüter-BARA-RAKE è un profilo di chiusura per balconi e terrazzi munito di gocciolatoio, da applicarsi con posa a colla su un massetto in pendenza. Questo profilo è particolarmente adatto per essere utilizzato in concomitanza con il sistema di drenaggio Schlüter-DITRA-DRAIN. L'alzata superiore traforata del profilo permette una copertura della sezione anteriore della piastrella e un libero deflusso dell'acqua di drenaggio.

(Scheda tecnica 5.22)



### Schlüter®-BARA-RAKE

alluminio colorato

H (mm)	L = 2,50 m Cod. Art.	CHF / m	cassa (pz.)
10	RAKE 10 ...*	<b>60,11</b>	40
15	RAKE 15 ...*	<b>63,70</b>	40
18	RAKE 18 ...*	<b>64,00</b>	40
21	RAKE 21 ...*	<b>64,63</b>	40

**MyDesign by Schlüter-Systems**  
 E' possibile personalizzare il colore scegliendo tra 190 tonalità della gamma RAL Classic.  
 Per maggiori dettagli consultare pag. 16.

## Angolo | Innesto

### Schlüter®-BARA-RAKE/E 90°

angolo esterno 90°

H (mm)	Cod. Art.	CHF / pz	crt. (pz.)
10	E90 / RAKE 10 ...*	<b>71,62</b>	10
15	E90 / RAKE 15 ...*	<b>71,62</b>	10
18	E90 / RAKE 18 ...*	<b>71,62</b>	10
21	E90 / RAKE 21 ...*	<b>71,62</b>	10

### Schlüter®-BARA-RAKE/E 135°

angolo esterno 135°

H (mm)	Cod. Art.	CHF / pz	crt. (pz.)
10	E135 / RAKE 10 ...*	<b>71,62</b>	10
15	E135 / RAKE 15 ...*	<b>71,62</b>	10
18	E135 / RAKE 18 ...*	<b>71,62</b>	10
21	E135 / RAKE 21 ...*	<b>71,62</b>	10

### Schlüter®-BARA-RAKE/I 90°

angolo interno 90°

H (mm)	Cod. Art.	CHF / pz	crt. (pz.)
10	I90 / RAKE 10 ...*	<b>71,62</b>	10
15	I90 / RAKE 15 ...*	<b>71,62</b>	10
18	I90 / RAKE 18 ...*	<b>71,62</b>	10
21	I90 / RAKE 21 ...*	<b>71,62</b>	10

### Schlüter®-BARA-RTKE/V

innesto

H (mm)	Cod. Art.	CHF / pz	crt. (pz.)
10	V / RTKE 10 ...*	<b>4,01</b>	50
15	V / RTKE 15 ...*	<b>4,01</b>	50
18	V / RTKE 18 ...*	<b>4,01</b>	50
21	V / RTKE 21 ...*	<b>4,01</b>	50

**Angoli personalizzabili disponibili**  
 Maggiori informazioni alle pagg. 339.

Completare il Cod. Art. con il colore (ad es. V / RTKE 10 PG)

GM PG

\* Colori disponibili: GM - PG

A pagina 340 e segg. è disponibile una panoramica delle finiture e dei colori.



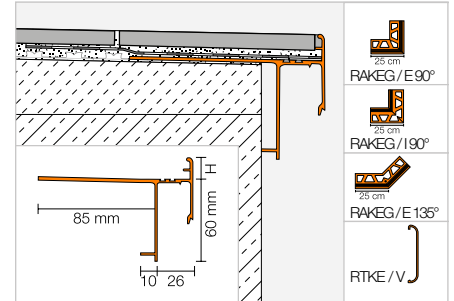
## Profilo di chiusura

### Schlüter®-BARA-RAKEG



Schlüter-BARA-RAKEG è un profilo di chiusura per balconi e terrazzi munito di gocciolatoio, da applicarsi con posa a colla su un massetto in pendenza. Questo profilo è particolarmente adatto per essere utilizzato in concomitanza con la guaina di separazione Schlüter-DITRA. La parte superiore presenta un profilo che protegge il bordo della ceramica.

(Scheda tecnica 5.22)



### Schlüter®-BARA-RAKEG

alluminio colorato

H (mm)	L = 2,50 m Cod. Art.	CHF / m	cassa (pz.)
4	RAKEG 4 ...*	<b>47,05</b>	40
10	RAKEG 10 ...*	<b>47,79</b>	40
15	RAKEG 15 ...*	<b>51,46</b>	40
18	RAKEG 18 ...*	<b>51,77</b>	40
21	RAKEG 21 ...*	<b>52,39</b>	40

**MyDesign by Schlüter-Systems**  
E' possibile personalizzare il colore scegliendo tra 190 tonalità della gamma RAL Classic.  
Per maggiori dettagli consultare pag. 16.

## Angolo | Innesto

### Schlüter®-BARA-RAKEG/E 90°

angolo esterno 90°

H (mm)	Cod. Art.	CHF / pz	crt. (pz.)
4	E90 / RAKEG 4 ...*	<b>64,48</b>	10
10	E90 / RAKEG 10 ...*	<b>64,48</b>	10
15	E90 / RAKEG 15 ...*	<b>64,48</b>	10
18	E90 / RAKEG 18 ...*	<b>64,48</b>	10
21	E90 / RAKEG 21 ...*	<b>64,48</b>	10

### Schlüter®-BARA-RAKEG/E 135°

angolo esterno 135°

H (mm)	Cod. Art.	CHF / pz	crt. (pz.)
4	E135 / RAKEG 4 ...*	<b>64,48</b>	10
10	E135 / RAKEG 10 ...*	<b>64,48</b>	10
15	E135 / RAKEG 15 ...*	<b>64,48</b>	10
18	E135 / RAKEG 18 ...*	<b>64,48</b>	10
21	E135 / RAKEG 21 ...*	<b>64,48</b>	10

### Schlüter®-BARA-RAKEG/I 90°

angolo interno 90°

H (mm)	Cod. Art.	CHF / pz	crt. (pz.)
4	I90 / RAKEG 4 ...*	<b>64,48</b>	10
10	I90 / RAKEG 10 ...*	<b>64,48</b>	10
15	I90 / RAKEG 15 ...*	<b>64,48</b>	10
18	I90 / RAKEG 18 ...*	<b>64,48</b>	10
21	I90 / RAKEG 21 ...*	<b>64,48</b>	10

### Schlüter®-BARA-RTKE/V

innesto

H (mm)	Cod. Art.	CHF / pz	crt. (pz.)
4	V / RTKE 4 ...*	<b>4,01</b>	50
10	V / RTKE 10 ...*	<b>4,01</b>	50
15	V / RTKE 15 ...*	<b>4,01</b>	50
18	V / RTKE 18 ...*	<b>4,01</b>	50
21	V / RTKE 21 ...*	<b>4,01</b>	50

**Angoli personalizzabili disponibili**  
Maggiori informazioni alle pagg. 339.

Completare il Cod. Art. con il colore (ad es. V / RTKE 4 GM)



\* Colori disponibili: AG - BW - GM - PG - SB

A pagina 340 e segg. è disponibile una panoramica delle finiture e dei colori.

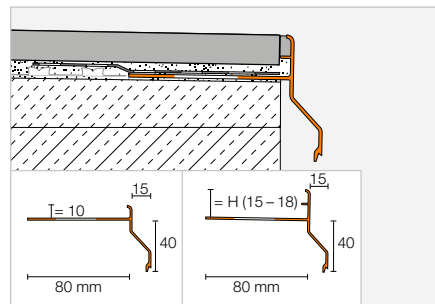


## Profilo di chiusura

### Schlüter®-BARA-RKK



Schlüter-BARA-RKK è un profilo di chiusura a T con bordo di gocciolamento poco sporgente, quindi particolarmente adatto se il montante della ringhiera è fissato frontalmente, da installare su massetto in pendenza. Il profilo è stato concepito per essere abbinato al sistema di impermeabilizzazione Schlüter-DITRA. La parte superiore presenta un profilo che protegge il bordo della ceramica.  
(Scheda tecnica 5.24)



#### Schlüter®-BARA-RKK

alluminio colorato

H (mm)	L = 2,50 m Cod. Art.	CHF / m	cassa (pz.)
10	RKK 10 ...*	<b>37,24</b>	40
15	RKK 15 ...*	<b>38,66</b>	40
18	RKK 18 ...*	<b>39,81</b>	40

**MyDesign by Schlüter-Systems**  
E' possibile personalizzare il colore scegliendo tra 190 tonalità della gamma RAL Classic.  
Per maggiori dettagli consultare pag. 16.

## Angolo | Innesto

#### Schlüter®-BARA-RKK/E 90°

angolo esterno 90°

H (mm)	Cod. Art.	CHF / pz	crt. (pz.)
10	E90 / RKK 10 ...*	<b>54,58</b>	10
15	E90 / RKK 15 ...*	<b>54,58</b>	10
18	E90 / RKK 18 ...*	<b>54,58</b>	10

#### Schlüter®-BARA-RKK/E 135°

angolo esterno 135°

H (mm)	Cod. Art.	CHF / pz	crt. (pz.)
10	E135 / RKK 10 ...*	<b>54,58</b>	10
15	E135 / RKK 15 ...*	<b>54,58</b>	10
18	E135 / RKK 18 ...*	<b>54,58</b>	10

#### Schlüter®-BARA-RKK/I 90°

angolo interno 90°

H (mm)	Cod. Art.	CHF / pz	crt. (pz.)
10	I90 / RKK 10 ...*	<b>54,58</b>	10
15	I90 / RKK 15 ...*	<b>54,58</b>	10
18	I90 / RKK 18 ...*	<b>54,58</b>	10

#### Schlüter®-BARA-RKK/V

innesto

H (mm)	Cod. Art.	CHF / pz	crt. (pz.)
10	V / RKK 10 ...*	<b>4,19</b>	50
15	V / RKK 15 ...*	<b>4,19</b>	50
18	V / RKK 18 ...*	<b>4,19</b>	50

**Angoli personalizzabili disponibili**  
Maggiori informazioni alle pagg. 339.

Completare il Cod. Art. con il colore (ad es. V / RKK 10 SB)



\* Colori disponibili: AG - BW - GM - PG - SB

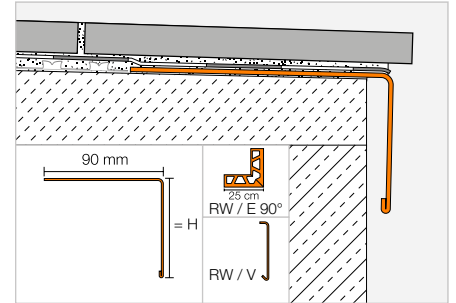
A pagina 340 e segg. è disponibile una panoramica delle finiture e dei colori.

## Profilo di chiusura

### Schlüter®-BARA-RW



Schlüter-BARA-RW è un profilo di chiusura a L, in acciaio inossidabile o in alluminio colorato, per balconi e terrazzi.  
(Scheda tecnica 5.3)



#### Schlüter®-BARA-RW



alluminio colorato

H (mm)	L = 2,50 m Cod. Art.	CHF / m	cassa (pz.)
15	RW 15 ...*	<b>23,52</b>	40
25	RW 25 ...*	<b>24,93</b>	40
30	RW 30 ...*	<b>25,59</b>	40
40	RW 40 ...*	<b>27,54</b>	40
55	RW 55 ...*	<b>30,02</b>	40
75	RW 75 ...*	<b>33,42</b>	40
95	RW 95 ...*	<b>36,84</b>	40
120	RW 120 ...*	<b>46,17</b>	40
150	RW 150 ...*	<b>51,30</b>	40

#### Schlüter®-BARA-RW-E



acciaio inossidabile V2A

H (mm)	L = 2,50 m Cod. Art.	CHF / m	cassa (pz.)
15	RW 15 E	<b>38,21</b>	40
25	RW 25 E	<b>39,73</b>	40
30	RW 30 E	<b>41,84</b>	40
40	RW 40 E	<b>44,14</b>	40
55	RW 55 E	<b>48,50</b>	40
75	RW 75 E	<b>54,50</b>	40
95	RW 95 E	<b>60,33</b>	40
120	RW 120 E	<b>67,71</b>	40
150	RW 150 E	<b>76,63</b>	40

## Angolo | Innesto

#### Schlüter®-BARA-RW/E 90°

angolo esterno 90°  
alluminio colorato

H (mm)	Cod. Art.	CHF / pz	crt. (pz.)
15	E90 / RW 15 ...*	<b>32,54</b>	10
25	E90 / RW 25 ...*	<b>33,35</b>	10
30	E90 / RW 30 ...*	<b>34,08</b>	10
40	E90 / RW 40 ...*	<b>34,81</b>	10
55	E90 / RW 55 ...*	<b>36,45</b>	10
75	E90 / RW 75 ...*	<b>38,37</b>	10
95	E90 / RW 95 ...*	<b>40,36</b>	10
120	E90 / RW 120 ...*	<b>55,30</b>	10
150	E90 / RW 150 ...*	<b>58,22</b>	10

#### Schlüter®-BARA-RW-E/E 90°

angolo esterno 90°  
acciaio inossidabile V2A

H (mm)	Cod. Art.	CHF / pz	crt. (pz.)
15	E90 / RW 15 E	<b>46,57</b>	10
25	E90 / RW 25 E	<b>47,60</b>	10
30	E90 / RW 30 E	<b>49,00</b>	10
40	E90 / RW 40 E	<b>50,53</b>	10
55	E90 / RW 55 E	<b>53,49</b>	10
75	E90 / RW 75 E	<b>57,48</b>	10
95	E90 / RW 95 E	<b>71,84</b>	10
120	E90 / RW 120 E	<b>76,71</b>	10
150	E90 / RW 150 E	<b>82,67</b>	10

#### Schlüter®-BARA-RW/V

innesto alluminio colorato

H (mm)	Cod. Art.	CHF / pz	crt. (pz.)
15	V / RW 15 ...*	<b>7,18</b>	50
25	V / RW 25 ...*	<b>7,18</b>	50
30	V / RW 30 ...*	<b>7,18</b>	50
40	V / RW 40 ...*	<b>7,18</b>	50
55	V / RW 55 ...*	<b>7,18</b>	50
75	V / RW 75 ...*	<b>8,55</b>	50
95	V / RW 95 ...*	<b>8,55</b>	50
120	V / RW 120 ...*	<b>8,55</b>	50
150	V / RW 150 ...*	<b>8,55</b>	50

#### Schlüter®-BARA-RW-E/V

innesto acciaio inossidabile V2A

H (mm)	Cod. Art.	CHF / pz	crt. (pz.)
15	V / RW 15 E	<b>8,59</b>	50
25	V / RW 25 E	<b>8,59</b>	50
30	V / RW 30 E	<b>8,59</b>	50
40	V / RW 40 E	<b>8,59</b>	50
55	V / RW 55 E	<b>8,59</b>	50
75	V / RW 75 E	<b>10,27</b>	50
95	V / RW 95 E	<b>10,27</b>	50
120	V / RW 120 E	<b>10,27</b>	50
150	V / RW 150 E	<b>10,27</b>	50

Completare il Cod. Art. con il colore  
(ad es. V / RW 15 PG)



\* Colori disponibili: AG - BW - GM - PG - SB

A pagina 340 e segg. è disponibile una panoramica delle finiture e dei colori.

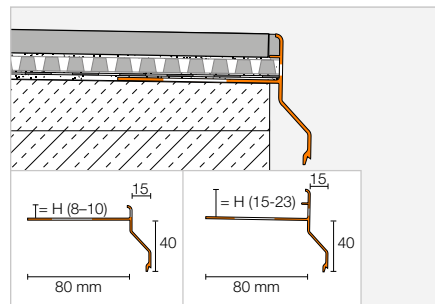


## Profilo di chiusura

### Schlüter®-BARA-RKKE



Schlüter-BARA-RKKE è un profilo di chiusura a T con bordo di gocciolamento poco sporgente, quindi particolarmente adatto se il montante della ringhiera è fissato frontalmente, da installare su massetto in pendenza. Il profilo BARA-RKKE è stato concepito per essere abbinato al sistema di impermeabilizzazione e drenaggio Schlüter-DITRA-DRAIN. L'alzata superiore traforata del profilo permette una copertura della sezione anteriore della piastrella e un libero deflusso dell'acqua di drenaggio.



#### Schlüter®-BARA-RKKE

alluminio colorato

H (mm)	L = 2,50 m Cod. Art.	CHF / m	cassa (pz.)
8	RKKE 8 ...*	<b>46,79</b>	40
10	RKKE 10 ...*	<b>47,78</b>	40
15	RKKE 15 ...*	<b>50,04</b>	40
18	RKKE 18 ...*	<b>51,99</b>	40
21	RKKE 21 ...*	<b>54,75</b>	40
23	RKKE 23 ...*	<b>56,66</b>	40

(Scheda tecnica 5.24)

**MyDesign by Schlüter-Systems**  
 E' possibile personalizzare il colore scegliendo tra 190 tonalità della gamma RAL Classic.  
 Per maggiori dettagli consultare pag. 16.

**Nota:**  
 Le altezze 21 e 23 mm possono essere utilizzate anche con Schlüter-DITRA-DRAIN 8.

## Angolo | Innesto

#### Schlüter®-BARA-RKKE/E 90°

angolo esterno 90°

H (mm)	Cod. Art.	CHF / pz	crt. (pz.)
8	E90 / RKKE 8 ...*	<b>60,42</b>	10
10	E90 / RKKE 10 ...*	<b>60,42</b>	10
15	E90 / RKKE 15 ...*	<b>60,42</b>	10
18	E90 / RKKE 18 ...*	<b>60,42</b>	10
21	E90 / RKKE 21 ...*	<b>60,42</b>	10
23	E90 / RKKE 23 ...*	<b>60,42</b>	10

#### Schlüter®-BARA-RKKE/E 135°

angolo esterno 135°

H (mm)	Cod. Art.	CHF / pz	crt. (pz.)
8	E135 / RKKE 8 ...*	<b>60,42</b>	10
10	E135 / RKKE 10 ...*	<b>60,42</b>	10
15	E135 / RKKE 15 ...*	<b>60,42</b>	10
18	E135 / RKKE 18 ...*	<b>60,42</b>	10
21	E135 / RKKE 21 ...*	<b>60,42</b>	10
23	E135 / RKKE 23 ...*	<b>60,42</b>	10

#### Schlüter®-BARA-RKKE/I 90°

angolo interno 90°

H (mm)	Cod. Art.	CHF / pz	crt. (pz.)
8	I90 / RKKE 8 ...*	<b>60,42</b>	10
10	I90 / RKKE 10 ...*	<b>60,42</b>	10
15	I90 / RKKE 15 ...*	<b>60,42</b>	10
18	I90 / RKKE 18 ...*	<b>60,42</b>	10
21	I90 / RKKE 21 ...*	<b>60,42</b>	10
23	I90 / RKKE 23 ...*	<b>60,42</b>	10

#### Schlüter®-BARA-RKK/V

innesto

H (mm)	Cod. Art.	CHF / pz	crt. (pz.)
8	V / RKK 8 ...*	<b>4,19</b>	50
10	V / RKK 10 ...*	<b>4,19</b>	50
15	V / RKK 15 ...*	<b>4,19</b>	50
18	V / RKK 18 ...*	<b>4,19</b>	50
21	V / RKK 21 ...*	<b>4,19</b>	50
23	V / RKK 23 ...*	<b>4,19</b>	50

**Angoli personalizzabili disponibili**  
 Maggiori informazioni alle pagg. 339.

Completare il Cod. Art. con il colore (ad es. V / RKK 8 PG)



\* Colori disponibili: GM - PG - SB

A pagina 340 e segg. è disponibile una panoramica delle finiture e dei colori.





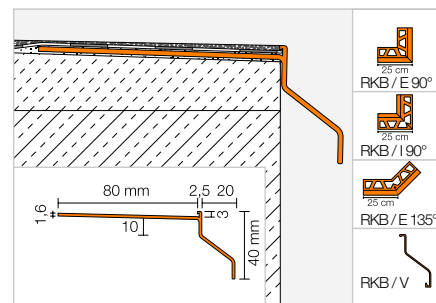
## Profilo di chiusura

### Schlüter®-BARA-RKB



Schlüter-BARA-RKB è un profilo di chiusura indicato per diversi materiali sottili di rivestimento. L'aletta frontale favorisce il deflusso dell'acqua.

(Scheda tecnica 5.18)



### Schlüter®-BARA-RKB

alluminio colorato

L = 2,50 m Cod. Art.	CHF / m	cassa (pz.)
RKB 3 ...*	33,66	40

**MyDesign by Schlüter-Systems**  
E' possibile personalizzare il colore scegliendo tra 190 tonalità della gamma RAL Classic.  
Per maggiori dettagli consultare pag. 16.

## Angolo | Innesto

### Schlüter®-BARA-RKB/E 90°

angolo esterno 90°

Cod. Art.	CHF / pz	crt. (pz.)
E90 / RKB 3 ...*	45,09	10

### Schlüter®-BARA-RKB/E 135°

angolo esterno 135°

Cod. Art.	CHF / pz	crt. (pz.)
E135 / RKB 3 ...*	47,02	10

### Schlüter®-BARA-RKB/I 90°

angolo interno 90°

Cod. Art.	CHF / pz	crt. (pz.)
I90 / RKB 3 ...*	45,09	10

### Schlüter®-BARA-RKB/V

innesto

Cod. Art.	CHF / pz	crt. (pz.)
V / RKB 3 ...*	4,19	50

**Angoli personalizzabili disponibili**  
Maggiori informazioni alle pagg. 339.

Completare il Cod. Art. con il colore (ad es. V / RKB 3 GM)



\* Colori disponibili: AG - BW - GM - PG - SB

A pagina 340 e segg. è disponibile una panoramica delle finiture e dei colori.

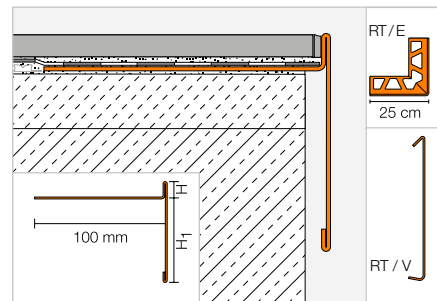


## Profilo di chiusura

### Schlüter®-BARA-RT



Schlüter-BARA-RT è un profilo in alluminio colorato adatto per balconi e terrazzi. Estremamente versatile, consente di proteggere e chiudere il bordo esterno della pavimentazione. Può essere utilizzato anche come protezione del massetto sottostante.  
(Scheda tecnica 5.19)



### Schlüter®-BARA-RT



alluminio colorato

H/H1 (mm)	L = 2,50 m Cod. Art.	CHF / m	cassa (pz.)
9/60	RT 9/60 ...*	<b>45,40</b>	40
12/16	RT 12/16 ...*	<b>39,72</b>	40
12/65	RT 12/65 ...*	<b>45,40</b>	40
20/50	RT 20/50 ...*	<b>45,40</b>	40
25/40	RT 25/40 ...*	<b>45,40</b>	40
30/35	RT 30/35 ...*	<b>46,23</b>	40

## Angolo | Innesto

### Schlüter®-BARA-RT/E 90°

angolo esterno 90°

H/H1 (mm)	Cod. Art.	CHF / pz	crt. (pz.)
9/60	E90 / RT 9/60 ...*	<b>49,92</b>	10
12/16	E90 / RT 12/16 ...*	<b>45,60</b>	10
12/65	E90 / RT 12/65 ...*	<b>49,92</b>	10
20/50	E90 / RT 20/50 ...*	<b>49,92</b>	10
25/40	E90 / RT 25/40 ...*	<b>49,92</b>	10
30/35	E90 / RT 30/35 ...*	<b>50,21</b>	10

### Schlüter®-BARA-RT/V

innesto

H/H1 (mm)	Cod. Art.	CHF / pz	crt. (pz.)
9/60	V / RT 9/60 ...*	<b>8,55</b>	50
12/16	V / RT 12/16 ...*	<b>7,18</b>	50
12/65	V / RT 12/65 ...*	<b>8,55</b>	50
20/50	V / RT 20/50 ...*	<b>8,57</b>	50
25/40	V / RT 25/40 ...*	<b>8,57</b>	50
30/35	V / RT 30/35 ...*	<b>8,55</b>	50

Completare il Cod. Art. con il colore (ad es. V / RT 9/60 GM)



\* Colori disponibili: AG - BW - GM - PG - SB

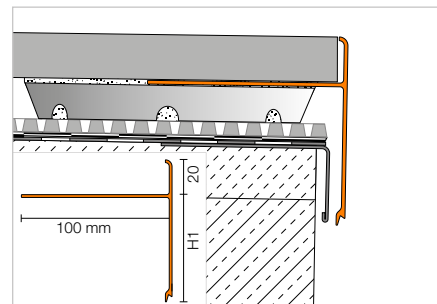
A pagina 340 e segg. è disponibile una panoramica delle finiture e dei colori.

## Profilo di chiusura

### Schlüter®-BARA-RTC



Schlüter-BARA-RTC è un profilo di chiusura a T in alluminio colorato adatto per bordi esposti di balconi e terrazzi. È ideale per la posa di piastrelle da 20 mm in abbinamento con i supporti per piastrelle della gamma Schlüter-TROBA. L'aletta superiore protegge il bordo delle piastrelle, mentre l'aletta inferiore copre il supporto e funge da gocciolatoio. (Scheda tecnica 5.19)



### Schlüter®-BARA-RTC

alluminio colorato

H/H1 (mm)	L = 2,50 m Cod. Art.	CHF / m	cassa (pz.)
20/20	RTC 20/20 ...*	<b>39,78</b>	40
20/40	RTC 20/40 ...*	<b>42,09</b>	40
20/50	RTC 20/50 ...*	<b>46,70</b>	40
20/60	RTC 20/60 ...*	<b>48,43</b>	40
20/80	RTC 20/80 ...*	<b>50,74</b>	40
20/100	RTC 20/100 ...*	<b>55,35</b>	40

## Angolo | Innesto

### Schlüter®-BARA-RTC/E 90°

angolo esterno 90°

H/H1 (mm)	Cod. Art.	CHF / pz	crt. (pz.)
20/20	E90 / RTC 20/20 ...*	<b>57,66</b>	10
20/40	E90 / RTC 20/40 ...*	<b>59,96</b>	10
20/50	E90 / RTC 20/50 ...*	<b>61,12</b>	10
20/60	E90 / RTC 20/60 ...*	<b>62,27</b>	10
20/80	E90 / RTC 20/80 ...*	<b>64,58</b>	10
20/100	E90 / RTC 20/100 ...*	<b>66,88</b>	10

### Schlüter®-BARA-RTC/V

innesto

H/H1 (mm)	Cod. Art.	CHF / pz	crt. (pz.)
20/20	V / RTC 20/20 ...*	<b>8,08</b>	50
20/40	V / RTC 20/40 ...*	<b>8,08</b>	50
20/50	V / RTC 20/50 ...*	<b>8,08</b>	50
20/60	V / RTC 20/60 ...*	<b>8,08</b>	50
20/80	V / RTC 20/80 ...*	<b>8,08</b>	50
20/100	V / RTC 20/100 ...*	<b>8,08</b>	50

**Angoli personalizzabili disponibili**  
Maggiori informazioni alle pagg. 339.

Completare il Cod. Art. con il colore (ad es. V / RTC 20/20 BW)



\* Colori disponibili: AG - BW - GM - PG - SB

A pagina 340 e segg. è disponibile una panoramica delle finiture e dei colori.

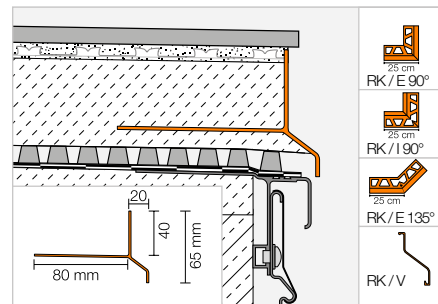


## Profilo di chiusura

### Schlüter®-BARA-RK



Schlüter-BARA-RK è un profilo di chiusura munito di gocciolatoio. E' particolarmente adatto per proteggere la parte esterna del drenaggio TROBA. L'aletta di chiusura è inclinata in avanti per favorire il deflusso dell'acqua.  
(Scheda tecnica 5.4)



#### Schlüter®-BARA-RK

alluminio colorato

L = 2,50 m Cod. Art.	CHF / m	cassa (pz.)
RK 65 ...*	36,96	40

**MyDesign by Schlüter-Systems**  
E' possibile personalizzare il colore scegliendo tra 190 tonalità della gamma RAL Classic.  
Per maggiori dettagli consultare pag. 16.

## Angolo | Innesto

#### Schlüter®-BARA-RK/E 90°

angolo esterno 90°

Cod. Art.	CHF / pz	crt. (pz.)
E90 / RK 65 ...*	48,64	10

#### Schlüter®-BARA-RK/E 135°

angolo esterno 135°

Cod. Art.	CHF / pz	crt. (pz.)
E135 / RK 65 ...*	53,64	10

#### Schlüter®-BARA-RK/I 90°

angolo interno 90°

Cod. Art.	CHF / pz	crt. (pz.)
I90 / RK 65 ...*	48,64	10

#### Schlüter®-BARA-RK/V

innesto

Cod. Art.	CHF / pz	crt. (pz.)
V / RK 65 ...*	4,19	50

**Angoli personalizzabili disponibili**  
Maggiori informazioni alle pagg. 339.

Completare il Cod. Art. con il colore (ad es. V / RK 65 GM)



\* Colori disponibili: BW - GM - PG - SB

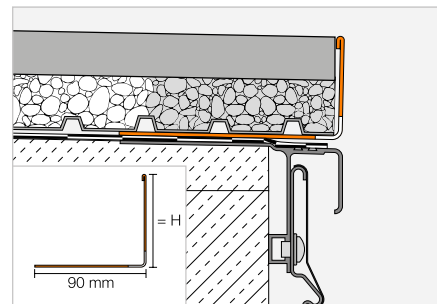
A pagina 340 e segg. è disponibile una panoramica delle finiture e dei colori.

## Profilo di chiusura

### Schlüter®-BARA-RWL



Schlüter-BARA-RWL è un profilo di chiusura traforato in alluminio colorato. E' particolarmente adatto per pavimenti galleggianti o posati su ghiaia, balconi e terrazzi.  
(Scheda tecnica 5.15)



#### Schlüter®-BARA-RWL



alluminio colorato

H (mm)	L = 2,50 m Cod. Art.	CHF / m	cassa (pz.)
15	RWL 15 ...*	23,52	40
25	RWL 25 ...*	24,93	40
30	RWL 30 ...*	25,59	40
40	RWL 40 ...*	27,54	40
55	RWL 55 ...*	30,02	40
75	RWL 75 ...*	33,42	40
95	RWL 95 ...*	36,84	40
120	RWL 120 ...*	46,17	40
150	RWL 150 ...*	51,30	40

#### Nota:

Si utilizzano gli stessi angoli esterni ed innesti del profilo Schlüter-BARA-RW.

Completare il Cod. Art. con il colore  
(ad es. RWL 15 PG)



\* Colori disponibili: AG - BW - GM - PG - SB

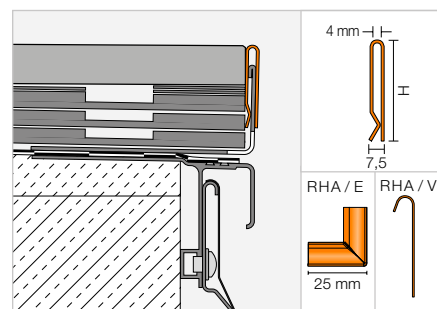
A pagina 340 e segg. è disponibile una panoramica delle finiture e dei colori.

## Profilo di chiusura

### Schlüter®-BARA-RHA



Schlüter-BARA-RHA è un profilo di chiusura in alluminio colorato adattabile in altezza. Integrato al profilo appropriato, come BARA-RWL oppure BARA-RKL, consente la chiusura su misura di un lato aperto di balconi e terrazzi. Con questa soluzione si può adattare la chiusura laterale di stratigrafie ad altezze complessive fino a 220 mm.  
(Scheda tecnica 5.16)



#### Schlüter®-BARA-RHA

alluminio colorato

H (mm)	L = 2,50 m Cod. Art.	CHF / m	cassa (pz.)
50	RHA 50 ...*	31,06	40
90	RHA 90 ...*	33,74	40

#### Nota:

I profili BARA-RWL e BARA-RKL sono da ordinare separatamente.

## Angolo | Innesto

#### Schlüter®-BARA-RHA/E 90°

angolo esterno 90°

H (mm)	Cod. Art.	CHF / pz	crt. (pz.)
50	E90 / RHA 50 ...*	16,55	10
90	E90 / RHA 90 ...*	16,55	10

#### Schlüter®-BARA-RHA/V

innesto

H (mm)	Cod. Art.	CHF / pz	crt. (pz.)
50	V / RHA 50 ...*	9,92	50
90	V / RHA 90 ...*	9,92	50

Completare il Cod. Art. con il colore  
(ad es. V / RHA 50 SB)



\* Colori disponibili: GM - PG - SB

A pagina 340 e segg. è disponibile una panoramica delle finiture e dei colori.



# Schlüter®-BARA-RKL 35

## Profili di chiusura per balconi e terrazzi

- ✓ Studiato specificatamente per l'utilizzo con ceramica spessorata di 2 cm
- ✓ Il bordo superiore di altezza 35 mm copre sia il lato a vista della ceramica che lo strato di drenaggio sottostante
- ✓ Provvisto di fori per lo scolo dell'acqua drenata e di bordo di sgocciolamento
- ✓ Accessori: angoli interni, esterni (90°/135°) e connettori
- ✓ Idoneo per la chiusura laterale di pavimentazioni realizzate con Schlüter-TROBA-LEVEL



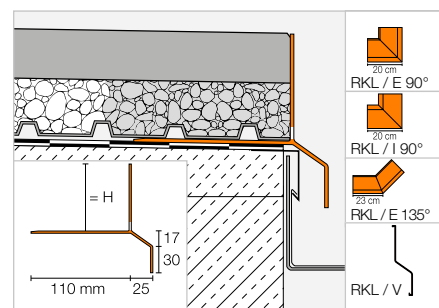
### Profilo di chiusura



## Schlüter®-BARA-RKL



Schlüter-BARA-RKL è un profilo di chiusura in alluminio colorato con traforatura per lo scolo dell'acqua. E' adatto per pavimenti galleggianti di grande formato o per lastre posate su ghiaia o pietrisco.  
(Scheda tecnica 5.20)



### Schlüter®-BARA-RKL

alluminio colorato

H (mm)	L = 2,50 m Cod. Art.	CHF / m	cassa (pz.)
30	RKL 30 ...*	<b>60,26</b>	40
35	RKL 35 ...*	<b>63,18</b>	40
40	RKL 40 ...*	<b>66,10</b>	40
50	RKL 50 ...*	<b>67,84</b>	40
75	RKL 75 ...*	<b>71,30</b>	40

#### Nota:

Schlüter-BARA-RKL 35 e 40 sono particolarmente indicati per coperture in ceramica o lapideo di spessore di 2 cm.

**MyDesign by Schlüter-Systems**  
E' possibile personalizzare il colore scegliendo tra 190 tonalità della gamma RAL Classic.  
Per maggiori dettagli consultare pag. 16.

## Angolo | Innesto

## Schlüter®-BARA-RKL/E 90°

angolo esterno 90°

H (mm)	Cod. Art.	CHF / pz	crt. (pz.)
30	E90 / RKL 30 ...*	<b>96,80</b>	10
35	E90 / RKL 35 ...*	<b>96,80</b>	10
40	E90 / RKL 40 ...*	<b>96,80</b>	10
50	E90 / RKL 50 ...*	<b>96,80</b>	10
75	E90 / RKL 75 ...*	<b>96,80</b>	10

## Schlüter®-BARA-RKL/E 135°

angolo esterno 135°

H (mm)	Cod. Art.	CHF / pz	crt. (pz.)
30	E135 / RKL 30 ...*	<b>96,80</b>	10
35	E135 / RKL 35 ...*	<b>96,80</b>	10
40	E135 / RKL 40 ...*	<b>96,80</b>	10
50	E135 / RKL 50 ...*	<b>96,80</b>	10
75	E135 / RKL 75 ...*	<b>96,80</b>	10

## Schlüter®-BARA-RKL/I 90°

angolo interno 90°

H (mm)	Cod. Art.	CHF / pz	crt. (pz.)
30	I90 / RKL 30 ...*	<b>96,80</b>	10
35	I90 / RKL 35 ...*	<b>96,80</b>	10
40	I90 / RKL 40 ...*	<b>96,80</b>	10
50	I90 / RKL 50 ...*	<b>96,80</b>	10
75	I90 / RKL 75 ...*	<b>96,80</b>	10

## Schlüter®-BARA-RKL/V

innesto

H (mm)	Cod. Art.	CHF / pz	crt. (pz.)
30	V / RKL 30 ...*	<b>8,07</b>	50
35	V / RKL 35 ...*	<b>8,07</b>	50
40	V / RKL 40 ...*	<b>8,07</b>	50
50	V / RKL 50 ...*	<b>8,07</b>	50
75	V / RKL 75 ...*	<b>8,07</b>	50

 **Angoli personalizzabili disponibili**  
Maggiori informazioni alle pagg. 339.

Completare il Cod. Art. con il colore (ad es. V / RKL 30 GM)

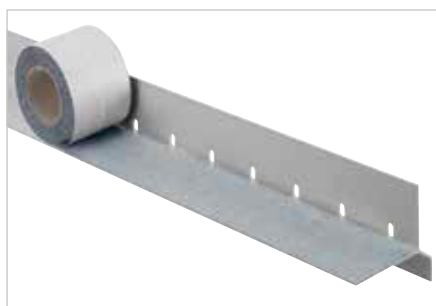


\* Colori disponibili: AG - BW - GM - PG - SB

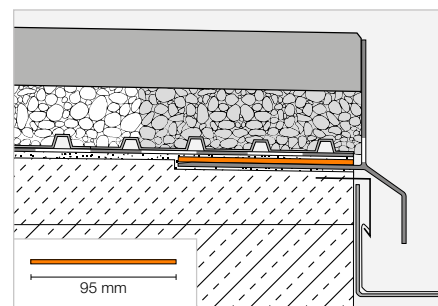
A pagina 340 e segg. è disponibile una panoramica delle finiture e dei colori.

## Nastro in tessuto non tessuto con bitile autoadesivo

## Schlüter®-BARA-HV



Schlüter-BARA-HV è un nastro adesivo in polietilene con un tessuto non tessuto nella parte superiore e con uno strato di bitile autoadesivo sul retro. Questo nastro è particolarmente indicato per realizzare una flangia di tenuta fra il sistema di impermeabilizzazione, per esempio Schlüter-KERDI, ed il profilo di chiusura Schlüter-BARA-RKL. (Scheda tecnica 5.20)



## Schlüter®-BARA-HV

nastro in tessuto non tessuto autoadesivo

B (mm)	Rotoli = 5 m Cod. Art.	CHF / m	crt. (rotoli)
95	HVL 95 / 5M	<b>8,91</b>	10

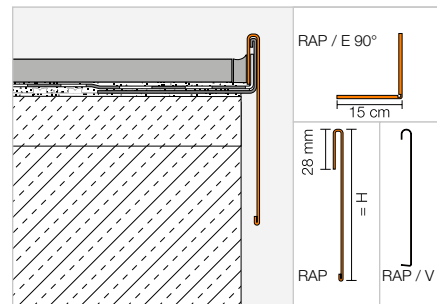


## Profilo di chiusura | Angolo | Innesto

### Schlüter®-BARA-RAP



Schlüter-BARA-RAP è un profilo di chiusura in alluminio colorato. In abbinamento al profilo di sostegno Schlüter-BARA-RW consente la chiusura (laterale) di balconi e terrazzi. (Scheda tecnica 5.17)



#### Schlüter®-BARA-RAP

alluminio colorato

H (mm)	L = 2,50 m Cod. Art.	CHF / m	cassa (pz.)
75	RAP 75 PG	<b>31,68</b>	40
86	RAP 90 PG	<b>32,90</b>	40
110	RAP 110 PG	<b>34,57</b>	40

#### Nota:

I profili di sostegno Schlüter-BARA-RW sono da ordinare separatamente.

#### Schlüter®-BARA-RAP/E 90°

angolo esterno 90°  
alluminio colorato

H (mm)	Cod. Art.	CHF / pz	crt. (pz.)
75	E90 / RAP 75 PG	<b>36,92</b>	10
86	E90 / RAP 90 PG	<b>38,28</b>	10
110	E90 / RAP 110 PG	<b>39,60</b>	10

#### Colorazioni disponibili:

PG

Colori disponibili: PG

A pagina 340 e segg. è disponibile una panoramica delle finiture e dei colori.

#### Schlüter®-BARA-RAP/V

innesto  
alluminio colorato

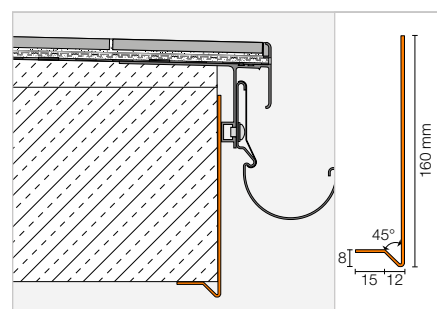
H (mm)	Cod. Art.	CHF / pz	crt. (pz.)
75	V / RAP 75 PG	<b>8,55</b>	50
86	V / RAP 90 PG	<b>8,55</b>	50
110	V / RAP 110 PG	<b>8,55</b>	50

## Profilo di chiusura | Angolo

### Schlüter®-BARA-FAP



Schlüter-BARA-FAP è un profilo per la copertura dei frontali di balconi sporgenti. (Scheda tecnica 5.23)



#### Schlüter®-BARA-FAP

alluminio colorato

L = 2,50 m Cod. Art.	CHF / m	cassa (pz.)
FAP 165 ...*	<b>49,39</b>	40

#### Schlüter®-BARA-FAP/E 90°

angolo esterno 90°

Cod. Art.	CHF / pz	crt. (pz.)
E90 / FAP 165 ...*	<b>49,07</b>	10

#### Completare il Cod. Art. con il colore (ad es. E90 / FAP 165 GM)

BW GM PG SB

\* Colori disponibili: BW - GM - PG - SB

A pagina 340 e segg. è disponibile una panoramica delle finiture e dei colori.



#### Nota:

Raccomandiamo l'utilizzo di Schlüter-BARA-STU per raccordare i profili tra loro.

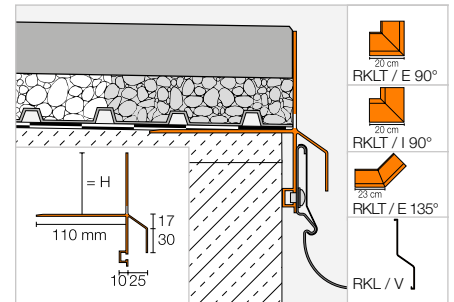


## Profilo di chiusura con predisposizione per grondaia

### Schlüter®-BARA-RKLT



Schlüter-BARA-RKLT è un profilo di chiusura in alluminio colorato con traforatura per lo scolo dell'acqua. È adatto per pavimenti galleggianti di grande formato o per lastre posate su ghiaia o pietrisco. BARA-RKLT è realizzato a forma di T ed è predisposto per l'ancoraggio del sistema Schlüter-BARIN. (Scheda tecnica 5.20)



### Schlüter®-BARA-RKLT

alluminio colorato

H (mm)	L = 2,50 m Cod. Art.	CHF / m	cassa (pz.)
30	RKLT 30 ...*	<b>71,93</b>	40
40	RKLT 40 ...*	<b>77,81</b>	40
50	RKLT 50 ...*	<b>79,57</b>	40
75	RKLT 75 ...*	<b>82,98</b>	40

## Angolo | Innesto

### Schlüter®-BARA-RKLT/E 90°

angolo esterno 90°

H (mm)	Cod. Art.	CHF / pz	crt. (pz.)
30	E90 / RKLT 30 ...*	<b>101,11</b>	10
40	E90 / RKLT 40 ...*	<b>101,11</b>	10
50	E90 / RKLT 50 ...*	<b>101,11</b>	10
75	E90 / RKLT 75 ...*	<b>101,11</b>	10

### Schlüter®-BARA-RKLT/E 135°

angolo esterno 135°

H (mm)	Cod. Art.	CHF / pz	crt. (pz.)
30	E135 / RKLT 30 ...*	<b>101,11</b>	10
40	E135 / RKLT 40 ...*	<b>101,11</b>	10
50	E135 / RKLT 50 ...*	<b>101,11</b>	10
75	E135 / RKLT 75 ...*	<b>101,11</b>	10

### Schlüter®-BARA-RKLT/I 90°

angolo interno 90°

H (mm)	Cod. Art.	CHF / pz	crt. (pz.)
30	I90 / RKLT 30 ...*	<b>101,11</b>	10
40	I90 / RKLT 40 ...*	<b>101,11</b>	10
50	I90 / RKLT 50 ...*	<b>101,11</b>	10
75	I90 / RKLT 75 ...*	<b>101,11</b>	10

### Schlüter®-BARA-RKL/V

innesto

H (mm)	Cod. Art.	CHF / pz	crt. (pz.)
30	V / RKL 30 ...*	<b>8,07</b>	50
40	V / RKL 40 ...*	<b>8,07</b>	50
50	V / RKL 50 ...*	<b>8,07</b>	50
75	V / RKL 75 ...*	<b>8,07</b>	50

**Angoli personalizzabili disponibili**  
Maggiori informazioni alle pagg. 339.

Completare il Cod. Art. con il colore (ad es. V / RKL 30 PG)

GM PG SB

\* Colori disponibili: GM - PG - SB

A pagina 340 e segg. è disponibile una panoramica delle finiture e dei colori.

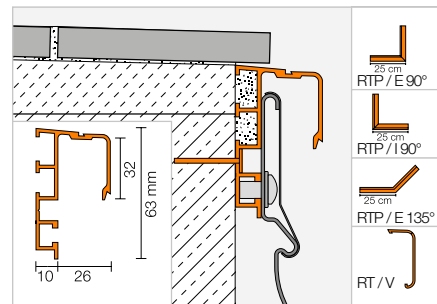


## Profilo di chiusura con predisposizione per grondaia

### Schlüter®-BARA-RTP



Schlüter-BARA-RTP è un profilo di chiusura munito di gocciolatoio adatto per l'installazione del sistema di gronda Schlüter-BARIN. Può essere applicato successivamente alla posa delle piastrelle. (Scheda tecnica 5.11)



### Schlüter®-BARA-RTP

alluminio colorato

L = 2,50 m Cod. Art.	CHF / m	cassa (pz.)
RTP 65 PG	40,69	40

## Angolo | Innesto | Viti

### Schlüter®-BARA-RTP/E 90°

angolo esterno 90°

Cod. Art.	CHF / pz	crt. (pz.)
E90 / RTP 65 PG	52,58	10

### Schlüter®-BARA-RTP/E 135°

angolo esterno 135°

Cod. Art.	CHF / pz	crt. (pz.)
E135 / RTP 65 PG	57,85	10

### Schlüter®-BARA-RTP/I 90°

angolo interno 90°

Cod. Art.	CHF / pz	crt. (pz.)
I90 / RTP 65 PG	52,58	10

### Schlüter®-BARA-RTK/V

innesto

Cod. Art.	CHF / pz	crt. (pz.)
V / RT 30 PG	3,70	50

### Schlüter®-BARA-RTP/S

viti speciali (tasselli inclusi)

Cod. Art.	CHF / kit	conf. (set)
RTPS 540	11,14	10

Kit = 10 pz.

### Colorazioni disponibili:

PG

Colori disponibili: PG

A pagina 340 e segg. è disponibile una panoramica delle finiture e dei colori.

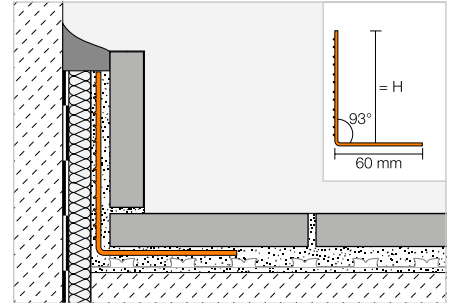


## Profilo di sostegno per battiscopa

### Schlüter®-BARA-ESOT



Schlüter-BARA-ESOT è un profilo di sostegno per battiscopa in acciaio inossidabile, utilizzato quando non è possibile fissare il battiscopa direttamente al supporto.  
(Scheda tecnica 5.1)



### Schlüter®-BARA-ESOT

acciaio inossidabile V2A

H (mm)	L = 2,50 m Cod. Art.	CHF / m	cassa (pz.)
60	ESOT 60	22,47	60
110	ESOT 110	29,20	60

## Strisce per giunzioni

### Schlüter®-BARA-STU



Schlüter-BARA-STU è una sottile lamiera in alluminio che può essere tagliata a misura con le forbici e fissata con Schlüter-KERDI-FIX, per esempio a copertura di giunzioni tra profili della serie Schlüter-BARA.

### Schlüter®-BARA-STU

strisce per giunzioni

Cod. Art.	CHF / pz	crt. (pz.)
STU 335 ...*	2,68	10

Lunghezza = 30 cm

Larghezza = 35 mm

Spessore = 0,5 mm

Completare il Cod. Art. con il colore (ad es. STU 335 GM)



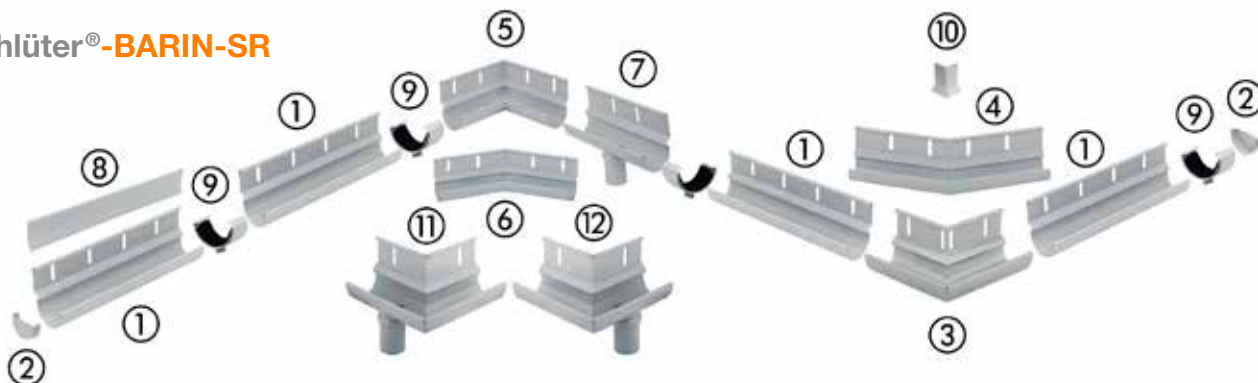
\* Colori disponibili: BW - GM - PG - SB

A pagina 340 e segg. è disponibile una panoramica delle finiture e dei colori.

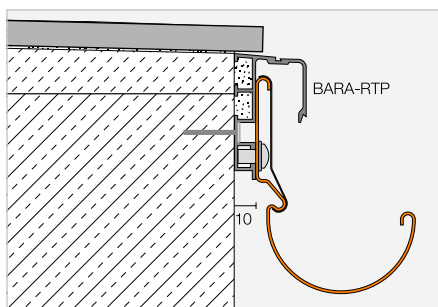
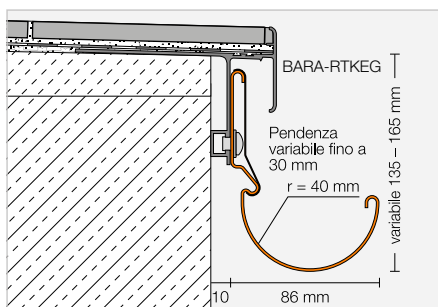


## Sistema di gronda

### Schlüter®-BARIN-SR



Schlüter-BARIN-SR è un sistema di gronda in alluminio colorato per balconi e terrazzi. Può essere fissato ai profili Schlüter-BARA corrispondenti.  
(Scheda tecnica 10.1)



#### Nota:

Per motivi tecnici sono possibili piccole variazioni di colore dei singoli componenti.

### Schlüter®-BARIN-SR-AC

alluminio colorato

Descrizione articolo	Cod. Art.	CHF / kit	cassa (set)
set BARIN gronda 2,50 m 1 gronda 2,50 m ① 1 profilo di copertura 2,50 + 0,50 m ⑧ 1 connettore ⑨ 8 pz. viti	BSR4 R 250 ...*	<b>178,64</b>	60
set BARIN gronda 1,50 m 1 gronda 1,50 m ① 1 profilo di copertura 1,50 m + 0,50 m ⑧ 1 connettore ⑨ 4 pz. viti	BSR4 R 150 ...*	<b>105,52</b>	60
set BARIN terminale 2 tappi di chiusura ② 2 connettori ⑨	BSR4 E 2 ...*	<b>36,73</b>	60
set BARIN angolo esterno 90° 1 angolo ③ 2 connettori ⑨ 1 profilo di copertura angolo ⑩	BSR4 EWG 90 ...*	<b>120,51</b>	60
set BARIN angolo esterno 90° con scarico sinistro 1 angolo ⑪ 2 connettori ⑨ 1 profilo di copertura angolo ⑩	BSR4 E90 L DN 60 ...*	<b>153,73</b>	60
set BARIN angolo esterno 90° con scarico destro 1 angolo ⑫ 2 connettori ⑨ 1 profilo di copertura angolo ⑩	BSR4 E90 R DN 60 ...*	<b>153,73</b>	60
set BARIN angolo esterno 135° 1 angolo ④ 2 connettori ⑨ 1 profilo di copertura angolo ⑩	BSR4 EWG 135 ...*	<b>120,51</b>	60
set BARIN angolo interno 90° 1 angolo ⑤ 2 connettori ⑨	BSR4 IWG 90 ...*	<b>120,51</b>	60
set BARIN angolo interno 135° 1 angolo ⑥ 2 connettori ⑨	BSR4 IWG 135 ...*	<b>120,51</b>	60
BARIN scarico 1 gronda 20 cm con supporto ⑦ 2 connettori ⑨ 2 pz. viti	BSR4 A DN 60 ...*	<b>55,20</b>	60

 **Angoli personalizzabili disponibili**  
Maggiori informazioni alle pagg. 339.

Completare il Cod. Art. con il colore (ad es. BSR4 R 250 GM)



\* Colori disponibili: BW - GM - PG - SB

A pagina 340 e segg. è disponibile una panoramica delle finiture e dei colori.

## Sistema di gronda

### Schlüter®-BARIN-R

Schlüter-BARIN-R è un sistema di tubi in alluminio colorato con i rispettivi pezzi speciali. (Scheda tecnica 10.1)



I pluviali sono dotati di una connessione ad incastro. Il manicotto (8) può essere utilizzato per collegare due pluviali del sistema Schlüter-BARIN senza raccordo.



Schlüter-KERDI-DRAIN-SP-E, in acciaio inossidabile (pag. 302).

### Schlüter®-BARIN-R-AC

alluminio colorato

Descrizione articolo	Cod. Art.	CHF / pz	cassa (pz.)
pluviale, 1,00 m Ø 60 mm ①	BR 100 DN 60 ...*	<b>50,60</b>	60
pluviale, 2,50 m Ø 60 mm ①	BR 250 DN 60 ...*	<b>116,25</b>	60
gomito 40° Ø 60 mm ③	BR B40 DN 60 ...*	<b>58,10</b>	60
gomito 72° Ø 60 mm ④	BR B72 DN 60 ...*	<b>58,10</b>	60
gomito 85° Ø 60 mm ⑤	BR B85 DN 60 ...*	<b>58,10</b>	60
tubo a T 72° Ø 60 mm ⑥	BR AZ DN 60 ...*	<b>130,93</b>	60
manicotto ⑧	BR AM DN 60 ...*	<b>33,62</b>	60
tubo di scarico 25 cm Ø 50 mm ⑦ per BARIN-SR scarichi Ø 50 mm	BR SP25 DN 50 ...*	<b>109,51</b>	60
tubo di scarico 40 cm Ø 50 mm ⑦ per BARIN-SR scarichi Ø 50 mm	BR SP40 DN 50 ...*	<b>118,83</b>	60
set fascetta per tubi ② 2 fascette per tubi vite di fissaggio 100 mm	BR RS100 DN 60 ...*	<b>23,31</b>	60
set fascetta per tubi ② 2 fascette per tubi vite di fissaggio 200 mm	BR RS200 DN 60 ...*	<b>25,16</b>	60
vite di fissaggio 200 mm per fascette per tubi	BR SS 200	<b>6,02</b>	60

Schlüter-BARIN-R-SK è un cappuccio di copertura che permette di coprire il raccordo tra il tubo Schlüter-BARIN Ø 60 mm ed il pluviale principale.

Schlüter-BARIN-R-AZ è un tubo che permette di raccordare i tubi Schlüter-BARIN Ø 60 mm su un pluviale esistente Ø 110 mm (DN 100) per lo scarico dell'acqua piovana.

### Schlüter®-BARIN-R-Z/-K

zinco / rame

Descrizione articolo	Cod. Art.	CHF / pz	cassa (pz.)
cappuccio di copertura in zinco Ø 60 / 116 mm ⑨	BR SK DN 60 / 116 Z	<b>9,55</b>	60
tubo a T in zinco 85° Ø 110 / 60 mm (DN 100/60) ⑩	BR AZ DN 100 / 60 Z	<b>136,37</b>	60
tubo a T in rame 85° Ø 110 / 60 mm (DN 100/60) ⑩	BR AZ DN 100 / 60 K	<b>153,73</b>	60

Completare il Cod. Art. con il colore (ad es. BR 100 DN 60 GM)



\* Colori disponibili: BW - GM - PG - SB

A pagina 340 e segg. è disponibile una panoramica delle finiture e dei colori.



# Accessori Schlüter

Il vostro lavoro lo merita

Attrezzature professionali per veri professionisti. In questo capitolo trovate gli accessori e le attrezzature per la posa delle nostre guaine di desolidarizzazione, per la piegatura dei nostri profili o per la realizzazione di aperture ispezionabili invisibili. Tutto naturalmente con la qualità Schlüter.





## Calamite per aperture ispezionabili

Schlüter®-REMA 336

## Utensili

Schlüter®-RUMA 336

Schlüter®-TROWEL 336

Schlüter®-PROCUT-PSF 337

Schlüter®-PROCUT-TSM 337

## Pulizia e lucidatura

Schlüter®-CLEAN-CP 337



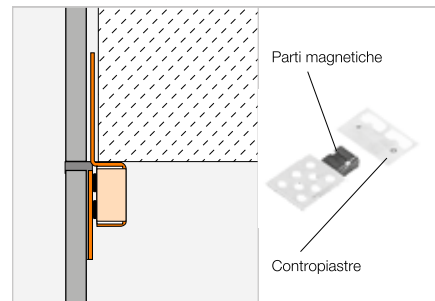
## Calamite per aperture ispezionabili

### Schlüter®-REMA



Schlüter-REMA è un insieme di componenti che consentono di creare un pannello mobile per l'ispezione di zone di apertura nei rivestimenti in ceramica. REMA viene utilizzato indipendentemente dallo spessore e dalla dimensione delle piastrelle e permette di allineare l'apertura di ispezione alle fughe del rivestimento.

(Scheda tecnica 11.1)



### Schlüter®-REMA

1 pz. = 4 parti magnetiche + 4 contropiastre

Cod. Art.	CHF / kit	conf. (set)	cassa (set)
REMA	12,10	50	200

## Utensile

### Schlüter®-RUMA



Schlüter-RUMA è un utensile per curvare i profili con traforatura speciale.

### Schlüter®-RUMA

piegatrice

Cod. Art.	CHF / pz
RM	488,40

### Schlüter®-TROWEL

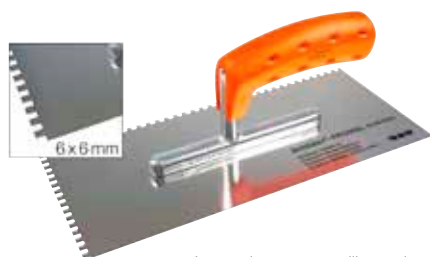


Immagine a scopo illustrativo

Schlüter-TROWEL è una spatola con impugnatura ergonomica. Le dentature sono adatte per l'incollaggio dei sistemi Schlüter-DITRA, -KERDI e DITRA-HEAT.

### Schlüter®-TROWEL

spatola dentata in acciaio inossidabile (280 mm x 130 mm)

Dentatura	Cod. Art.	CHF / pz	crt. (pz.)
4 x 4	TRL 4X4	22,11	10
6 x 6	TRL 6X6	22,11	10

#### Nota:

Dentatura 4 x 4 per Schlüter-DITRA, -DITRA-DRAIN 8, -DITRA-SOUND e -KERDI.

Dentatura 6 x 6 per Schlüter-DITRA-DRAIN 4 e -DITRA-HEAT.



## Utensile

**Schlüter®-PROCUT-PSF**

Schlüter-PROCUT-PSF è un tronchese per profili.

**Schlüter®-PROCUT-PSF**

tronchese per profili

Cod. Art.	CHF / pz	crt. (pz.)
PSF	84,51	10

**Schlüter®-PROCUT-PS-EK**

pezzo di ricambio: lama

Cod. Art.	CHF / pz	crt. (pz.)
PS 90 / 45 EK	31,35	10

**Schlüter®-PROCUT-PSF 10**

display da banco per tronchesi

Cod. Art.	CHF / Conf.
PSF 10	810,81

**Schlüter®-PROCUT-TSM**

Schlüter-PROCUT-TSM è un disco Ø 115 mm, particolarmente adatto per tagliare in modo netto acciaio, alluminio ed ottone.

**Schlüter®-PROCUT-TSM**

disco per tagliare

Cod. Art.	CHF / pz	crt. (pz.)
TSM 115/1	12,18	10

## Pulizia e lucidatura

**Schlüter®-CLEAN-CP**

Schlüter-CLEAN-CP è una pasta lucidante per la pulizia di profili in metallo, particolarmente adatta per superfici in acciaio inossidabile. Può essere utilizzato anche per pulire profili in alluminio, ottone ed altri materiali. (Scheda tecnica 13.1)

**Schlüter®-CLEAN-CP**

pasta lucidante e pulente

Contenuto (ml)	Cod. Art.	CHF / pz	crt. (pz.)
125	CPP 125	23,06	10



# Profili Schlüter

La speciale traforatura per “curvabilità” che fa la differenza



Per proteggere i bordi di pavimenti e rivestimenti realizzati con forme e disegni arrotondati sono disponibili vari profili in metallo realizzati con una speciale traforatura che li rende curvabili. Per ragioni tecniche non è possibile avere profili da 1 m con la speciale traforatura per rendere curvabile il profilo. I prodotti disponibili con speciale traforatura per essere curvati, nel listino prezzo sono identificati con questo simbolo:



Le tabelle a seguire riportano i profili disponibili con speciale traforatura e le relative maggiorazioni di prezzo.

La curvatura con Schlüter-RUMA è di circa 1 m e 3 m. Schlüter-SCHIENE può essere piegato da un'altezza minima di 6 mm. Per altezze inferiori, su richiesta. L'utensile non viene utilizzato per curvare i profili Schlüter-BARA.

Profilo	Maggiorazione
<b>Raggio di curvatura r = 1,00 m</b>	<b>CHF / m</b>
Schlüter-JOLLY-A	3,75
Schlüter-SCHIENE-A	3,75
Schlüter-SCHIENE-AC / -TS	3,75
Schlüter-SCHIENE-AE	3,75
Schlüter-SCHIENE-AV	3,75
Schlüter-SCHIENE-E / -E V4A	3,75
Schlüter-SCHIENE-EB	3,75
Schlüter-SCHIENE-M	3,75
Schlüter-SCHIENE-STEP-EB	3,75

Profilo	Maggiorazione
<b>Raggio di curvatura r = 3,00 m</b>	<b>CHF / m</b>
Schlüter-DECO-A	3,75
Schlüter-DECO-AE	3,75
Schlüter-DECO-AC	3,75
Schlüter-DECO-M	3,75
Schlüter-JOLLY-AC / -TS	3,75
Schlüter-JOLLY-AE	3,75
Schlüter-JOLLY-MC	3,75
Schlüter-QUADEC-A	3,75
Schlüter-QUADEC-AC / -TS	3,75
Schlüter-QUADEC-E / -E V4A	3,75
Schlüter-QUADEC-EP / -EB	3,75
Schlüter-RENO-AETK	3,75
Schlüter-RENO-ATK	3,75
Schlüter-RENO-MTK	3,75
Schlüter-RONDEC-A	3,75
Schlüter-RONDEC-AC / -TS	3,75
Schlüter-RONDEC-E / -E V4A	3,75
Schlüter-RONDEC-EP / -EB	3,75
Schlüter-SCHIENE-ES	3,75
Schlüter-BARA-RT	7,48
Schlüter-BARA-RW	7,48
Schlüter-BARA-RW-E	7,48
Schlüter-BARA-RWL	7,48

## Consegna:

Per ricevere il profilo con speciale traforatura, è necessario indicare “R/” davanti al Cod. Art. del profilo desiderato (ad.es. R / M 80).

I tempi di consegna per questa speciale lavorazione sono di ca. 14 giorni.

I profili vengono consegnati nella forma standard. Nel caso dell'acciaio tenere presente che si potrebbero verificare delle imperfezioni dovute a deformazioni del materiale.

In caso di dubbi, il nostro rivenditore di zona vi potrà assistere nella composizione dell'ordine.



Per rapida e semplice piegatura dei profili, utilizzare Schlüter-RUMA (vedi pag. 336).

# Schlüter®-BARA e Schlüter®-BARIN

## Angoli speciali



I profili Schlüter BARA proteggono i bordi di balconi e terrazzi e garantiscono il deflusso dell'acqua oltre il bordo della struttura. Il sistema di gronda Schlüter-BARIN-SR offre prodotti adeguati per il drenaggio delle superfici di balconi e terrazze.

I vostri progetti abitativi sono unici come lo siete voi. A tal fine, la gamma BARA e BARIN offre diverse opzioni di chiusura e drenaggio in colori standard, colori RAL del programma MyDesign (BARA) e, inoltre, anche angolazioni su misura dei pezzi speciali ad angolo BARA e BARIN oltre agli standard 90° e 135°.



Nelle tabelle seguenti è possibile vedere quali angoli BARA e BARIN sono disponibili con una angolazione speciale. Sono inoltre indicate le varianti disponibili nei colori speciali RAL.

### \* MyDesign by Schlüter-Systems

È possibile personalizzare il colore scegliendo tra 190 tonalità della gamma RAL Classic. Per maggiori dettagli consultare pag. 16.

#### Angolo speciale esterno

Schlüter-BARA-RAK\*  
 Schlüter-BARA-RAKE\*  
 Schlüter-BARA-RAKEG\*  
 Schlüter-BARA-RK\*  
 Schlüter-BARA-RKB\*  
 Schlüter-BARA-RKK\*  
 Schlüter-BARA-RKKE\*  
 Schlüter-BARA-RTC  
 Schlüter-BARA-RKL\*  
 Schlüter-BARA-RKLT  
 Schlüter-BARA-RTK  
 Schlüter-BARA-RTKE  
 Schlüter-BARA-RTKEG  
 Schlüter-BARIN-SR

#### Angolo speciale interno

Schlüter-BARA-RAK\*  
 Schlüter-BARA-RAKE\*  
 Schlüter-BARA-RAKEG\*  
 Schlüter-BARA-RK\*  
 Schlüter-BARA-RKB\*  
 Schlüter-BARA-RKK\*  
 Schlüter-BARA-RKKE\*  
 Schlüter-BARA-RKL\*  
 Schlüter-BARA-RKLT  
 Schlüter-BARA-RTK  
 Schlüter-BARA-RTKE  
 Schlüter-BARA-RTKEG  
 Schlüter-BARIN-SR

#### Consegna e prezzo:

Per ottenere il codice articolo con una angolazione speciale, sostituire "E/" o "I/" con "ESO/" o "ISO/" ai codici degli angoli standard BARA.

Per l'angolo standard BARIN, sostituire il grado standard nella parte centrale del codice articolo con un "SO" (ad esempio BSR4 EWG 90 / BW con BSR4 EWG SO / BW).

Se si desidera un angolo speciale in un colore RAL MyDesign, è sufficiente anteporre al codice articolo un "C/".

#### Esempi:

Angolo speciale BARA-RAK:

ESO / RAK 50 BW

Angolo speciale BARA-RAK in RAL:

C / ESO / RAK 50 A

Per determinare il prezzo dell'angolo individuale BARA o BARIN, è sufficiente aggiungere il 50% al prezzo dell'angolo standard corrispondente in 90°. Se l'angolo speciale è anche rivestito con un colore RAL MyDesign, il supplemento MyDesign B (= 7,28 CHF) sarà addebitato in aggiunta.

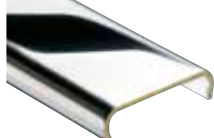
In caso di dubbi, il nostro rivenditore di zona vi potrà assistere nella composizione dell'ordine.



# Superficie metallica

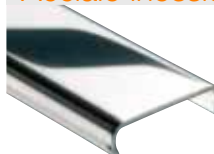
## Tutte le finiture a colpo d'occhio

### Ottone cromato

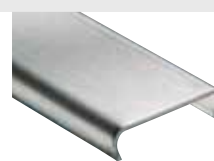


**MC**  
ottone cromato

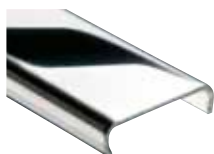
### Acciaio inossidabile



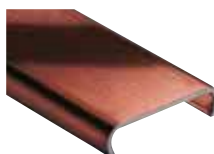
**E**  
acciaio inossidabile  
V2A Materiale n. 1.4301 = AISI 304  
V4A Materiale n. 1.4404 = AISI 316L



**EB**  
acciaio inossidabile  
spazzolato



**EP**  
acciaio inossidabile  
lucido



**EOB**  
acciaio inossidabile  
effetto bronzo  
levigato

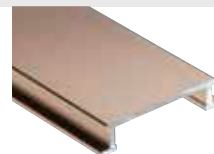
### Alluminio anodizzato



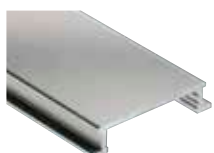
**AE**  
alluminio anodizzato



**AM**  
alluminio anodizzato  
effetto ottone

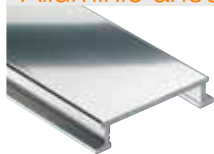


**AK**  
alluminio anodizzato  
effetto rame

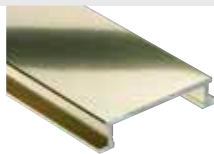


**AT**  
alluminio anodizzato  
effetto titanio

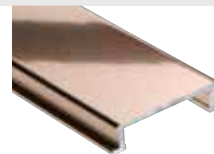
### Alluminio anodizzato lucido



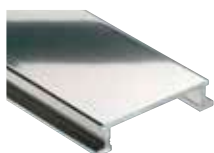
**ACG**  
alluminio anodizzato  
effetto cromato lucido



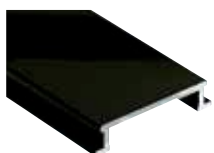
**AMG**  
alluminio anodizzato  
effetto ottone lucido



**AKG**  
alluminio anodizzato  
effetto rame lucido



**ATG**  
alluminio anodizzato  
effetto titanio lucido



**AGSG**  
alluminio anodizzato  
effetto nero lucido

### Altri materiali

**A**  
alluminio

**AC**  
alluminio colorato

**Z**  
zinc

**M**  
ottone

**K**  
rame

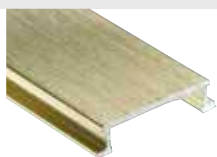
**P**  
PVC colorato

### Alluminio anodizzato spazzolato



**ACGB**

alluminio anodizzato  
effetto cromato  
spazzolato



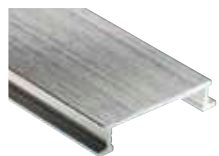
**AMGB**

alluminio anodizzato  
effetto ottone  
spazzolato



**AKGB**

alluminio anodizzato  
effetto rame  
spazzolato



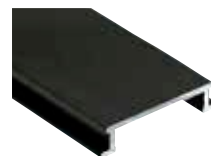
**ATGB**

alluminio anodizzato  
effetto titanio  
spazzolato



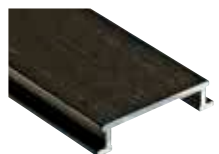
**AEEB**

alluminio anodizzato  
effetto acciaio inoss.  
spazzolato



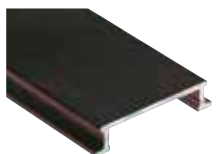
**AGRB**

alluminio anodizzato  
effetto grafite  
spazzolato



**AGSB**

alluminio anodizzato  
effetto nero grafite  
spazzolato



**ABGB**

alluminio anodizzato  
effetto bronzo  
antico spazzolato

### Alluminio anodizzato effetto textile



**AEX**

alluminio anodizzato  
effetto textile



**AMX**

alluminio anodizzato  
effetto ottone textile



**AQGQ**

alluminio anodizzato  
effetto grigio quarzo  
textile



**ATX**

alluminio anodizzato  
effetto titanio textile

### Alluminio / Acciaio con finitura a rilievo



**TSI**

con finitura a rilievo  
avorio



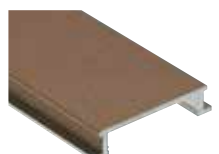
**TSC**

con finitura a rilievo  
sabbia



**TSBG**

con finitura a rilievo  
greige



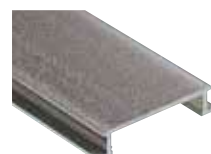
**TSB**

con finitura a rilievo  
beige



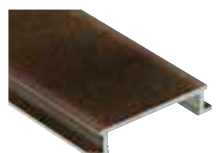
**TSSG**

con finitura a rilievo  
grigio sasso



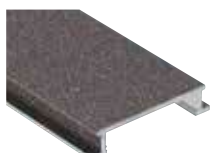
**TSG**

con finitura a rilievo  
grigio



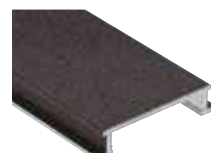
**TSOB**

con finitura a rilievo  
bronzo



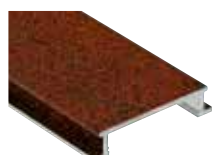
**TSLA**

con finitura a rilievo  
canna di fucile



**TSDA**

con finitura a rilievo  
antracite



**TSR**

con finitura a rilievo  
ruggine

**Nota:**

Per una migliore rappresentazione delle tipologie di finiture esistenti, le superfici vengono presentate come Schlüter-DESIGNLINE. Tuttavia, per l'effettiva disponibilità delle medesime, fare sempre riferimento al singolo prodotto. Nella stampa i colori potrebbero non riprodurre fedelmente l'originale.

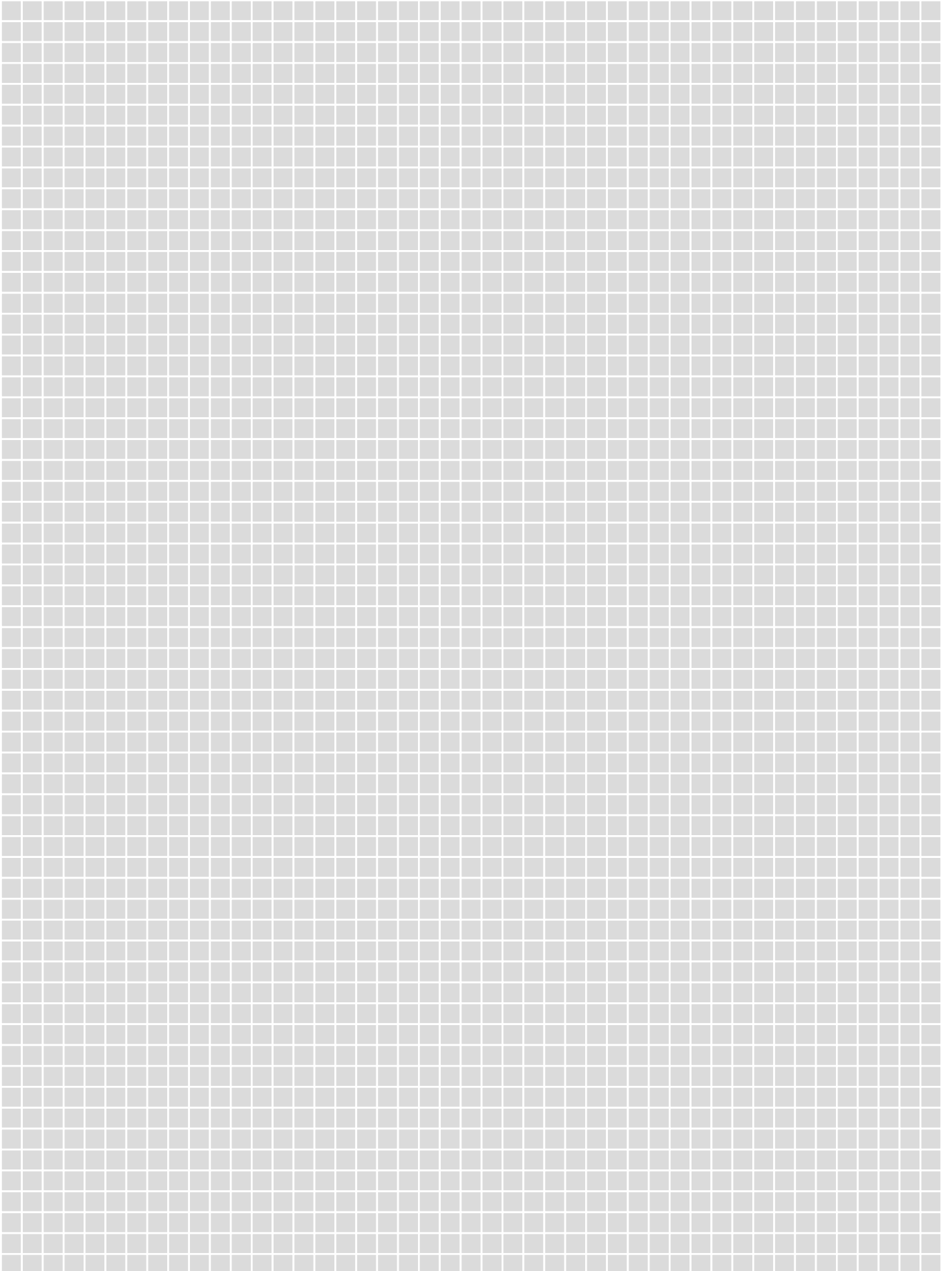


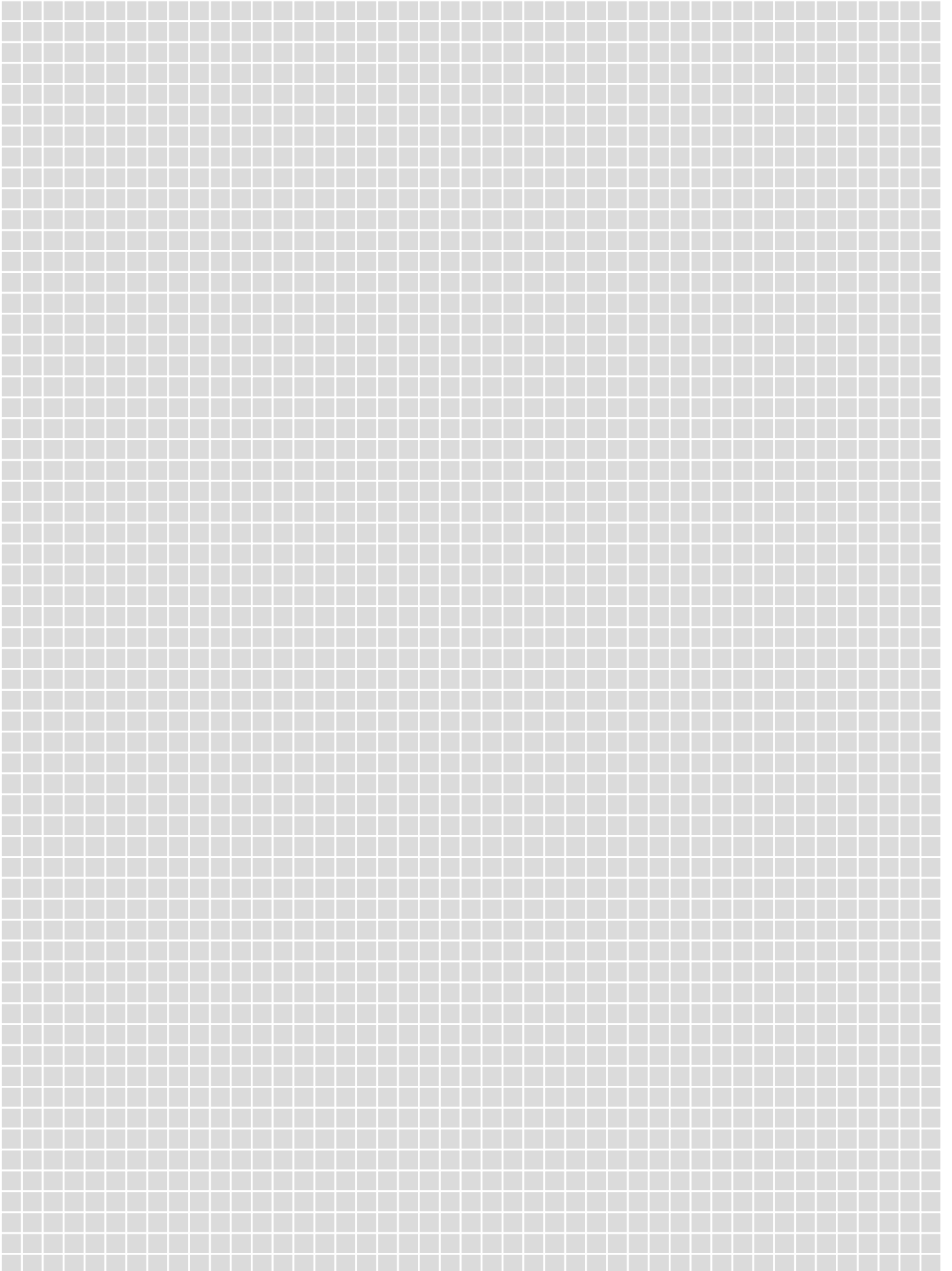
# Tabella colori

## Panoramica di tutti i colori

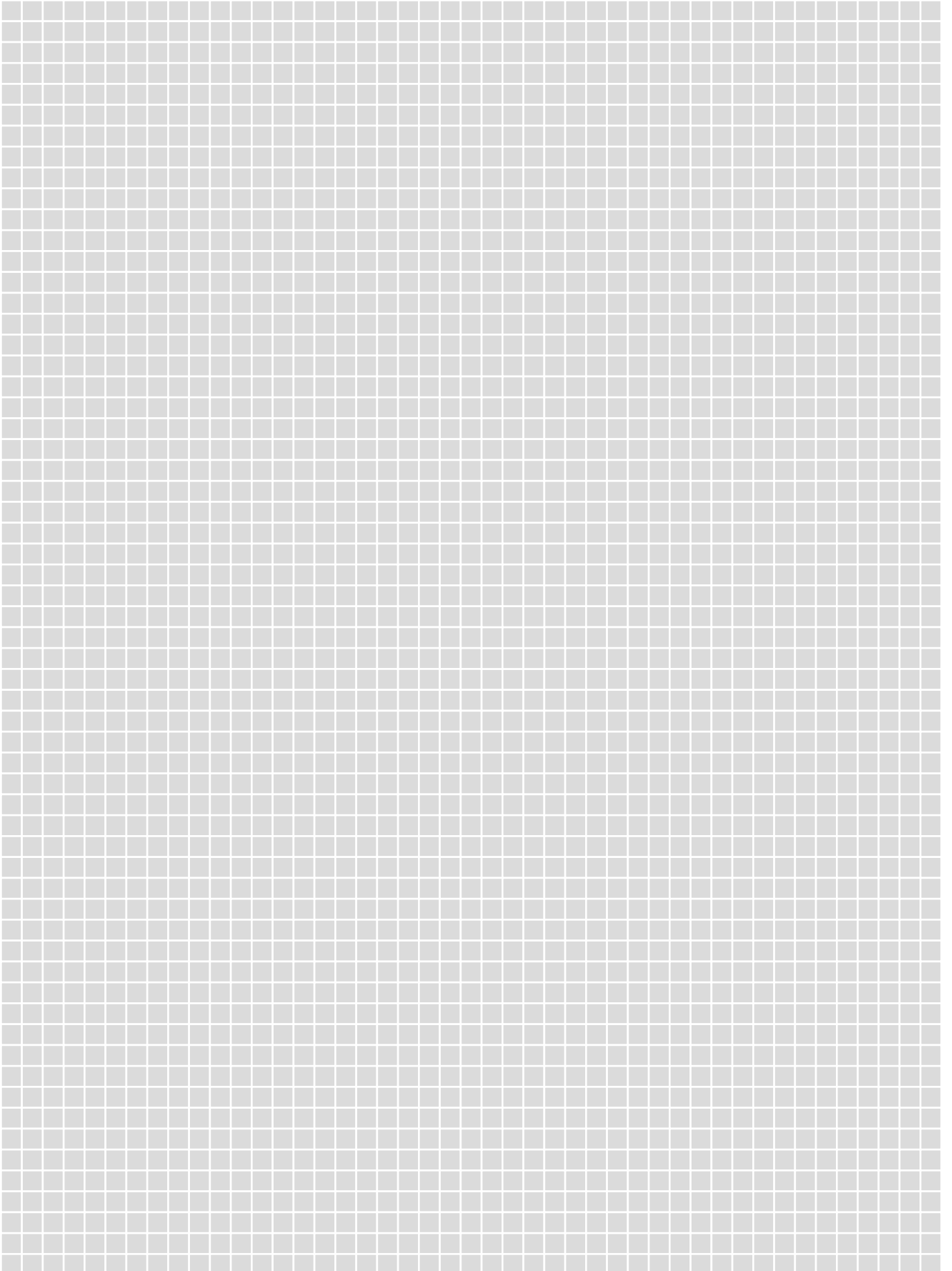
	<b>AG</b> grigio antracite		<b>GAE</b> grigio alluminio anodizzato		<b>QG</b> grigio quarzo
	<b>AP</b> albicocca		<b>GM</b> grigio metallo		<b>RB</b> castagno
	<b>BH</b> bahama		<b>GS</b> nero		<b>SB</b> testa di moro
	<b>BW</b> bianco segnale		<b>HB</b> beige chiaro		<b>SG</b> grigio pietra
	<b>C</b> crema		<b>HG</b> grigio chiaro		<b>SP</b> pesca chiaro
	<b>CA</b> caramello		<b>MBW</b> bianco matt finitura a rilievo		<b>T</b> grigio trasparente
	<b>CG</b> giallo		<b>MGS</b> nero matt finitura a rilievo		<b>VG</b> grigio asfalto
	<b>DA</b> antracite		<b>NB</b> nocciaola		<b>W</b> bianco puro
	<b>FG</b> grigio fuga		<b>PG</b> grigio pastello		<b>ZR</b> rosso klinker
	<b>G</b> grigio		<b>PW</b> bianco perla		

Nella stampa i colori potrebbero non riprodurre fedelmente l'originale.











# Legenda

## Innovazioni



Nuovo prodotto

## Individualizzazione



Prodotti MyDesign

## Campi di applicazione



Idoneo per l'impiego a pavimento in ambienti d'uso privato



Idoneo per l'impiego a parete, in interno



Riduce il rumore da calpestio

## Caratteristiche



Disponibile anche in lunghezza 3 m



Traforatura per "curvabilità" disponibile



Autoadesivo Peel & Stick



Griglia di pre-incisioni Easycut



Design Easyfill



Gestione via WiFi



Funzione comando vocale



Angolo speciale

### Unità di confezionamento

pal. = europallet

cassa = cassa

conf. = confezione

Per tutti i tipi di profili la confezione è composta da 10 pezzi.

crt. = cartone

R = rotolo

pz. = pezzi

### Dimensioni

H = Altezza

L = Lunghezza

B = Larghezza

T = Profondità

Per motivi tecnici, la lunghezza di 3 m non può essere consegnata tramite servizio espresso.

Il continuo sviluppo dei prodotti potrebbe determinare variazioni nelle foto, nei disegni e nelle descrizioni del presente catalogo.

Si prega di notare che in genere non ritiriamo prodotti personalizzati; i diritti di garanzia rimangono inalterati.

# Condizioni generali di vendita



Si applicano esclusivamente le nostre "Condizioni Generali di Vendita" che sono scaricabili nella versione attualmente in vigore da: [schlueter-systems.com/agb](https://schlueter-systems.com/agb) o che saremo lieti d'inviarvi su richiesta.



[schlueter-systems.com](https://schlueter-systems.com)





Soggetto all'applicazione delle condizioni generali di vendita di Schlüter-Systems KG.

Il presente listino sostituisce tutti i listini precedenti.

Il presente listino è valido salvo errori di stampa ed eventuali cambiamenti necessari per aggiornamenti tecnici o per motivi di approvvigionamento. La stampa dei riferimenti dei colori è da considerare indicativa.



**Schlüter-Systems KG**  Schmölestraße 7 | D-58640 Iserlohn

 +49 2371 971-0  +49 2371 971-1112  [export@schlueter.de](mailto:export@schlueter.de)  [schlueter-systems.com](https://schlueter-systems.com)